



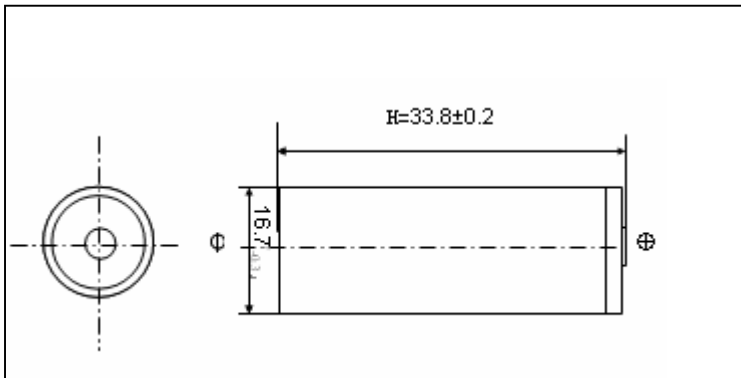
DB LECTRO LTD
COMPOSANTS ÉLECTRONIQUES
ELECTRONIC COMPONENTS

3.3V/400mAh



LIR123A

■ **Dimensions in mm(not to scale):**



■ **Specifications**

| Item | | Characteristics |
|---------------------------|-----------------------|-------------------------|
| Rated capacity | | 400mAh (0.2C Discharge) |
| Nominal voltage | | 3.20V |
| Internal impedance (1KHz) | | ≤250mΩ |
| Charge | Max Charge Current | 400mA |
| | Charge Limit Voltage | 3.85V |
| | Standard Charge | About 8h 0.5C |
| | Quick Charge | About 2.5h 1C |
| Discharge | Max Discharge Current | 800mA |
| | Terminal Voltage | 2.0V |
| Cycle Life | | 500 times 1C discharge |
| Dimension (mm) | | Φ16.7*33.8 |
| Weight | | 17.0±0.5g |
| Operation temp | Charge | 0~45℃ |
| | Discharge | -20~+60℃ |
| Storage tempp | <2 months | -20~+45℃ |
| | >6 months | -20~+35℃ |