
TRSL-8110WG / TRSL-8110BWG / TRSL-8110AWG (RoHS Compliant)
3.3V / 1310 nm / 4.25 Gbps Digital Diagnostic LC SFP SINGLE-MODE TRANSCEIVER

FEATURES

- | Up to 4.25 Gbps Bi-directional Data Links
- | Duplex LC Single Mode Transceiver
- | Fibre Channel FC-PI 400/200/100-SM-LC-L Compliant
- | IEEE 802.3z 1000BASE-LX Compliant
- | Small Form-Factor, RJ-45 size, 2×7 pin Package
- | **SFF-8472 Digital Diagnostic Function**
- | 1310 nm DFB LD Transmitter
- | AC/AC Coupling according to MSA
- | Up to 10 km at 1.063/2.125 Gbps, 5 km at 4.25 Gb/s
- | LVTTTL Transmitter Disable Input
- | LVTTTL Signal Detect Output
- | Single +3.3 V Power Supply
- | **RoHS Compliant**
- | 0 to 70°C Operating : TRSL-8110WG
- | -10 to 85°C Operating : TRSL-8110BWG
- | -40 to 85°C Operating : TRSL-8110AWG
- | Class 1 Laser International Safety Standard IEC-60825 Compliant

DESCRIPTION

The TRSL-8110WG series single mode transceiver is small form factor, low power, high performance module for bi-directional serial optical data communications such as 4x/2x/1x Fibre Channel and 1000BASE-LX Ethernet. This 2×7 pin SFF transceiver comply with the 2×5 standard package defined by the SFF MSA with the exception of four extra pins for real-time digital diagnostics and transmitter fault indication. Digital diagnostic functions are available via the 2-wire serial interface defined in the SFF-8472 MSA. This module is designed for single mode fiber and operates at a nominal wavelength of 1310 nm. The transmitter section uses a 1310 nm multiple quantum well DFB laser and is a class 1 laser compliant according to International Safety Standard IEC-60825. The receiver section uses an integrated InGaAs detector preamplifier (IDP) mounted in an optical header and a limiting post-amplifier IC.

APPLICATIONS

- | Tri-rate 1.063/2.125/4.25 Gb/s Fibre Channel
- | 1.25 Gb/s 1000 BASE-LX Ethernet

LASER SAFETY

This single mode transceiver is a Class 1 laser product. It complies with IEC-60825 and FDA 21 CFR 1040.10 and 1040.11. The transceiver must be operated within the specified temperature and voltage limits. The optical ports of the module shall be terminated with an optical connector or with a dust plug.

ORDER INFORMATION

P/No.	Bit Rate (Gb/s)	FC-PI	Distance (km)	Wavelength (nm)	Package	Temp. (°C)	TX Power (dBm)	RX Sens. (dBm)	RoHS Compliant
TRSL-8110WG	4 / 2 / 1	400/200/100	5/10*	1310 DFB	2×7 LC with DMI	0 to 70	-3 to -8	-18	Yes
TRSL-8110BWG	4 / 2 / 1	400/200/100	5/10*	1310 DFB	2×7 LC with DMI	-10 to 85	-3 to -8	-18	Yes
TRSL-8110AWG	4 / 2 / 1	400/200/100	5/10*	1310 DFB	2×7 LC with DMI	-40 to 85	-3 to -8	-18	Yes

*: 10km at 1.063/2.125/1.25 Gb/s and 5 km at 4.25Gb/s.

Absolute Maximum Ratings					
Parameter	Symbol	Min	Max	Units	Notes
Storage Temperature	Tstg	-40	85	°C	
Operating Temperature	Topr	-10	85	°C	TRSL-8110WG TRSL-8110BWG TRSL-8110AWG
Power Supply Voltage	Vcc	-0.5	3.6	V	

Recommended Operating Conditions					
Parameter	Symbol	Min	Typ	Max	Units / Notes
Power Supply Voltage	Vcc	3.13	3.3	3.47	V
Operating Temperature	Topr	0		70	°C / TRSL-8110WG
		-10		85	°C / TRSL-8110BWG
		-40		85	°C / TRSL-8110BWG
Power Supply Current	I _{CC(TX+RX)}		200	250	mA
Data Rate		1.0625		4.25	Gb/s

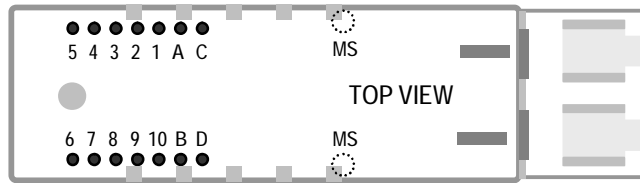
Transmitter Specifications (0°C < Topr < 70°C, 3.13V < Vcc < 3.47V)						
Parameter	Symbol	Min	Typ	Max	Units	Notes
Optical						
Optical Transmit Power	Po	-8	---	-3	dBm	1
Optical Modulation Amplitude@4.25Gb/s	OMA	290	---	---	μW	
Output Center Wavelength	λ	1260	1310	1360	nm	
Output Spectrum Width	Δλ	---		1	nm	-20 dB width
Side Mode Suppression Ratio	SMSR	30			dB	
Optical Rise / Fall Time (4.25Gb/s)	t _r / t _f			90	ps	20 % to 80%,unfiltered
Relative Intensity Noise	RIN			-118	dB/Hz	
Electrical						
Data Input Current – Low	I _{IL}	-350			μA	
Data Input Current – High	I _{IH}			350	μA	
Differential Input Voltage	V _{IH} - V _{IL}	0.5		2.4	V	Peak-to-Peak
TX Disable Input Voltage – Low	T _{DIS, L}	0		0.5	V	2
TX Disable Input Voltage – High	T _{DIS, H}	2.0		V _{cc}	V	2
TX Disable Assert Time	T _{ASSERT}			10	μs	
TX Disable Deassert Time	T _{DEASSERT}			1	ms	
TX Fault Output Voltage -- Low	T _{FaultL}	0		0.5	V	3
TX Fault Output Voltage -- High	T _{FaultH}	2.0		V _{cc} +0.3	V	3

1. Output power is power coupled into a 9/125 μm single mode fiber.
2. There is an internal 4.7K to 10K ohm pull-up resistor to VccTX.
3. Open collector compatible, 4.7K to 10K ohm pull-up to Vcc (Host Supply Voltage).

Receiver Specifications (0°C < Topr < 70°C, 3.13V < Vcc < 3.47V)						
Parameter	Symbol	Min	Typ	Max	Units	Notes
Optical						
Sensitivity @4.25Gb/s	SensI			29 -18	μW dBm	4 5
Maximum Input Power	Pin	0			dBm	
Signal Detect -- Asserted	Pa	---		-18	dBm	Transition: low to high
Signal Detect -- Deasserted	Pd	-30	---	---	dBm	Transition: high to low
Signal detect -- Hysteresis		1.0	---		dB	
Wavelength of Operation		1260	---	1600	nm	
Electrical						
Differential Output Voltage	V _{OH} - V _{OL}	0.6		2.0	V	
Output LOS Voltage -- Low	V _{OL}	0		0.5	V	6
Output LOS Voltage -- High	V _{OH}	2.0		V _{cc} +0.3	V	6

4. Measured at PRBS 2⁷-1 at BER 1E-12.
5. Represents sensitivity based on OMA spec, as corrected to incoming Extinction Ratio of 9 dB. For example, an OMA of 29 μW is approximately equal to an average power of -17.3 dBm, average with an Extinction ratio of 9 dB.
6. Open collector compatible, 4.7K to 10K ohm pull-up to Vcc (Host Supply Voltage).

CONNECTION DIAGRAM



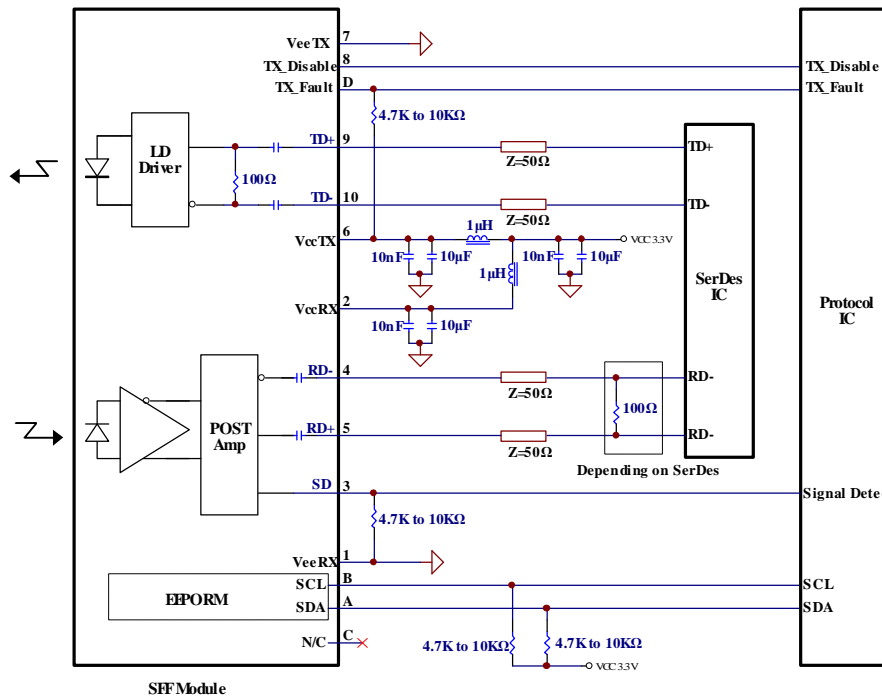
PIN	Signal Name	Description	PIN	Signal Name	Description
C	N/C	Not Connected	D	TX_Fault	Transmitter Fault Indication
A	SDA	Data line of two wire serial interface	B	SCL	Clock line of two wire serial interface
1	VeeRx	Rreceiver ground	10	TD-	Transmitter Data In Bar
2	VccRx	Receiver Power – 3.3V±5%	9	TD+	Transmitter Data In
3	SD	Signal Detect Output	8	TX_Disable	Logic low to enable TXoutput
4	RD-	Receiver Data Out Bar	7	VeeTx	Transmitter ground
5	RD+	Receiver Data Out	6	VccTx	Transmitter Power – 3.3V±5%
MS	MS	Mounting Studs. Connect to Chassis Ground			

Module Definition

Module Definition	MOD-DEF2 PIN A	MOD-DEF1 PIN B	MOD-DEF0	Interpretation by Host
4	SDA	SCL		Serial module definition protocol

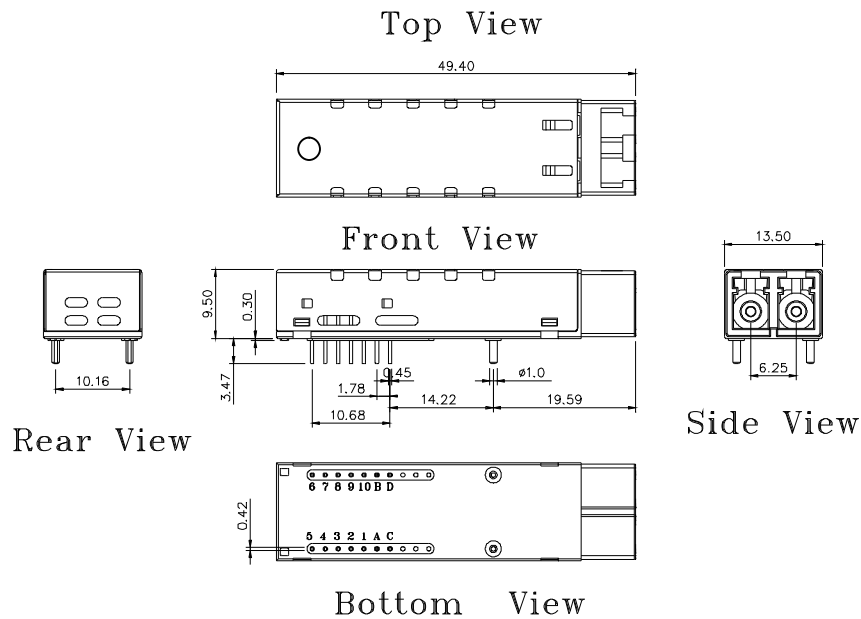
Module Definition 4 specifies a serial definition protocol. For this definition, upon power up, MOD-DEF(1:2) appear as no connector (NC) and MOD-DEF(0) is TTL LOW. When the host system detects this condition, it activates the serial protocol. The protocol uses the 2-wire serial CMOS E²PROM protocol of the ATMEL AT24C01A/02/04 family of components.

RECOMMENDED CIRCUIT SCHEMATIC



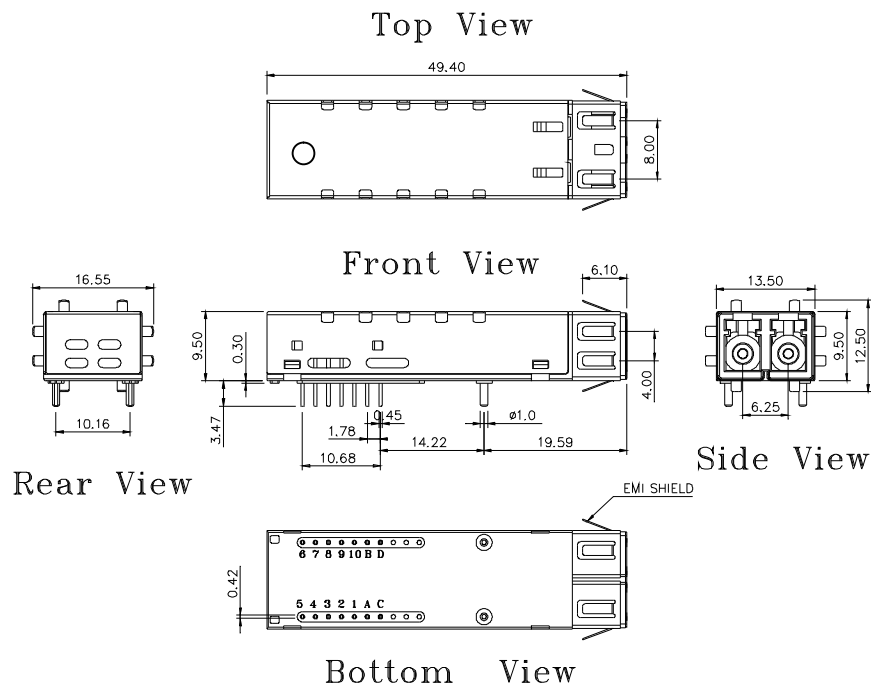
PACKAGE DIAGRAM (Units in mm)

A) Standard Case



TRSL-8110WG / TRSL-8110BWG / TRSL-8110AWG

B) Extended Case



TRSL-8110WEG / TRSL-8110BWEG / TRSL-8110AWEG

Note: Specifications subject to change without notice.