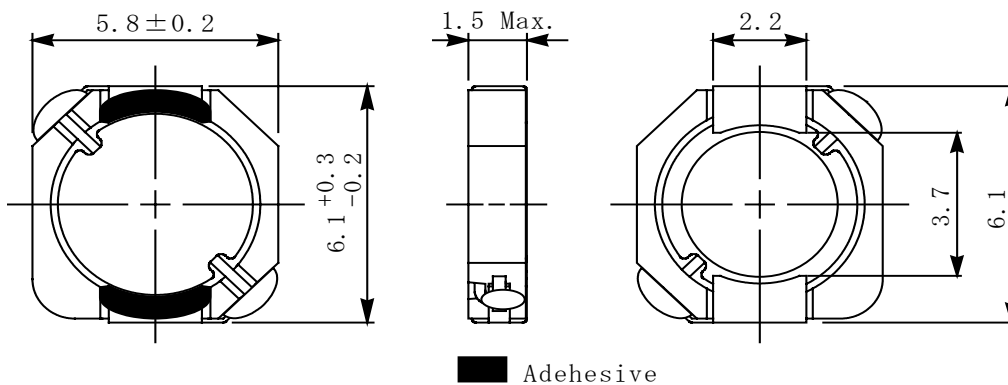
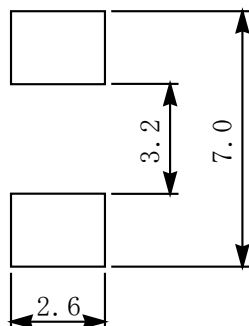
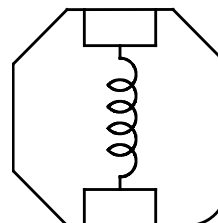


**Type: CDRH5D14/HP, CDRH5D14/LD, CDRH5D14**
**◆ Product Description**

- 6.4×6.0mm Max.(L×W), 1.5mm Max. Height.
- Low DCR type CDRH5D14/LD, High Power type CDRH5D14/HP and Standard type CDRH5D14 is available.
- Inductance range: 0.32~22 μ H(CDRH5D14/HP), 3.3~100 μ H(CDRH5D14/LD) 0.6~22 μ H (CDRH5D14)
- Rated current range: 0.61~4.4A(CDRH5D14/HP), 0.22~1.1A(CDRH5D14/LD) 0.63~3.9A(CDRH5D14)
- Custom design is available.


**◆ Feature**

- Magnetically shielded construction.
- Ideally used in Mobile phone, Notebook PC, MP3, PDA, HDD, DSC/DVC, Game machine etc as DC-DC Converter inductors.
- RoHS Compliance

**◆ Dimensions (mm)**

**◆ Land Pattern (mm)**

**◆ Schematics (Bottom)**


**Type: CDRH5D14/HP, CDRH5D14/LD, CDRH5D14**
**◆ Specification (CDRH5D14/HP)**

Part Name ※	Stamp	Inductance ( $\mu$ H) 100kHz/1V	D.C.R.(m $\Omega$ ) Max.(Typ.) (at 20°C)	Saturation Current (A) ※1		Temperature Rise Current (A) ※2
				(at 20°C)	(at 100°C)	
CDRH5D14HPNP-R32N□	R32	0.32 $\pm$ 30%	19.5(15)	6.4	5.0	4.4
CDRH5D14HPNP-R60N□	R60	0.6 $\pm$ 30%	22.5(18)	6.0	4.0	3.9
CDRH5D14HPNP-R90N□	R90	0.9 $\pm$ 30%	27.5(22)	5.0	3.2	3.5
CDRH5D14HPNP-1R4N□	1R4	1.4 $\pm$ 30%	40.3(32)	3.9	2.9	2.8
CDRH5D14HPNP-2R0N□	2R0	2.0 $\pm$ 30%	57.5(46)	3.2	2.4	2.3
CDRH5D14HPNP-3R3N□	3R3	3.3 $\pm$ 30%	96.5(77)	2.6	1.9	1.7
CDRH5D14HPNP-5R1N□	5R1	5.1 $\pm$ 30%	140(112)	2.0	1.5	1.4
CDRH5D14HPNP-7R5N□	7R5	7.5 $\pm$ 30%	210(168)	1.7	1.2	1.1
CDRH5D14HPNP-100N□	100	10 $\pm$ 30%	280(222)	1.4	1.1	0.94
CDRH5D14HPNP-120N□	120	12 $\pm$ 30%	345(275)	1.2	0.97	0.80
CDRH5D14HPNP-150N□	150	15 $\pm$ 30%	448(358)	1.1	0.85	0.70
CDRH5D14HPNP-220N□	220	22 $\pm$ 30%	670(536)	0.96	0.72	0.61

**◆ Specification (CDRH5D14/LD)**

Part Name ※	Stamp	Inductance ( $\mu$ H) 100kHz/1V	D.C.R.(m $\Omega$ ) Max.(Typ.) (at 20°C)	Saturation Current (A) ※1		Temperature Rise Current (A) ※2
				(at 20°C)	(at100°C)	
CDRH5D14LDNP-3R3N□	3R3	3.3 $\pm$ 25%	47(38)	1.10	820m	2.70
CDRH5D14LDNP-4R7N□	4R7	4.7 $\pm$ 25%	60(48)	1.00	750m	2.25
CDRH5D14LDNP-6R8N□	6R8	6.8 $\pm$ 25%	82(66)	780m	580m	2.00
CDRH5D14LDNP-100M□	100	10 $\pm$ 20%	106(85)	680m	510m	1.95
CDRH5D14LDNP-150M□	150	15 $\pm$ 20%	158(127)	550m	410m	1.22
CDRH5D14LDNP-220M□	220	22 $\pm$ 20%	220(180)	440m	330m	1.13
CDRH5D14LDNP-330M□	330	33 $\pm$ 20%	380(310)	370m	280m	780m
CDRH5D14LDNP-470M□	470	47 $\pm$ 20%	500(400)	320m	250m	700m
CDRH5D14LDNP-680M□	680	68 $\pm$ 20%	770(620)	270m	210m	530m
CDRH5D14LDNP-101M□	101	100 $\pm$ 20%	1050(840)	220m	160m	450m

**Type: CDRH5D14/HP, CDRH5D14/LD, CDRH5D14**
**◆ Specification (CDRH5D14)**

Part Name ※	Stamp	Inductance ( $\mu$ H) 100kHz/1V	D.C.R.(m $\Omega$ ) Max.(Typ.) (at 20°C)	Saturation Current (A) ※1		Temperature Rise Current (A) ※2
				(at 20°C)	(at 100°C)	
CDRH5D14NP-R60N□	R60	0.6±30%	22.7(18)	4.5	2.8	3.9
CDRH5D14NP-1R0N□	1R0	1.0±30%	25.6(20)	3.3	2.3	3.6
CDRH5D14NP-1R4N□	1R4	1.4±30%	27.5(22)	2.8	2.0	3.5
CDRH5D14NP-2R0N□	2R0	2.0±30%	33.8(27)	2.4	1.6	3.1
CDRH5D14NP-3R3N□	3R3	3.3±30%	53.7(43)	1.9	1.3	2.4
CDRH5D14NP-3R9N□	3R9	3.9±30%	65.0(52)	1.7	1.2	2.1
CDRH5D14NP-5R1N□	5R1	5.1±30%	77.2(62)	1.5	1.0	1.9
CDRH5D14NP-6R8N□	6R8	6.8±30%	110(89)	1.3	0.88	1.5
CDRH5D14NP-100N□	100	10±30%	148(115)	1.1	0.72	1.3
CDRH5D14NP-120N□	120	12±30%	210(165)	0.92	0.63	1.1
CDRH5D14NP-150P□	150	15±25%	230(185)	0.85	0.54	1.0
CDRH5D14NP-220P□	220	22±25%	384(306)	0.63	0.47	0.8

**※ Description Of Part Name**

CDRH5D14NP-R60N□

- B Box
- C Carrier Tape

※1. Saturation current: The DC current at which the inductance decreases to 70% of its nominal value.

※2. Temperature rise current: The DC current at which the temperature rise is  $\Delta t=40^{\circ}\text{C}$  ( $T_a=20^{\circ}\text{C}$ ).