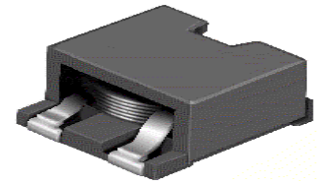
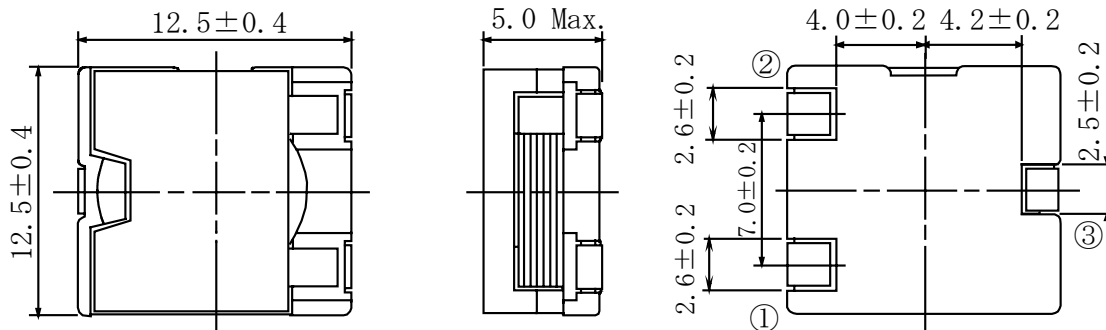
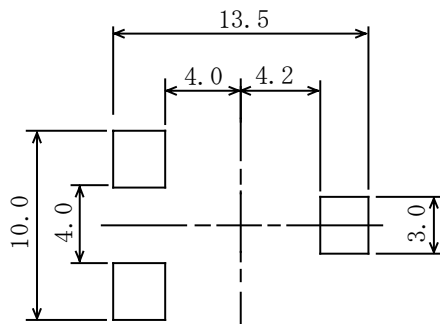
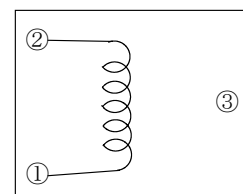


Type: CEP124
Product Description

- 12.9 × 12.9 mm Max.(L × W), 5.0mm Max. Height.
- Standard type and High Power Type are available.
- Inductance Range: 0.68 ~ 4.0 μ H (standard type);
0.35 ~ 2.2 μ H (High Power type).
- Saturation Current range: 8.8 ~ 20.8 A (Standard type);
16.2 ~ 38.4A (High Power type).
- Temperature rise current 12.6 ~ 18.4A
- Custom design is available.


◆ Feature

- Magnetically shielded construction.
- Super high current, Mn-Zn core used, Flat wire used.
- Ideally used in computer CPU power supply.
- RoHS Compliance

◆ Dimensions (mm)

◆ Land Pattern (mm)

◆ Schematics (Bottom)


Type: CEP124
◆ Specification
1. High Power Type

Part Name	Stamp	Inductance (μ H) 100kHz/1V	D.C.R. ($m\Omega$) Max.(Typ.) (20°C)	Saturation Current (A) ※1		Temperature Rise Current (A) ※2
				(20°C)	(100°C)	
CEP124NP-R35MC-H	R35MH	0.35 \pm 20%	1.6(1.3)	38.4	32.4	18.4
CEP124NP-0R8MC-H	0R8MH	0.80 \pm 20%	2.4(2.0)	28.8	21.0	17.8
CEP124NP-1R4MC-H	1R4MH	1.40 \pm 20%	4.2(3.5)	20.6	15.7	13.8
CEP124NP-2R2MC-H	2R2MH	2.20 \pm 20%	7.6(6.3)	16.2	13.4	12.6

2. Standard Type

Part Name	Stamp	Inductance (μ H) 100kHz/1V	D.C.R. ($m\Omega$) Max.(Typ.) (20°C)	Saturation Current (A) ※1		Temperature Rise Current (A) ※2
				(20°C)	(100°C)	
CEP124NP-R68MC	R68MC	0.68 \pm 20%	1.6(1.3)	20.8	17.0	18.4
CEP124NP-1R5MC	1R5MC	1.50 \pm 20%	2.4(2.0)	14.2	11.5	17.8
CEP124NP-2R7MC	2R7MC	2.70 \pm 20%	4.2(3.5)	10.6	8.2	13.8
CEP124NP-4R0MC	4R0MC	4.00 \pm 20%	7.6(6.3)	8.8	7.0	12.6

※1 Saturation Current: The DC current at which the inductance decreases to 75% of its nominal value.

※2 Temperature Rise Current: The DC current at which the temperature rise is $\Delta t=40^{\circ}\text{C}$. ($T_a=20^{\circ}\text{C}$)