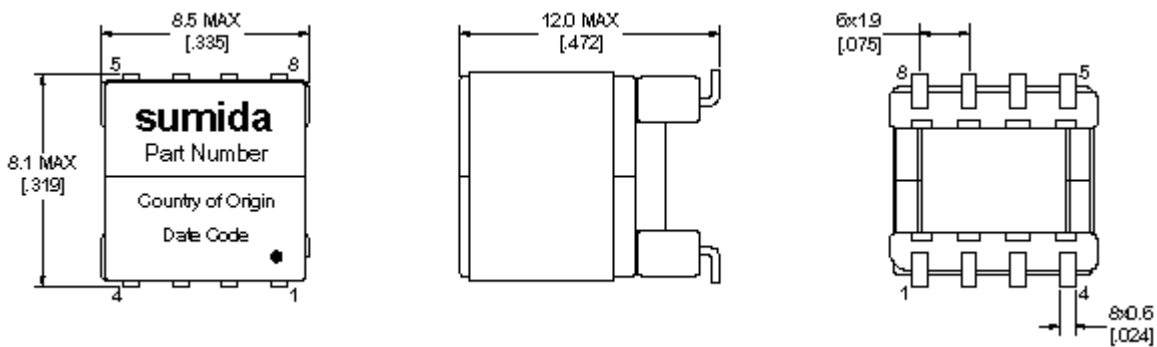
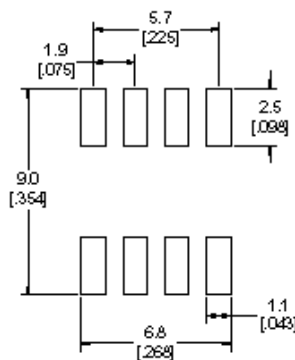
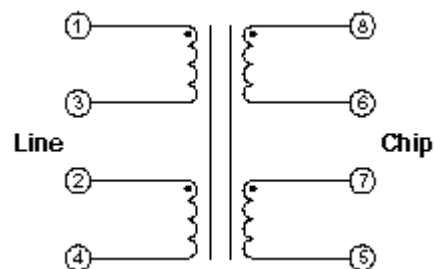


Type: CEP711
◆ Product Description

- 8.5×8.1mm Max. (L×W), 12.0mm Max. height.
- In addition to the typical versions of parameters shown here, custom parameters are available to meet your exact requirement.


◆ Feature

- VDSL line transformer.
- Ideally used in VDSL2 CO equipments.
- Approved by Broadcom and Conexant.
- RoHS Compliance

◆ Dimensions (mm)

◆ Land Pattern (mm)

◆ Schematics (Bottom)

◆ Specification

| Part No. | Inductance (μ H) | Turns ratio | THD (dB) (TYP.) | Insulation | Application |
|----------|--------------------------|-------------|------------------|------------|-------------|
| J10200 | 1090 \pm 10% | 0.90:1 | -75dB(25K, 2.0V) | basic | VDSL2 CO |
| J10208 | 420 \pm 10% | 1.2:1 | -80dB(30K, 1.4V) | basic | VDSL2 CO |