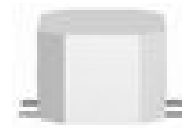
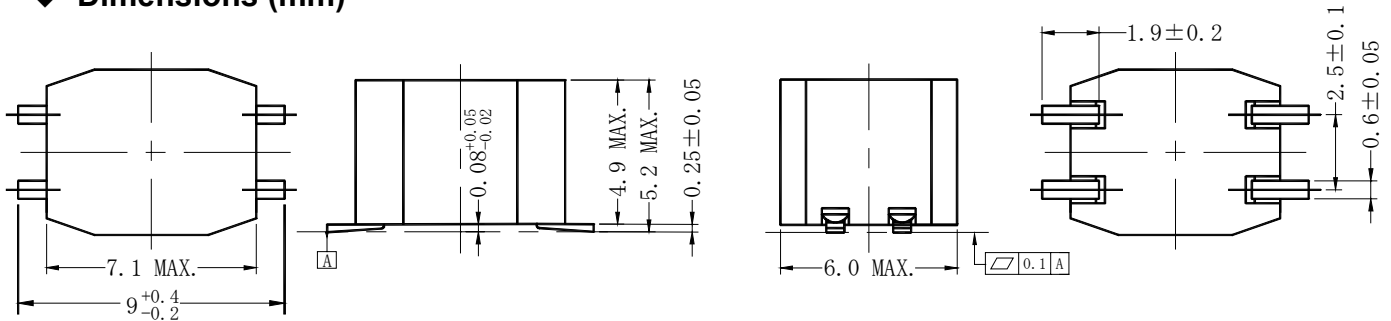
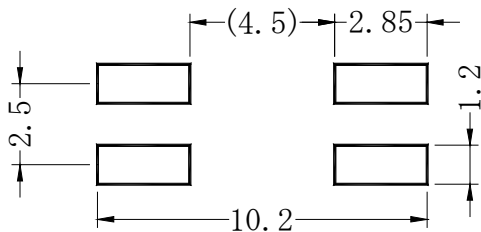
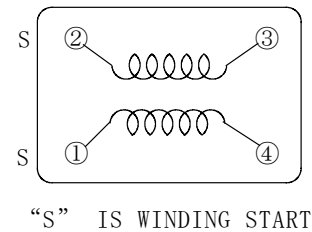


Type: CPFC75
◆ Product Description

- 7.1×6.0mm Max.(L×W), 5.2mm Max. Height .
- In addition to the typical versions of parameters shown here, custom parameters are available to meet your exact requirements


◆ Feature

- Ideally used in AV, consumer equipment.
- Suppression of asymmetrical and symmetrical interference coupled in on lines.
- RoHS Compliance

◆ Dimensions (mm)

◆ Land Pattern(mm)

◆ Schematics (Bottom)

◆ Specification

Part No.	Inductance (uH)	Ls (nH)	I _R (mA)	D.C.R (mΩ)	Hipot DC 2s
CPFC75-050C	5	50	1000	100	250
CPFC75-110C	11	50	500	120	250
CPFC75-250C	25	150	500	130	250
CPFC75-250S	25	1500	500	130	250
CPFC75-510C	51	200	500	160	250
CPFC75-510S	51	2000	500	160	250
CPFC75-471C	470	200	500	200	750
CPFC75-102C	1000	250	500	200	750
CPFC75-222C	2200	250	400	400	750
CPFC75-472C	4700	300	200	550	750

Remark: Inductance tolerance: ≤470uH ± 30% , >470uH $\begin{matrix} +50\% \\ -30\% \end{matrix}$