

**Type: CR32**

**Product Description**

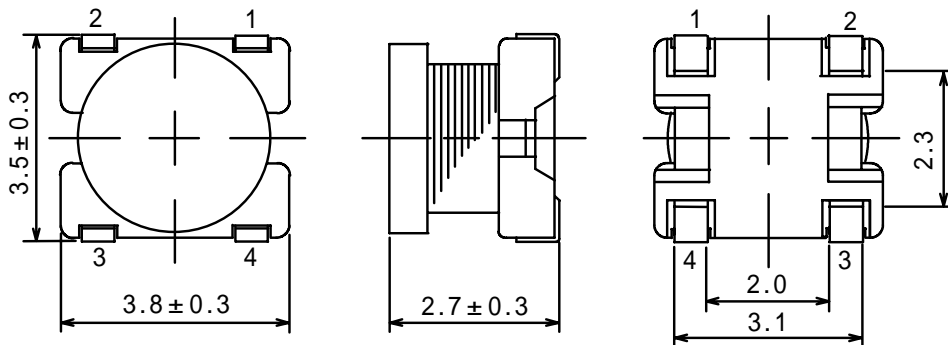
- 4.1 × 3.8mm Max.(L × W), 3.0mm Max. Height.
- Inductance Range: 1.0 ~ 390 μ H
- Rated current range:115mA ~ 2.1A
- In addition to the standard versions of inductors shown here, custom inductors are available to meet your exact requirements.



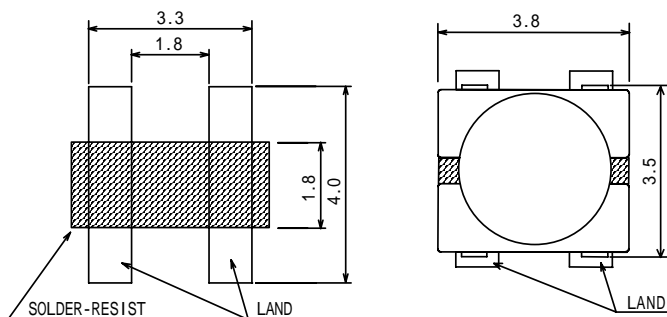
**Feature**

- Magnetically unshielded construction.
- Ideally used in A/V equipment, LCD TV,DSC/DVC,Game Machine, DVC, HDD, Notebook PC, etc as DC-DC Converter inductors.
- RoHS Compliance

**Dimensions (mm)**



**Land Pattern (mm)**



**Schematics (Bottom)**

