

**UNDER DEVELOPMENT**

Type: WCDRH25D18

**Product Description**

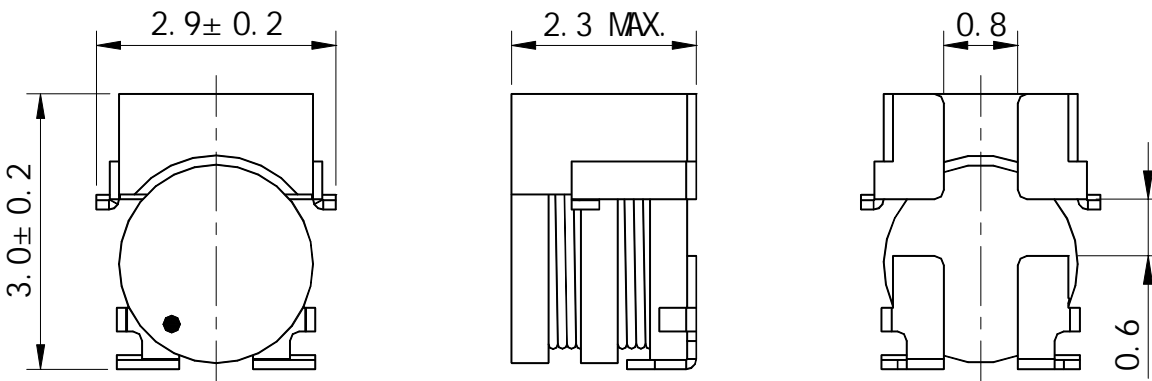
- 3.2x3.1mm Max.(LxW), 2.3mm Max. Height.
- Inductance Range: 3.3 ~ 5.6μH
- Rated current range: 0.38 ~ 0.63A
- Customer design is available.



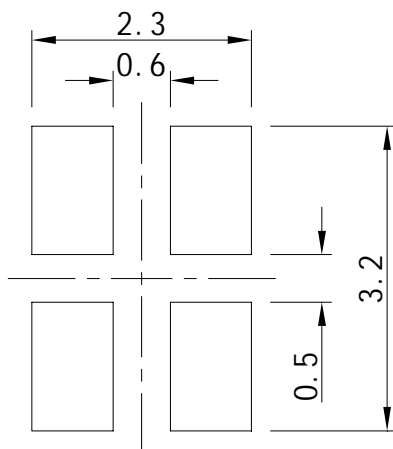
**Feature**

- Magnetically shielded construction.
- Ideally used in MP3 and other portable devices.
- RoHS Compliance

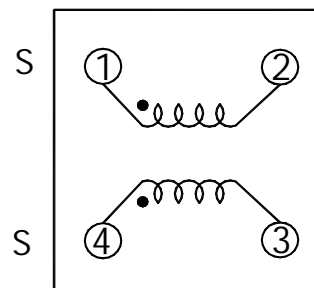
**Dimensions(mm)**



**Land Pattern (mm)**



**Schematics (Bottom)**



**Type: WCDRH25D18**
**Specification**

Part Number	Stamp	Inductance ( $\mu$ H) (1-2);(3-4) 1	DCR (m $\Omega$ ) (1-2);(3-4)	D.C Saturation Current (A) 2	Temperature Rise Current (A) 3
WCDRH25D18NP-3R3N	A	3.3 $\pm$ 30%	220 $\pm$ 20%	1.12(1.39)	0.63(0.72)
WCDRH25D18NP-4R7N	B	4.7 $\pm$ 30%	310 $\pm$ 20%	0.75(0.94)	0.47(0.53)
WCDRH25D18NP-5R6N	C	5.6 $\pm$ 30%	440 $\pm$ 20%	0.68(0.85)	0.38(0.43)

**Description of part name**

WCDRH25D18NP-3R3N

	B	Box
	C	Carrier Tape

1. Measuring frequency at 100kHz, 1.0V.
2. This indicates the value of current when the inductance decreases to 70% of the nominal value.
3. Temperature rise current: the value of DC current when the temperature rise is  $t = 40$  ( $T_a = 20$ ).

THIS SPEC IS NOT THE FINAL REVISION, AND SOME PARTS MAY BE CHANGED BEFORE PRODUCTION.