

0.50mm

(0.02") PITCH CONNECTOR

FPC/FFC Connectors

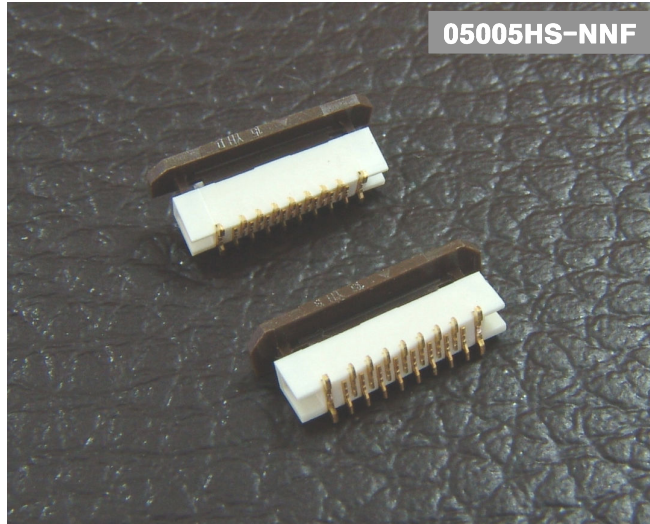
Housing

Emboss Type

SMT Type

Vertical Type

ZIF Type



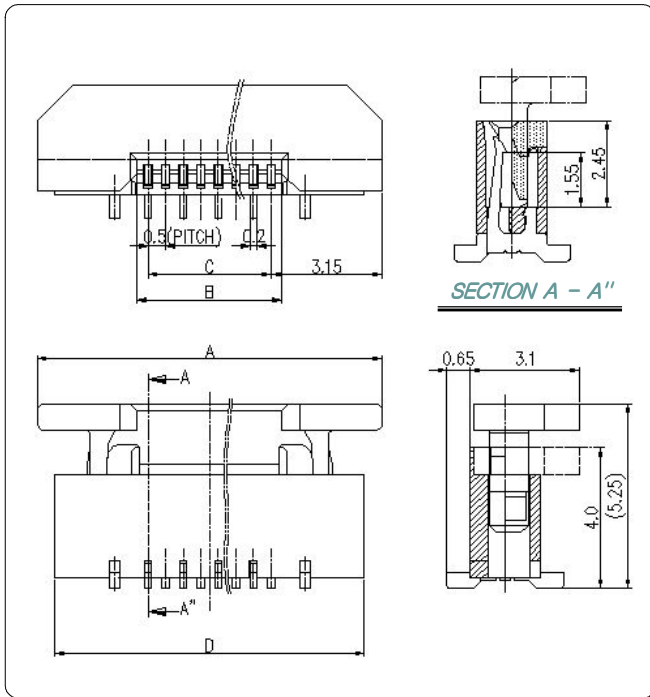
05005HS-NNF

Material

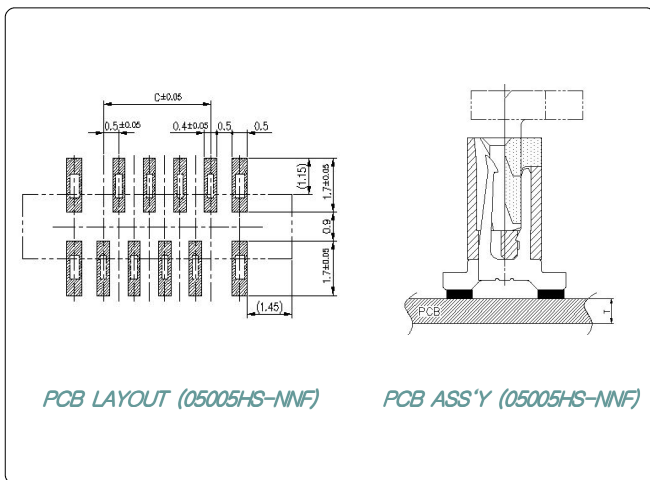
I/NO	DESCRIPTION	MATERIAL
1	HOUSING	PA46
2	ACTUATOR	PPS
3	TERMINAL	Phosphor Bronze, Au-plated
4	HOOK	Phosphor Bronze, Au-plated

Available Pin

PARTS NO.	A	B	C	D
05005HS-15F	14.0	8.00	7.00	12.3
05005HS-16F	14.5	8.50	7.50	12.8
05005HS-17F	15.0	9.00	8.00	13.3
05005HS-18F	15.5	9.50	8.50	13.8
05005HS-19F	16.0	10.0	9.00	14.3
05005HS-20F	16.5	10.5	9.50	14.8
05005HS-21F	17.0	11.0	10.0	15.3
05005HS-22F	17.5	11.5	10.5	15.8
05005HS-23F	18.0	12.0	11.0	16.3
05005HS-24F	18.5	12.5	11.5	16.8
05005HS-25F	19.0	13.0	12.0	17.3
05005HS-26F	19.5	13.5	12.5	17.8
05005HS-27F	20.0	14.0	13.0	18.3
05005HS-28F	20.5	14.5	13.5	18.8
05005HS-29F	21.0	15.0	14.0	19.3
05005HS-30F	21.5	15.5	14.5	19.8
05005HS-40F	26.5	20.5	19.5	24.8
05005HS-50F	31.5	25.5	24.5	29.8



SECTION A - A''



PCB LAYOUT (05005HS-NNF)

PCB ASS'Y (05005HS-NNF)

Specification

ITEM	SPEC
Voltage Rating	AC/DC 50V
Current Rating	AC/DC 0.5A
Operating Temperature	-25°C ~ +85°C
Contact Resistance	30mΩ MAX
Withstanding Voltage	AC250V/1min
Insulation Resistance	100MΩ MIN
Applicable Wire	-
Applicable P.C.B	0.8 ~ 1.6mm
Applicable FPC/FFC	0.30±0.02mm
Solder Height	0.15mm
Crimp Tensile Strength	-
UL FILE NO	-