

QUADRATURE HYBRID MODEL DQK-702S

OCTAVE BANDWIDTH

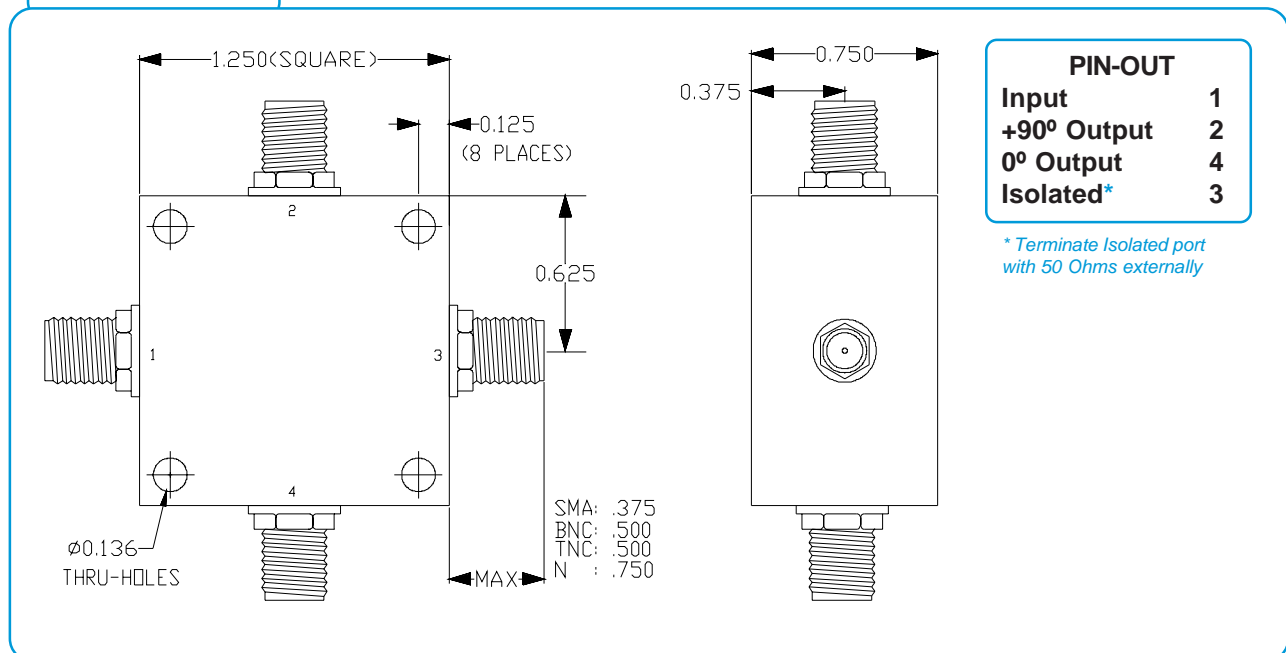
40 - 80 MHz

SPECIFICATIONS

Operating Frequency:	40 - 80 MHz	Phase Unbalance:	1° (Typ)/ 3° (Max)
Insertion Loss:	0.3 dB (Typ)/0.6 dB (Max)	VSWR :	1.1:1 (Max)
Isolation:	25 dB (Typ)/20 dB (Min)	Power Rating:	1 Watt (Max)
Amplitude Unbalance:	0.4 dB (Typ)/0.75 dB (Max)	Impedance:	50 Ohms
		Operating Temp. Range:	-55° to +100°C



MECHANICAL OUTLINE: 113

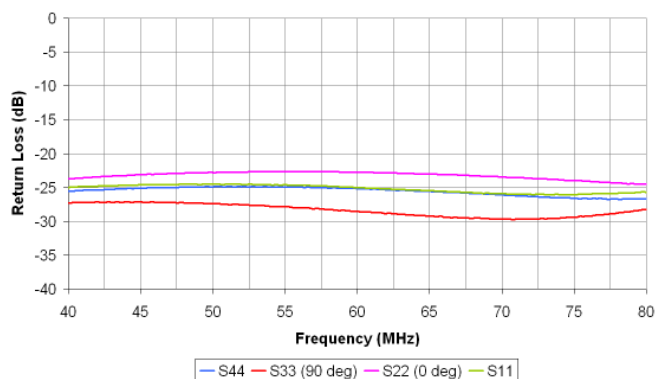
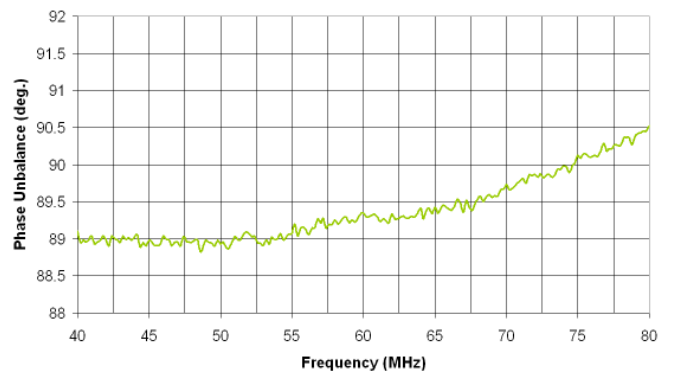
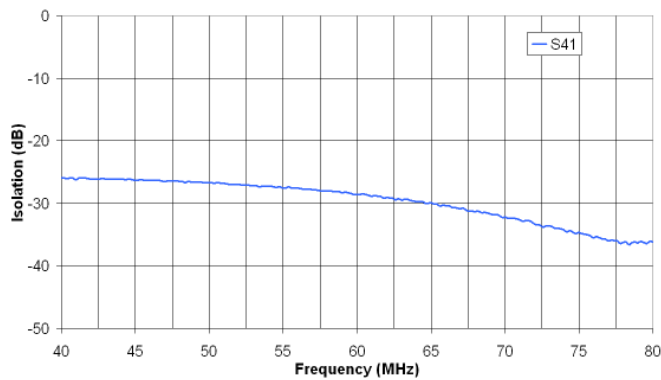
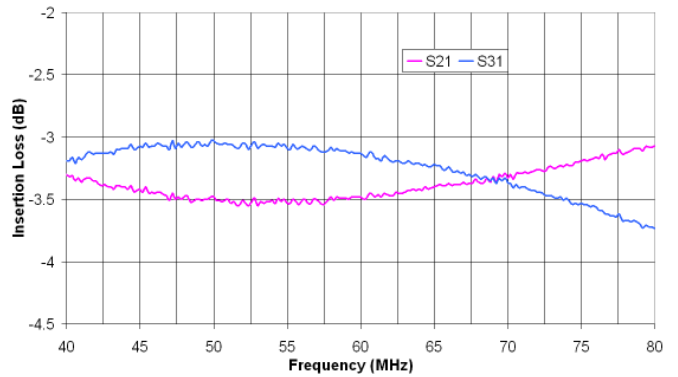
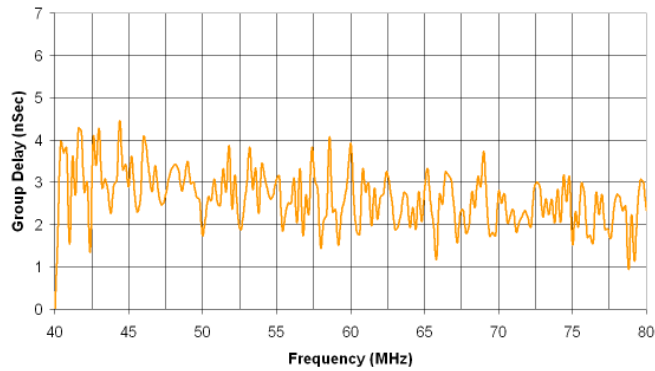


QUADRATURE HYBRID MODEL DQK-702S

OCTAVE BANDWIDTH

40 - 80 MHz

PERFORMANCE PLOTS



QUADRATURE HYBRID MODEL DQK-702S

OCTAVE BANDWIDTH

40 - 80 MHz

SPECIFICATION SHEET REVISION RECORD

REV.	DESCRIPTION OF CHANGE	ORIGINATOR	DATE
"			