

QUADRATURE HYBRID MODEL DQP-302

WIDE BANDWIDTH

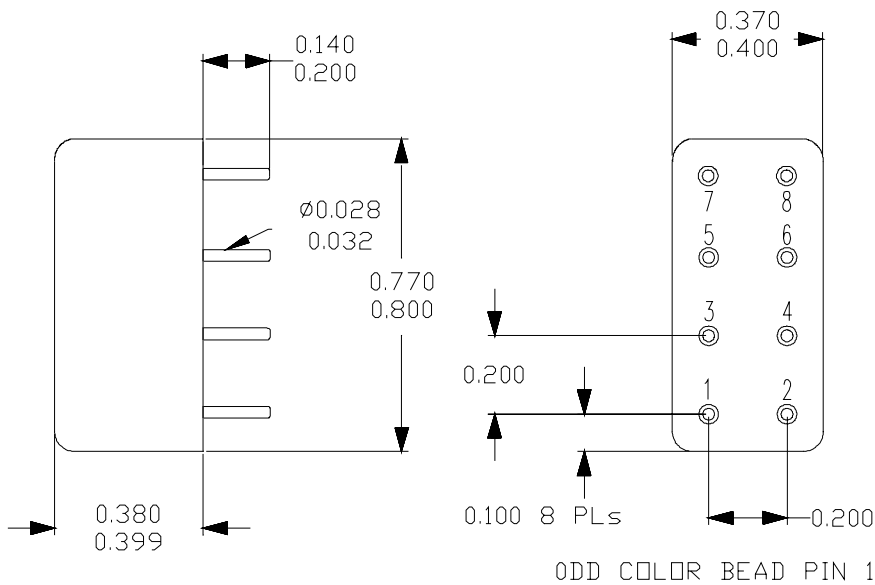
20 - 60 MHz

SPECIFICATIONS

Operating Frequency:	20 - 60 MHz	Phase Unbalance:	1.0° (Typ)/ 3.0° (Max)
Insertion Loss:	0.3 dB (Typ) / 0.5 dB (Max)	VSWR:	1.3:1 (Max)
Isolation:	23 dB (Typ)/20 dB (Min)	Power Rating	1 Watt (Max)
Amplitude Unbalance:	0.8 dB (Typ) / 1.0 dB (Max)	Impedance:	50 Ohms
		Operating Temp. Range:	-55° to +85°C



MECHANICAL OUTLINE:102



PIN-OUT	
INPUT	1
+90° OUTPUT	6
0° OUTPUT	2
ISOLATED*	5
External GND	3,4,7,8

* Terminate ISOLATED port with 50 ohms.

QUADRATURE HYBRID MODEL DQP-302

WIDE BANDWIDTH

20 - 60 MHz

PERFORMANCE PLOTS

