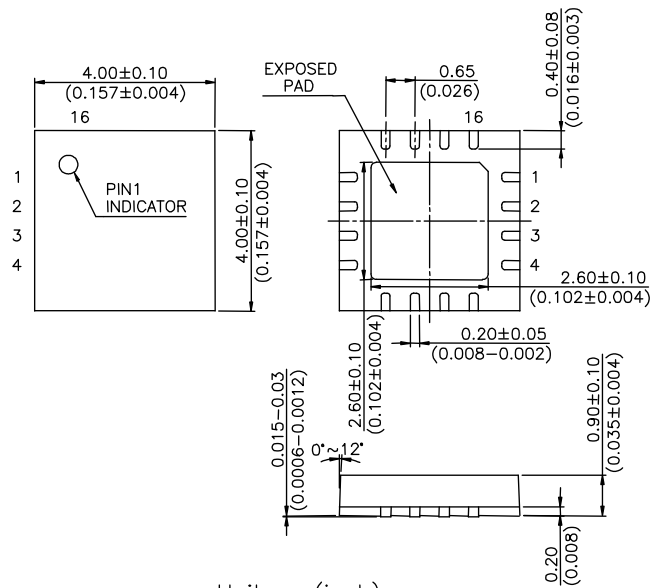


**Features**

- **Combination of 1 DPDT and 2 SPDT switches**
- **Low Insertion Loss** : 1.30dB @ 2.50GHz  
1.55dB @ 5.85GHz
- **Isolation**: 26dB @ 2.50GHz  
19dB @ 5.85GHz
- **Flexible selection of 2.5/5.8GHz Tx/Rx ports**
- **Low DC Power Consumption**
- **Miniature QFN16L (4x4 mm) Plastic Package**
- **PHEMT Process**
- **Different Logic Version of HWS379**

**QFN16L (4 x 4 mm)**


Unit:mm(inch)

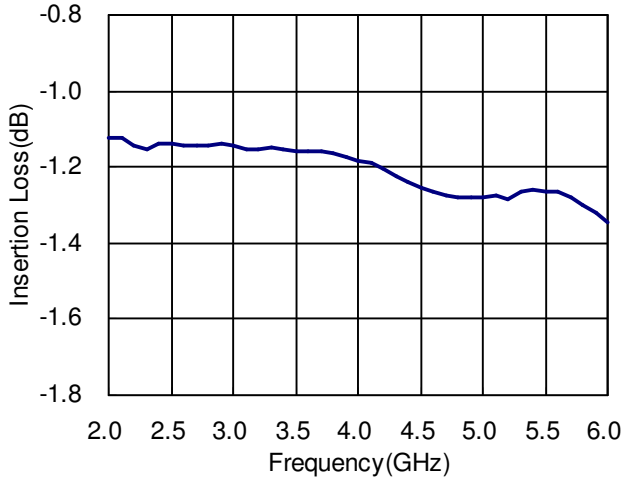
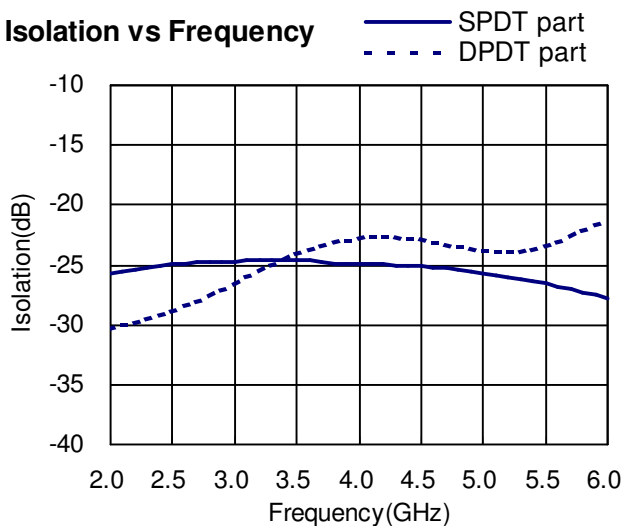
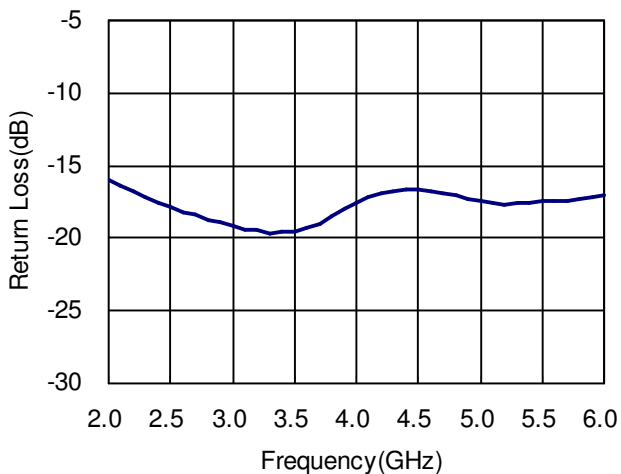
**Description**

The HWS419 is a GaAs PHEMT MMIC DP4T switch operating at DC-6GHz in a low cost miniature QFN16L (4 x 4 mm) plastic package. The HWS419 combines one DPDT switch and two SPDT switches in a single IC and features low insertion loss and high isolation with very low DC power consumption. This switch can be used in IEEE 802.11a/b/g WLAN systems for combination of transmit/receive and antenna diversity functions. Two antenna ports can be selected for antenna diversity function and four RF ports can be arbitrary chosen for 2.5GHz band or 5.85GHz band as transmit/receive functions.

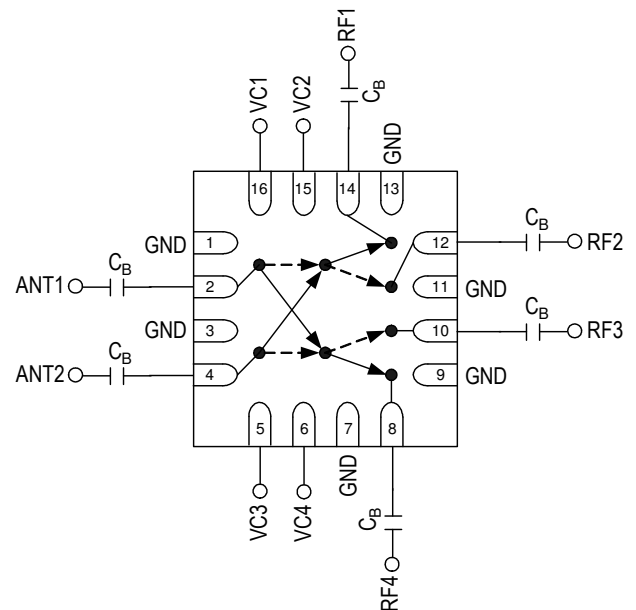
**Electrical Specifications at 25 °C with 0, +3V Control Voltages**

Parameter	Test Conditions	Min.	Typ.	Max.	Unit
Insertion Loss ANT ports to RF ports	0.01-6.00 GHz		1.60		dB
	2.40-2.50GHz		1.30	1.50	dB
	5.15-5.85GHz		1.55	1.85	dB
Isolation (SPDT part) Ex: ANT1 to RF2 when ANT1 to RF1 on	0.01-6.00 GHz		25		dB
	2.40-2.50GHz		26		dB
	5.15-5.85GHz	24	27		dB
Isolation (DPDT part) Ex: ANT2 to RF1 when ANT1 to RF1 on	0.01-6.00 GHz		19		dB
	2.40-2.50GHz		27		dB
	5.15-5.85GHz	17	19		dB
Return Loss	0.01-6.00 GHz		12		dB
	2.40-2.50GHz		20		dB
	5.15-5.85GHz		15		dB
Input Power for One dB Compression	2.00-6.00GHz @0/+3.0V		30		dBm
Control Current			30	300	μA

Note: All measurements made in a 50 ohm system with 0/+3.0V control voltages, unless otherwise specified.

**Typical Performance Data with 8pF Capacitors @ +25°C**
**Insertion Loss vs Frequency**

**Isolation vs Frequency**

**Return Loss vs Frequency**

**Absolute Maximum Ratings**

Parameter	Absolute Maximum
RF Input Power	+32dBm @ +3V
Control Voltage	+6V
Operating Temperature	-40°C to +85°C
Storage Temperature	-65°C to +150°C

**Pin Out (Top View)**

**Note:**

- DC blocking capacitors  $C_B=8\text{pF}$  are required on all RF ports.
- Exposed pad in the bottom must be connected to ground by via holes.

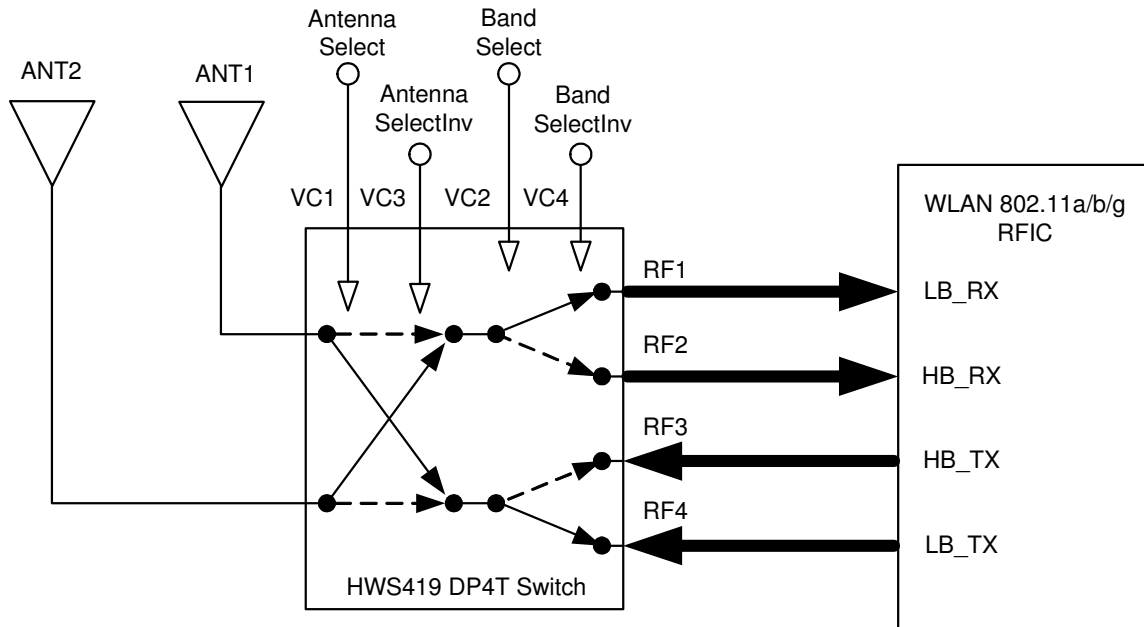
**Logic Table for Switch On-Path**

VC1	VC3	VC2	VC4	ANT1	ANT2
0	1	1	0	RF1	RF4
1	0	1	0	RF4	RF1
0	1	0	1	RF2	RF3
1	0	0	1	RF3	RF2

'1' = +3V to +5V  
'0' = 0V to +0.2V

## Application Information

### Simplified Application Block Diagram Between HWS419 and WLAN 802.11 a/b/g RFIC



**Note:**

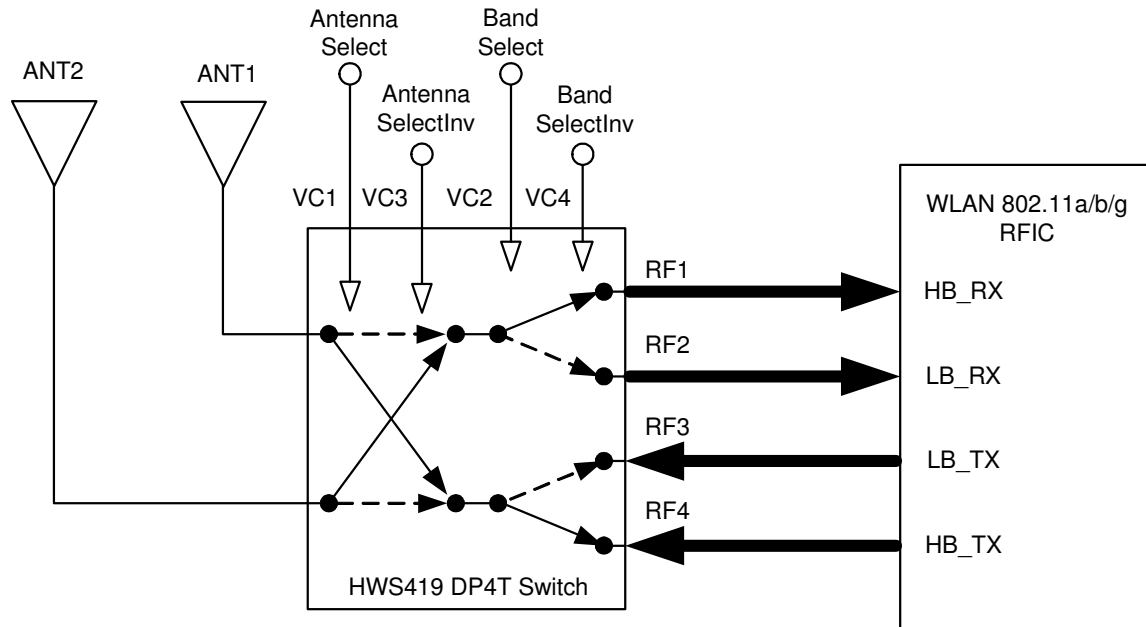
1. VC1 and VC3 are used for antenna selection, while VC2 and VC4 are used for band selection.
2. LB\_RX stands for low-band(2.5GHz band) receiving port and HB\_TX stands for high-band(5.85GHz band) transmitting port.
3. RF paths between switch and RFIC may include amplifiers, filters, and baluns.

### Logic Table for Switch On-Path

VC1 (AntennaSelect)	VC3 (AntennaSelectInv)	VC2 (BandSelect)	VC4 (BandSelectInv)	ANT1	ANT2
0	1	1	0	RF1(LB_RX)	RF4(LB_TX)
1	0	1	0	RF4(LB_TX)	RF1(LB_RX)
0	1	0	1	RF2(HB_RX)	RF3(HB_TX)
1	0	0	1	RF3(HB_TX)	RF2(HB_RX)

## Application Information (Continued)

Simplified Application Block Diagram Between HWS419 and WLAN 802.11 a/b/g RFIC



Note:

1. VC1 and VC3 are used for antenna selection, while VC2 and VC4 are used for band selection.
2. LB\_RX stands for low-band(2.5GHz band) receiving port and HB\_TX stands for high-band(5.85GHz band) transmitting port.
3. RF paths between switch and RFIC may include amplifiers, filters, and baluns.

### Logic Table for Switch On-Path

VC1 (AntennaSelect)	VC3 (AntennaSelectInv)	VC2 (BandSelect)	VC4 (BandSelectInv)	ANT1	ANT2
0	1	1	0	RF1(HB_RX)	RF4(HB_TX)
1	0	1	0	RF4(HB_TX)	RF1(HB_RX)
0	1	0	1	RF2(LB_RX)	RF3(LB_TX)
1	0	0	1	RF3(LB_TX)	RF2(LB_RX)