

SMTT-90H

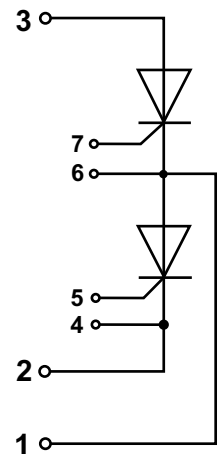
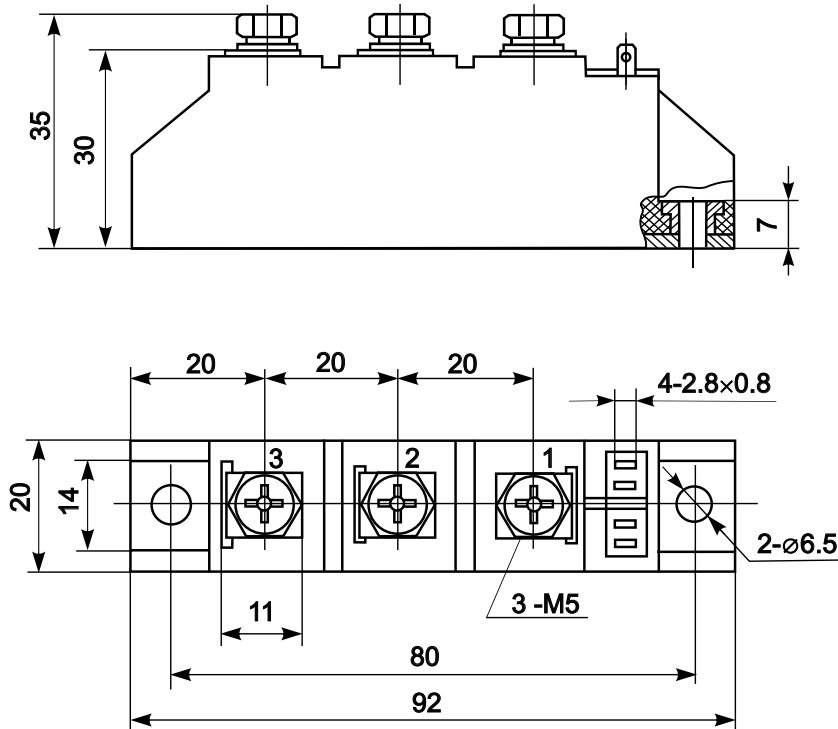


Thyristor-Thyristor Module



| Type | V_{RSM} | V_{RRM} , V_{DRM} |
|-------------|-----------|--------------------------|
| SMTT-90H-08 | 1000 | 800 |
| SMTT-90H-12 | 1400 | 1200 |
| SMTT-90H-14 | 1600 | 1400 |
| SMTT-90H-16 | 1800 | 1600 |
| SMTT-90H-18 | 2000 | 1800 |
| SMTT-90H-20 | 2200 | 2000 |
| SMTT-90H-22 | 2400 | 2200 |
| SMTT-90H-24 | 2600 | 2400 |

| Type | I_{TAVM} | I_{TRMS} | T_c | I_{TSM} | $(di/dt)_{cr}$ | $(dv/dt)_{cr}$ | V_{TM} | I_{TM} | V_{TO} | r_T | t_q | V_{GT} | I_{GT} | T_{VJM} | V_{isol} | R_{thJC} |
|----------|------------|------------|-------|-----------|----------------|----------------|----------|----------|----------|-------|-------|----------|----------|-----------|------------|------------|
| | A | A | °C | kA | A/μs | V/μs | V | A | V | mΩ | μs | V | mA | °C | V | K/W |
| SMTT-90H | 90 | 200 | 85 | 2.0 | 50 | 800 | 1.94 | 270 | 0.85 | 3.7 | 150 | 2.5 | 100 | 125 | 2500 | 0.28 |



Features:

- Industrial standard package
- Heat transfer through aluminium nitride ceramic isolated metal baseplate
- Precise internal pressure contacts for high reliability
- 2500V RMS isolation voltage

Typical Applications:

- DC motor control
- AC motor soft starter
- Temperature control (e.g. for ovens, chemical processes)
- Lighting control