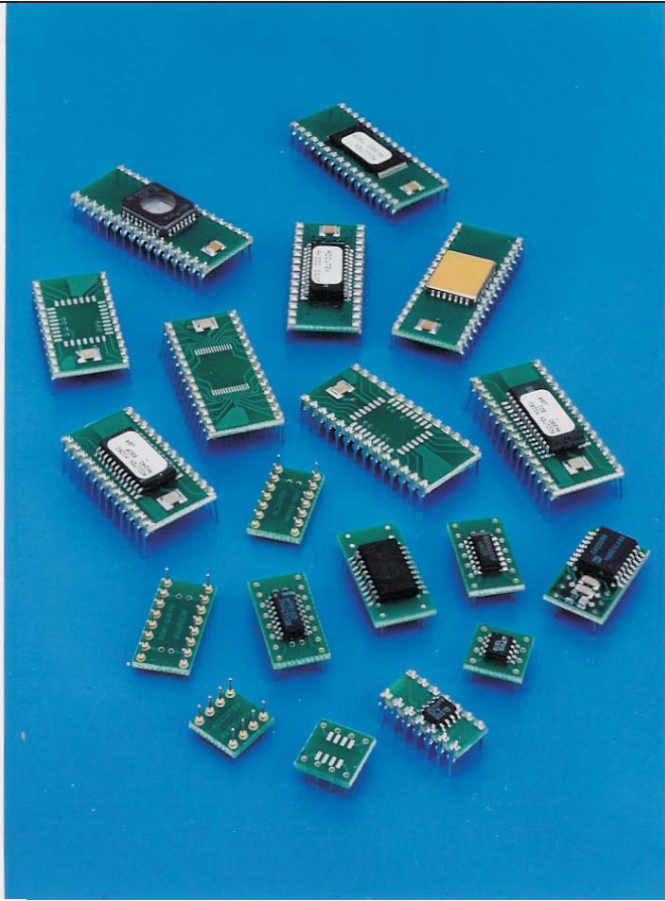


# Accutek Microcircuit Corporation

## 28 Pin to 32 Pin DIP Adapters

# DIP ADAPTER MODULES ELIMINATE THE NEED TO REDESIGN MOTHERBOARDS OR MAY BE USED FOR BREADBOARD PROTOTYPING



This new family of Accutek DIP Adapter Modules converts surface mount IC's to pin compatible DIP packages for creating drop-in replacements for end-of-life DIP IC's. Package types supported are: SOJ, PLCC, SOIC, SOP, TSOP, QSOP, HSOP, MSOP, LLP (Leadless Leadframe Package), CSP (Chip Scale Package) and CLCC.

These DIP Adapters were developed for users with motherboard designs that require DIP's, now obsolete by manufacturers. These adapter modules save costly motherboard redesigns.

Available with machined or flat contact pins. Accutek DIP Adapter Modules feature 4 to 84 pins, are fully assembled and tested and may include a decoupling capacitor. These DIP Adapters can be manufactured turnkey or from customer supplied surface mount chips. Modules range in length from 0.200" to 4.200" depending on number of pins and incorporate 0.300", 0.400", 0.600", 0.900", 1.200" and 1.400" row-to-row spacing with 0.100" lead spacing.

Custom configurations up to 200 pins, multi-chip and double sided modules are also available for special functions. A variety of pin lengths with varying diameters as well as custom sizes and spacing can be specified with different materials and finishes. All modules are designed in-house using PCB CAD workstations. Automated assembly and 100% testing are also performed in-house.

### FEATURES

- Saves costly redesign of current motherboards
- Fully tested with lifetime limited warranty
- May include an on board decoupling capacitor
- IC assembly and testing available
- EPROM and Flash programming available
- Custom lead lengths available
- Custom multi-chip and double-sided modules available

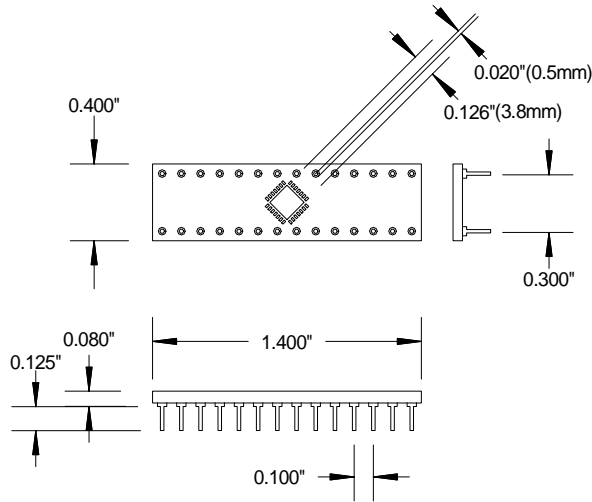
### ORDERING OPTIONS

- Adapter only
- Customer supplies chips - Accutek assembles on Accutek adapters, tests and delivers finished product in antistatic tubes.
- Complete turnkey - Accutek purchases IC's and passives. Then assembles, tests and delivers finished product in antistatic tubes.

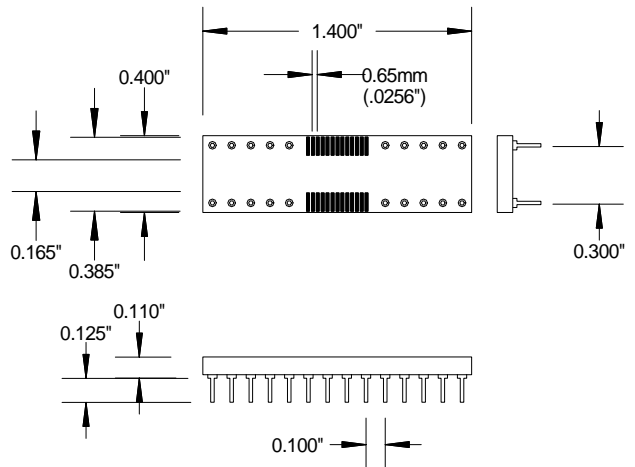


**ACCUTEK MICROCIRCUIT CORPORATION**  
BUSINESS CENTER at NEWBURYPORT  
2 NEW PASTURE ROAD, SUITE 1  
NEWBURYPORT, MA 01950-4054  
PHONE: 978-465-6200 FAX: 978-462-3396  
E-Mail: sales@accutekmicro.com  
Internet: www.accutekmicro.com

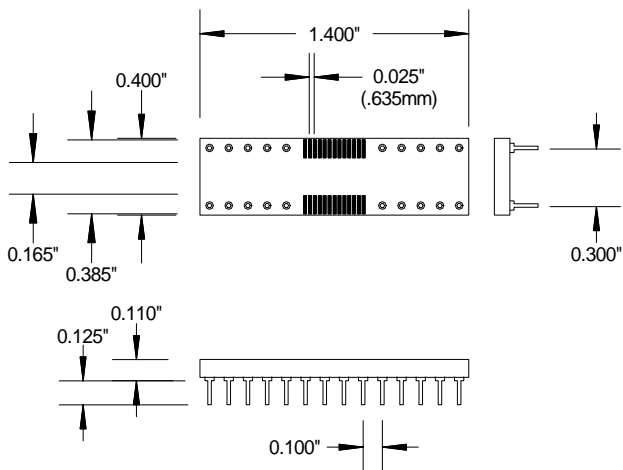
**AK28D-LLP**  
LEADLESS LEADFRAME PACKAGE(5 X 5)  
TO 28 PIN DIP



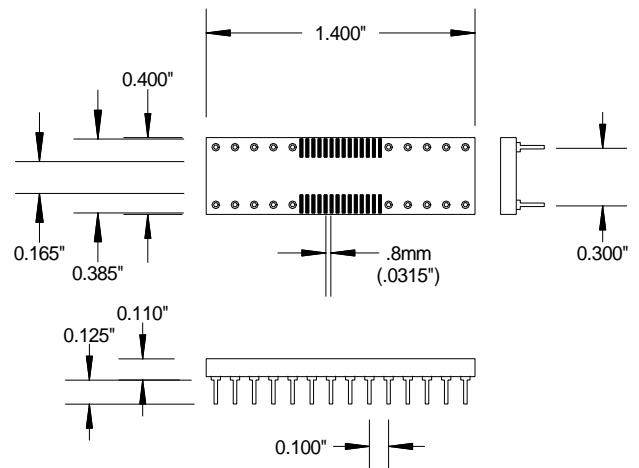
**AK28D300-TSOP**  
28 PIN TSOP & SSOP 0.65mm PITCH TO DIP



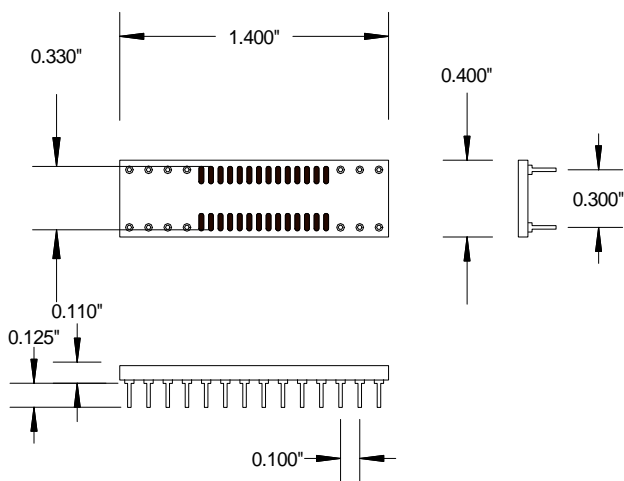
**AK28D300-QSOP**  
28 PIN QSOP 0.025" PITCH TO DIP



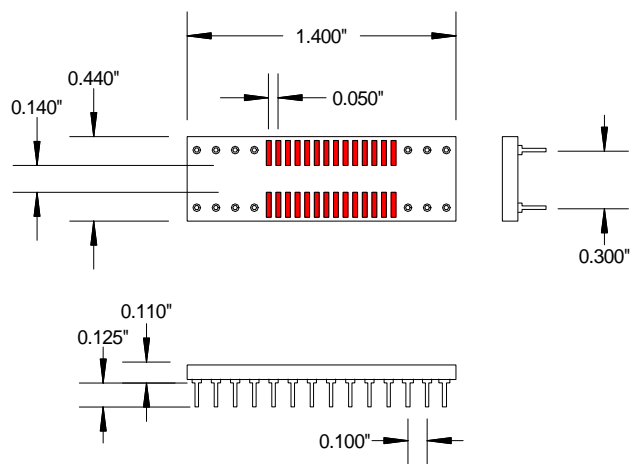
**AK28D300-SSOP .8mm**  
28 PIN SSOP 0.8mm PITCH TO DIP



**AK28D300-SOJ**  
28 PIN SOJ TO .300" DIP

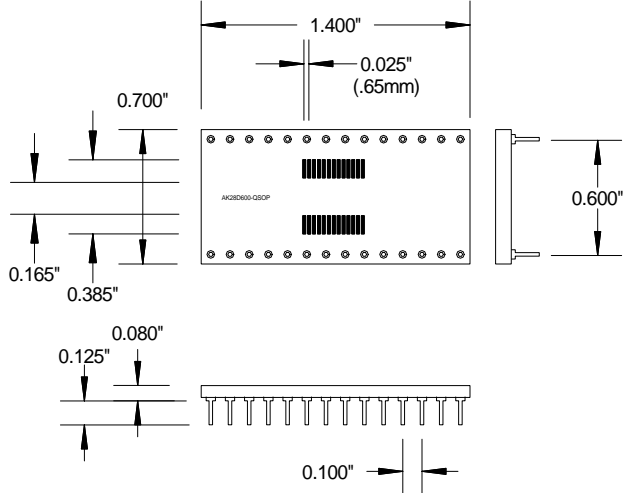


**AK28D300-SOIC**  
28 PIN SOIC TO DIP



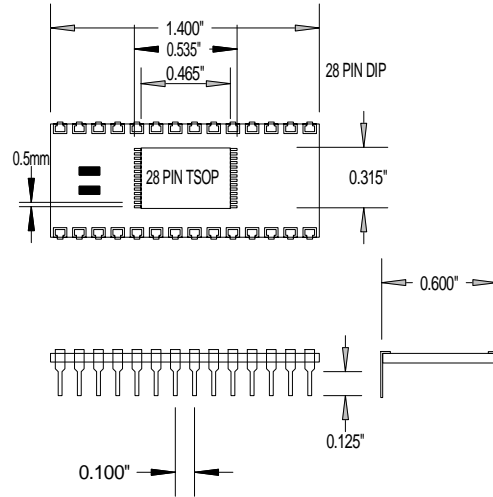
### AK28D600-QSOP

28 PIN QSOP & SSOP TO DIP600



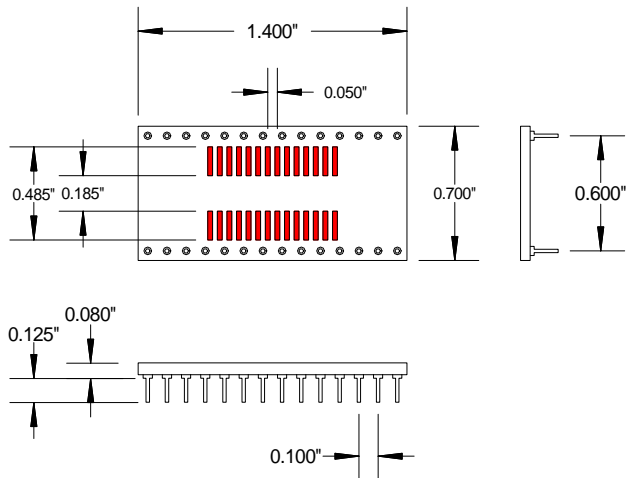
### AK28D600-TSOP

28 PIN TYPE 1 TSOP TO DIP



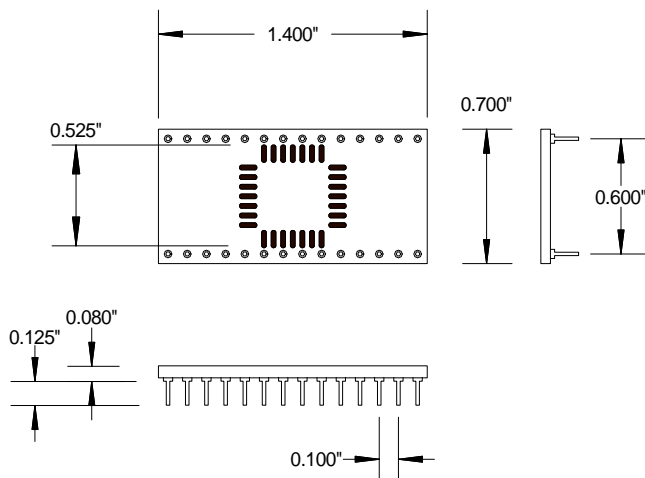
### AK28D600-SOIC/SOJ

28 PIN SOIC OR SOJ TO DIP



### AK28DW600-PLCC

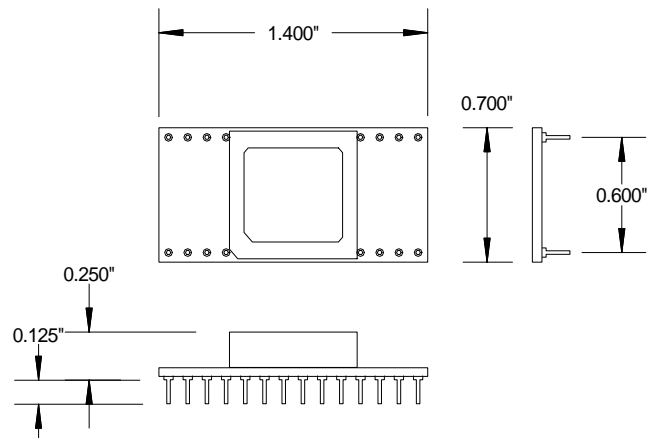
28 PIN PLCC TO DIP (MACHINED PINS)



### AK28DS600-PLCC

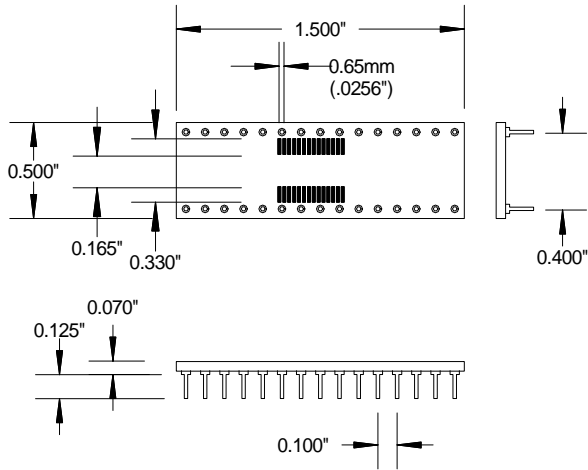
(with PLCC Socket included)

28 PIN SOJ SOCKET TO DIP



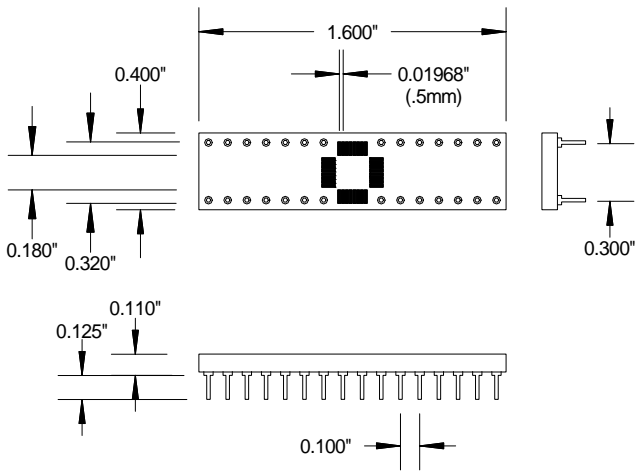
### AK30D400-SSOP

30 PIN SSOP & TSOP TO DIP



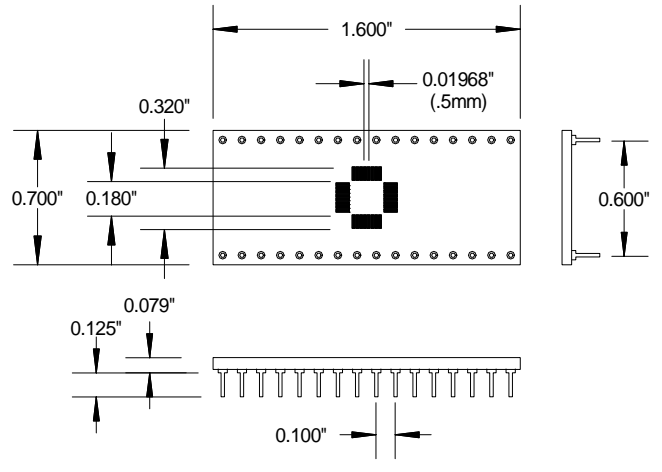
### AK32D300-QFP5X5

32 PIN QFP 5x5mm TO DIP300



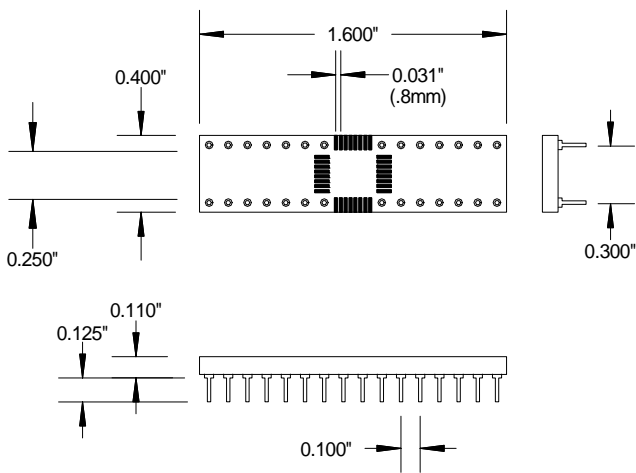
### AK32D600-QFP5X5

32 PIN QFP 5x5mm TO DIP600



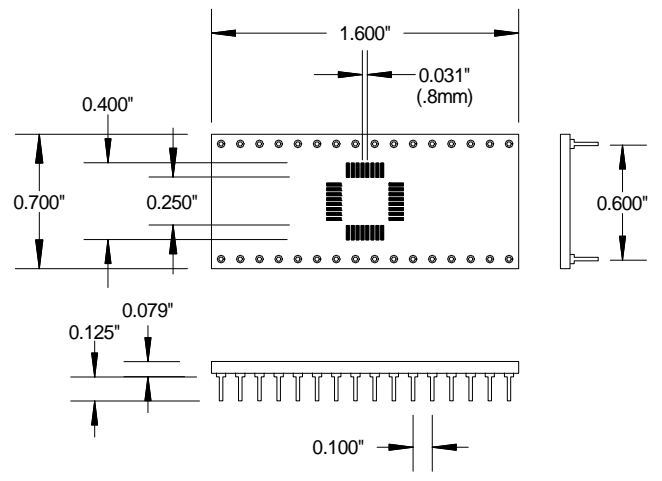
### AK32D300-QFP7X7

32 PIN QFP 7x7mm TO DIP300



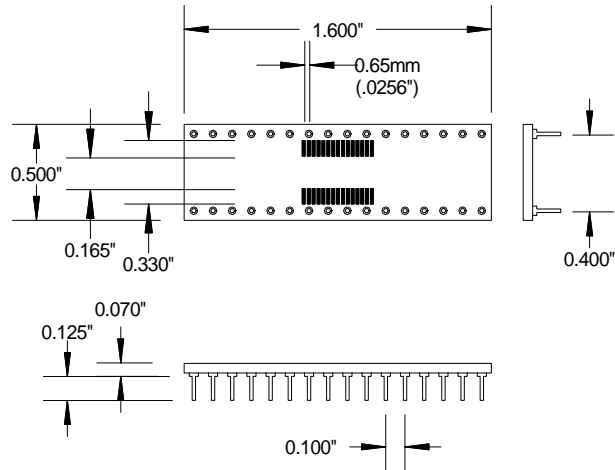
### AK32D600-QFP7X7

32 PIN QFP 7x7mm TO DIP600



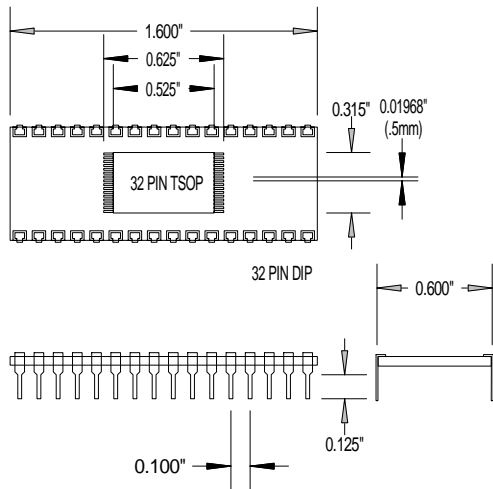
### AK32D400-SSOP

32 PIN SSOP & TSOP TO DIP



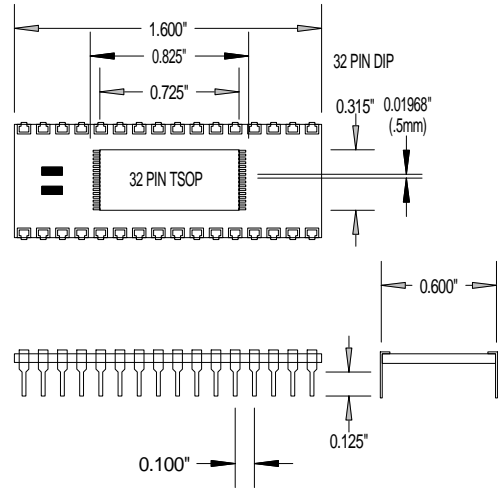
### AK32D600-NTSOP

32 PIN TYPE 1 NARROW TSOP TO DIP



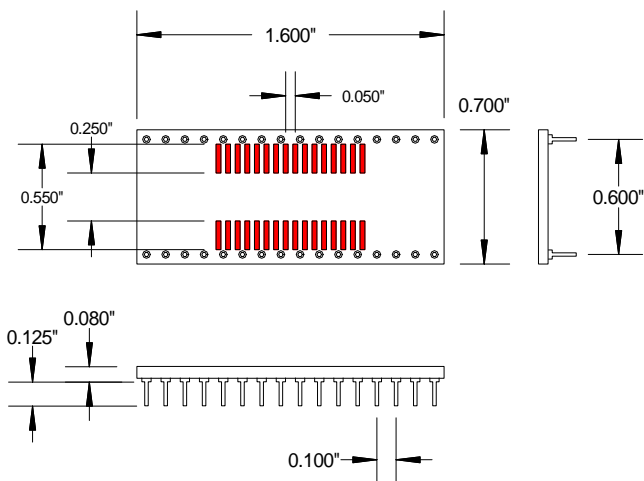
### AK32D600-TSOP

32 PIN TYPE 1 WIDE TSOP TO DIP



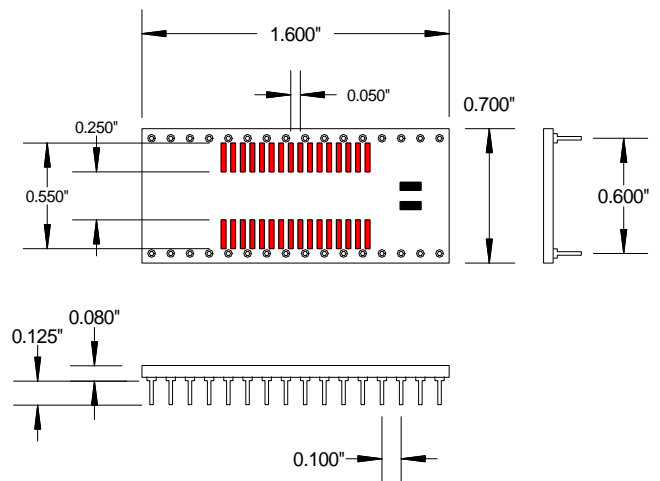
### AK32D600-SOIC-G

32 PIN SOIC TO DIP



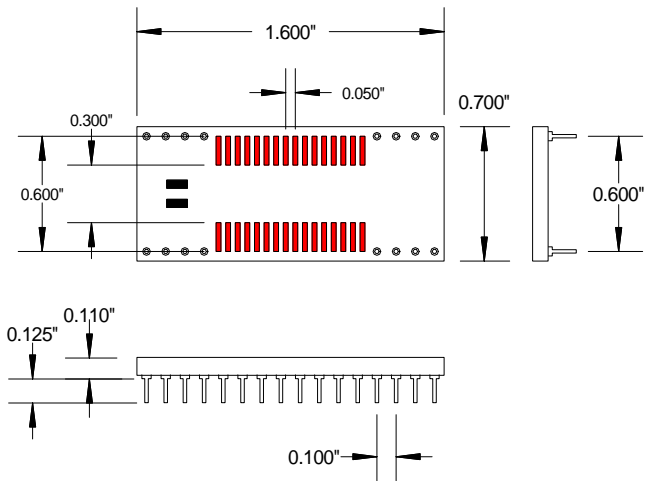
### AK32D600-SOIC

32 PIN SOIC OR TSOP2 TO DIP  
FOR 512K x 8 SRAM



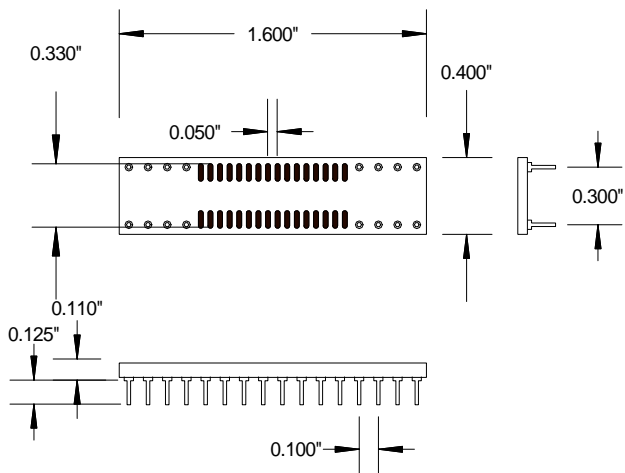
### AK68128-512-D32

32 PIN SOIC TO DIP  
FOR 128K x 8 SRAM



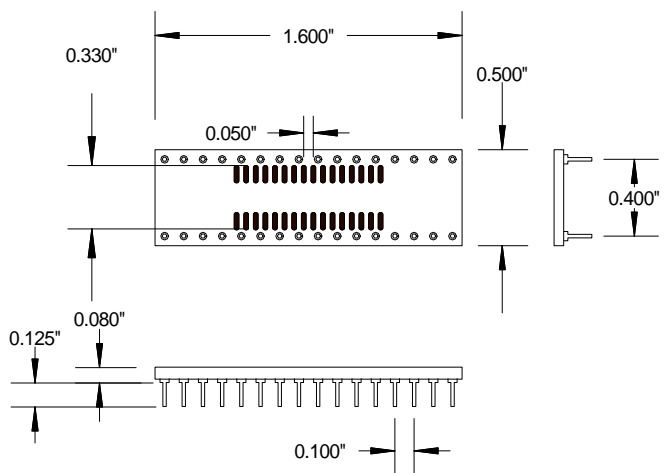
### AK32D300-S0J

32 PIN SOJ TO .300" DIP



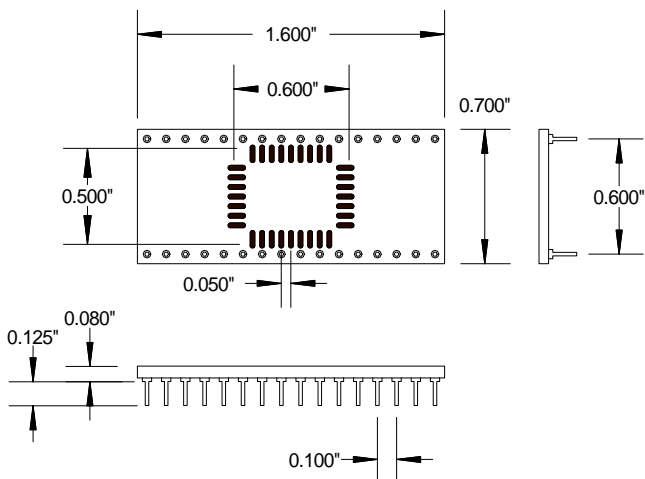
### AK32D400-SOJ

32 PIN SOJ TO .400" DIP



### AK32DW600-PLCC

32 PIN PLCC TO DIP (MACHINED PINS)



### AK32DS600-PLCC

(with PLCC Socket included)

32 PIN SOJ SOCKET TO DIP

