

Am8224

Clock Generator and Driver for 8080A Compatible Microprocessors

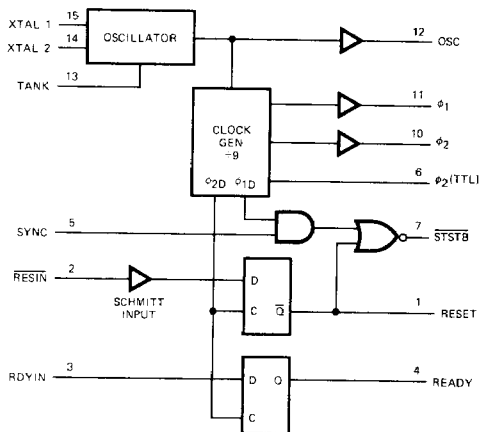
Distinctive Characteristics

- Single chip clock generator/driver for 8080A compatible CPU
- Power-up reset for CPU
- Ready synchronizing flip-flop
- Status strobe signal
- Oscillator output for external system timing
- Am8224-4 version available for use with 1 μ sec instruction cycle of Am9080A-4
- Available for operation over both commercial and military temperature ranges
- Crystal controlled for stable system operation
- Reduces system package count
- Advanced Schottky processing

FUNCTIONAL DESCRIPTION

The Am8224 is a single chip Clock Generator/Driver for the Am9080A and 8080A CPU. It contains a crystal-controlled oscillator, a "divide by nine" counter, two high-level drivers and several auxiliary logic functions, including a power-up reset, status strobe and synchronization of ready. Also provided are TTL compatible oscillator and ϕ_2 outputs for external system timing. The Am8224 provides the designer with a significant reduction of packages used to generate clocks and timing for the Am9080A or 8080A for both commercial and military temperature range applications. A high speed version, the Am8224-4, is available for use with the high speed Am9080A-4.

LOGIC DIAGRAM



LIC-619

ORDERING INFORMATION

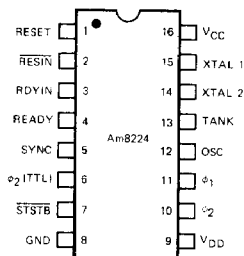
Package Type	Temperature Range	Order Number
Hermetic DIP	-55°C to +125°C	AM8224DM
Hermetic DIP	0°C to +70°C	D8224
Molded DIP	0°C to +70°C	AM8224PC
Dice	0°C to +70°C	AM8224XC
Hermetic DIP	0°C to +70°C	AM8224-4DC*

* For use with Am9080A-4 with clock period between 250ns and 320ns.

PIN DEFINITION

XTAL 1	CONNECTIONS FOR CRYSTAL
XTAL 2	
TANK	USED WITH OVERTONE XTAL
OSC	OSCILLATOR OUTPUT
ϕ_2 (TTL)	ϕ_2 CLK (TTL LEVEL)
VCC	+5.0V
VDD	+12V
GND	0V
RESIN	RESET INPUT
RESET	RESET OUTPUT
RDYIN	READY INPUT
READY	READY OUTPUT
SYNC	SYNC INPUT
STSTB	STATUS STB (ACTIVE LOW)
ϕ_1	Am9080A/8080A CLOCKS
ϕ_2	

CONNECTION DIAGRAM Top View



Note: Pin 1 is marked for orientation.

LIC-620