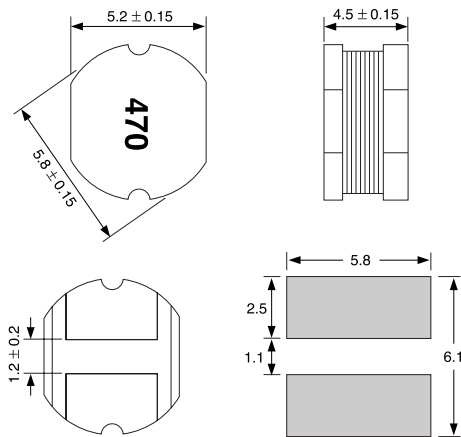


SMD TYPE

LPN5845 SERIES

SMD Nonshielded type

SHAPES & DIMENSIONS RECOMMENDED PCB PATTERN (Dimensions in mm)



ELECTRICAL CHARACTERISTICS

Ordering Code	Inductance (μH)	Inductance TOL.(%)	Test Freq. (KHz)	DC Resistance (Ω)Max	Rated Current(A)
LPN5845T-100K	10	± 10	100	0.10	1.50
LPN5845T-150K	15			0.14	1.30
LPN5845T-220K	22			0.18	1.10
LPN5845T-330K	33			0.23	0.88
LPN5845T-470K	47			0.37	0.72
LPN5845T-680K	68			0.46	0.61
LPN5845T-101K	100			0.70	0.52
LPN5845T-151K	150			1.10	0.40
LPN5845T-221K	220			1.57	0.35

TEST EQUIPMENTS

- Inductance: Agilent 4284A LCR Meter (100KHz 0.5V)
- Rdc: HIOKI 3540 mΩ HiTESTER
- Bias Current: Agilent 4284A + Agilent 42841A
- Inductance drop = 10%typ. at rated current

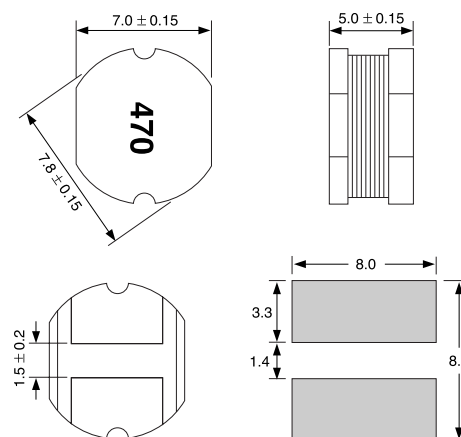
OPERATING TEMPERATURE RANGE

-20 ~ +85°C (Including self-generated heat)

LPN7850 SERIES

SMD Nonshielded type

SHAPES & DIMENSIONS RECOMMENDED PCB PATTERN (Dimensions in mm)



ELECTRICAL CHARACTERISTICS

Ordering Code	Inductance (μH)	Inductance TOL.(%)	Test Freq. (KHz)	DC Resistance (Ω)Max	Rated Current(A)
LPN7850T-100K	10	± 10	100	0.07	2.30
LPN7850T-150K	15			0.09	1.80
LPN7850T-220K	22			0.11	1.50
LPN7850T-330K	33			0.13	1.30
LPN7850T-470K	47			0.18	1.10
LPN7850T-680K	68			0.28	0.85
LPN7850T-101K	100			0.43	0.72
LPN7850T-151K	150			0.64	0.58
LPN7850T-221K	220			0.96	0.49
LPN7850T-331K	330			1.26	0.40
LPN7850T-471K	470			1.96	0.34

TEST EQUIPMENTS

- Inductance: Agilent 4284A LCR Meter (100KHz 0.5V)
- Rdc: HIOKI 3540 mΩ HiTESTER
- Bias Current: Agilent 4284A + Agilent 42841A
- Inductance drop = 10%typ. at rated current

OPERATING TEMPERATURE RANGE

-20 ~ +85°C (Including self-generated heat)