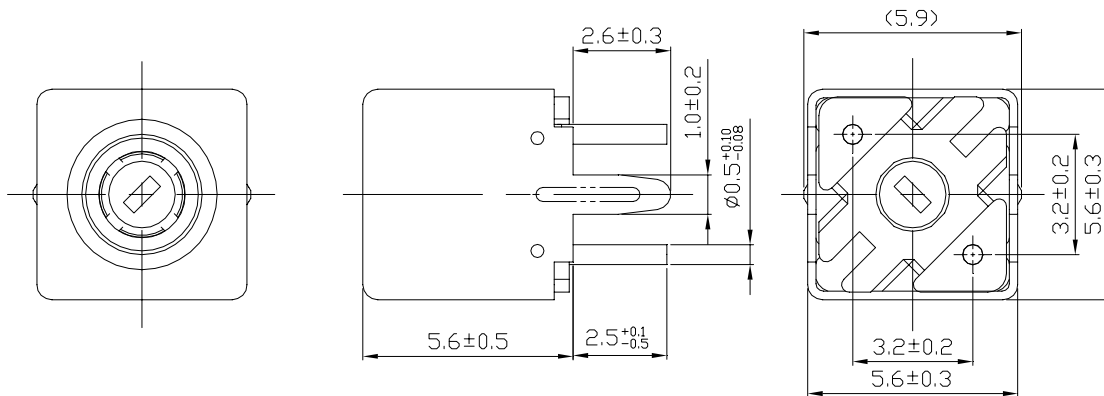


Type: SM55
Product Description

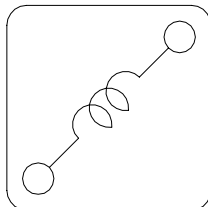
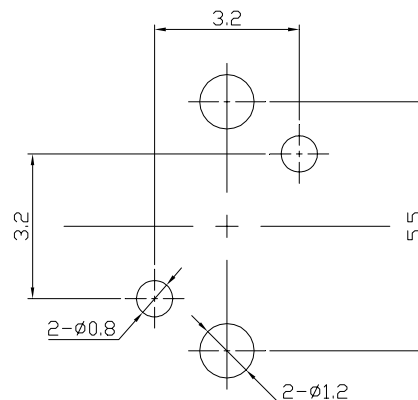
- 5.9 × 5.9mm Max.(L × W), 6.1mm Max. Height.
- Inductance:0.1 ~ 1.0 μ H .
- Operating frequency:300MHz
- In addition to the reference versions of parameters shown here, custom designs are available to meet your exact requirements.


Feature

- Variable shielded type.
- RoHS Compliance

Dimensions (mm)


- * Dimension does not include solder used on coil.
- * Pin pitch should be measured at the root of terminal.
- * Dimensions without tolerance are approx.

Connection (Bottom View)

Land pattern(mm)


Type: SM55
Specification

Part No.	Stamp	Tuning Capacity	Unloaded Q	Frequency
SM55-Ø1	01	22.2pF ± 4% Variable	85 Min.	200MHz
SM55-Ø2	02	16.0pF ± 8% Variable	80 Min.	200MHz
SM55-Ø3	03	11.8pF ± 8% Variable	75 Min.	200MHz
SM55-Ø4	04	17.6pF ± 4% Variable	70 Min.	150MHz

