

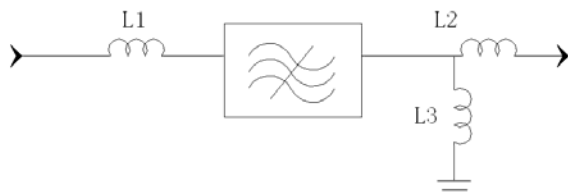
Specifications

Parameter	Unit	Minimum	Typical	Maximum
Center Frequency	MHz	123.61	123.69	123.77
Insertion Loss	dB		21	22.5
3dB Bandwidth	MHz	2.46	2.49	
30dB Bandwidth	MHz		3.18	3.26
40dB Bandwidth	MHz		3.28	3.56
50dB Bandwidth	MHz		3.4	3.86
Passband Variation	dB		0.5	1
Absolute Delay	usec		3.13	4
Group Delay Variation($f_0 \pm 984\text{kHz}$)	nsec		120	300
Phase Linearity($f_0 \pm 984\text{kHz}$)	degree		4	
Ultimate Rejection(out of $f_0 \pm 2\text{MHz}$)	dB	44	47	
Substrate Material			quartz	
Ambient Temperature	°C		25	
Package Size		DIP2712 (27.0x12.8x4.7mm ³)		

Notes:

1. All specifications are based on the test circuit shown
2. In production, devices will be tested at room temperature to a guardbanded specification to ensure electrical compliance over temperature
3. Electrical margin has been built into the design to account for the variations due to temperature drift and manufacturing tolerances
4. This is the optimum impedance in order to achieve the performance show

Matching Configuration



L1=82nH L2=220nH L3=150nH

Source/Load Impedance=50 ohm

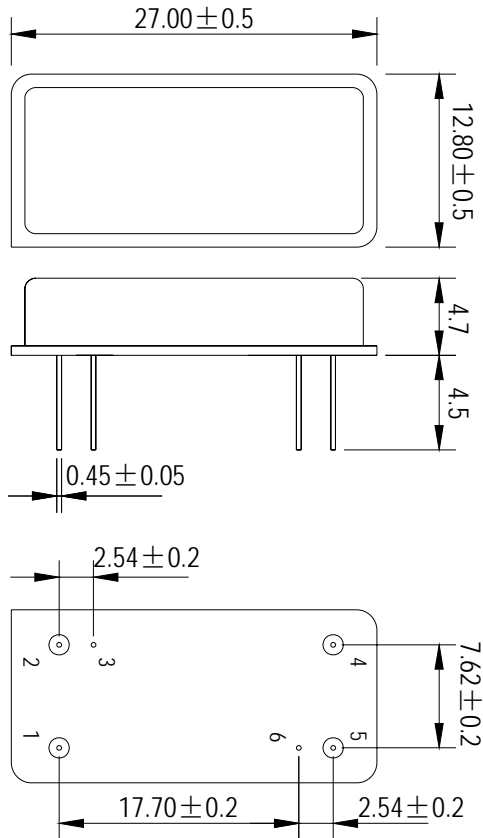
Notes - Component values may change depending on board layout.



SIPAT Co., Ltd.
(CETC No. 26 Research Institute)
Nanping Huayuan Road No. 14
Chongqing, China, 400060

Part Number	LBS12301		
Rev. Date	2005-4-11		
Rev.	1.0	Page 1/3	

Package Dimension



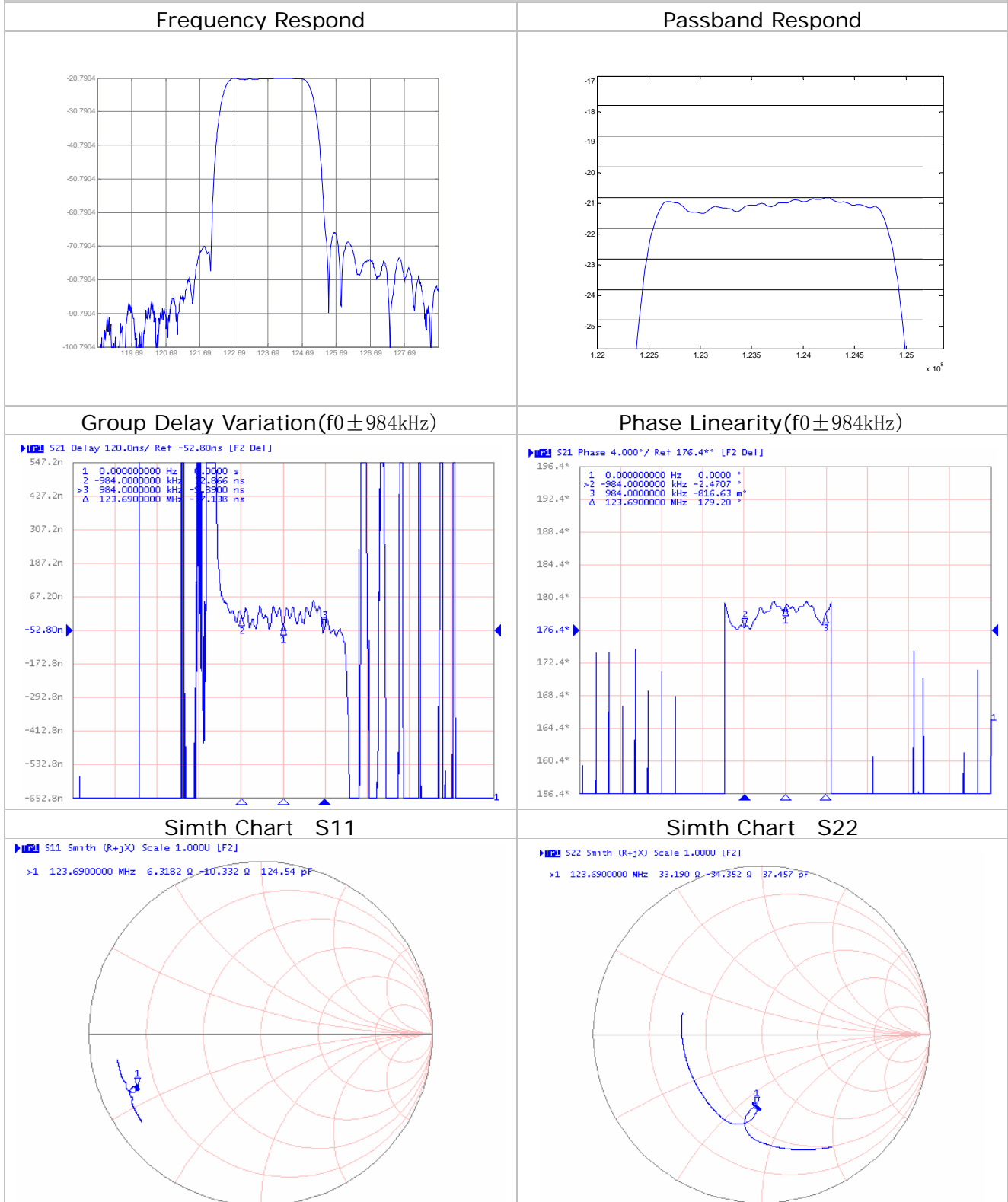
Pin 1: input
Pin 5: output
Others: Grounded



SIPAT Co., Ltd.
(CETC No. 26 Research Institute)
Nanping Huayuan Road No. 14
Chongqing, China, 400060

Part Number	LBS12301	
Rev. Date	2005-4-11	
Rev.	1.0	Page 2/3

Typical Performance



SIPAT Co., Ltd.
(CETC No. 26 Research Institute)
Nanping Huayuan Road No. 14
Chongqing, China, 400060

Part Number	LBS12301	
Rev. Date	2005-4-11	
Rev.	1.0	Page 3/3