

## Marketing Bulletin

**DATE:** July 28<sup>th</sup>, 2006  
**TO:** All Sales Personnel  
**FROM:** Mark Stoner  
**RE:** Product Termination

To all concerned parties,

This bulletin is to notify all customers of the discontinuation of the following Ecliptek series effective July 28<sup>th</sup>, 2006:

<b>Series</b>	<b>Description</b>	<b>Recommended Replacement</b>
E6WS	SMD Watch Crystal	E8WS

In compliance with our End of Life (EOL) policy, this will serve as advanced notice of product termination. New orders will not be accepted after September 31<sup>st</sup>, 2006, with delivery to conclude by December 31<sup>st</sup> 2006.

If there are any questions pertaining to this bulletin, please feel free to contact me. Thank you again for your cooperation.

Best Regards,



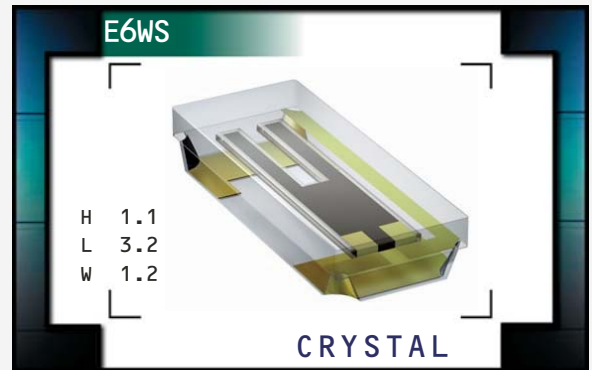
Mark W. Stoner  
Vice President of Marketing  
Ecliptek Corporation

# E6WS Series



ECLIPTEK<sup>®</sup>  
CORPORATION

- RoHS Compliant (Pb-free)
- 32.768kHz watch crystal
- Miniature two pad surface mount package
- $\pm 20$ ppm frequency tolerance
- 12.5pF load capacitance
- Tape and reel available



## NOTES

OBSOLETE

### ELECTRICAL SPECIFICATIONS

Frequency	32.768kHz
Frequency Tolerance (at 25°C)	$\pm 20$ ppm
Frequency Stability	-0.035ppm / $(\Delta^\circ\text{C})^2$ Maximum, Parabolic; Turn Over Temperature at 25°C $\pm 5^\circ\text{C}$
Operating Temperature Range	-40°C to 85°C
Aging (at 25°C)	$\pm 3$ ppm / year Maximum
Storage Temperature Range	-55°C to 125°C
Shunt Capacitance	1.7pF Typical, 2pF Maximum
Motional Capacitance	2.9fF Typical
Equivalent Series Resistance	65,000 Ohms Maximum
Insulation Resistance	500 Megaohms Minimum at 100V <sub>DC</sub>
Drive Level	1 $\mu$ Watt Maximum
Load Capacitance (C <sub>L</sub> )	12.5pF

MANUFACTURER  
ECLIPTEK CORP.

CATEGORY  
CRYSTAL

SERIES  
E6WS

PACKAGE  
GLASS

CLASS  
CR54

REV. DATE  
02/06

# PART NUMBERING GUIDE

## E6WSDC 12 - 32.768K TR

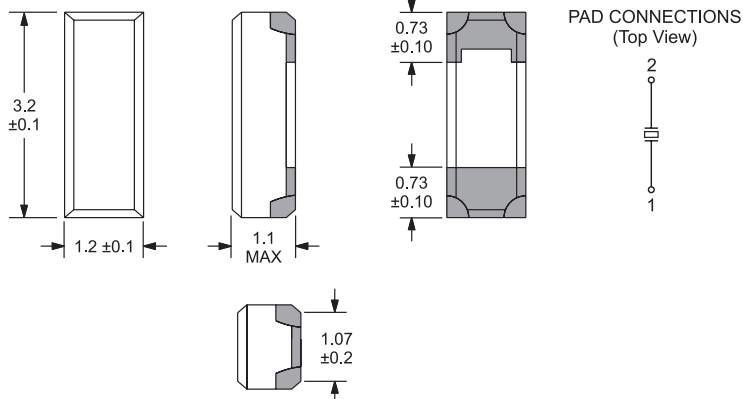
LOAD CAPACITANCE  
12=12.5pF

PACKAGE OPTIONS  
Blank=Bulk, TR=Tape and Reel

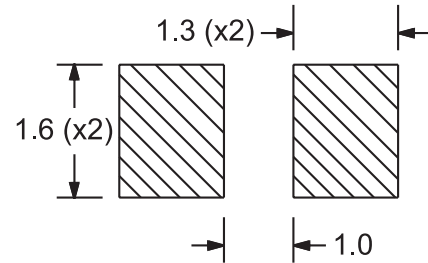
### NOTES

# OBSOLETE

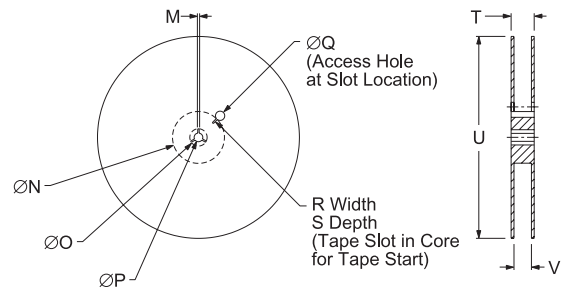
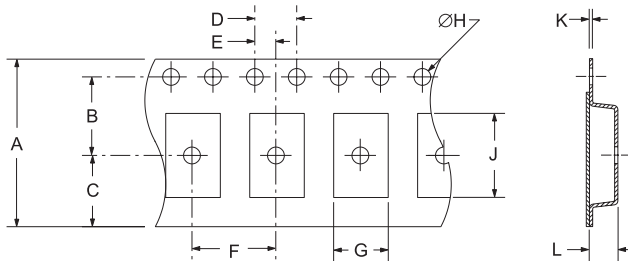
#### MECHANICAL DIMENSIONS ALL DIMENSIONS IN MILLIMETERS



#### SUGGESTED SOLDER PAD LAYOUTS ALL DIMENSIONS IN MILLIMETERS



#### TAPE AND REEL DIMENSIONS ALL DIMENSIONS IN MILLIMETERS

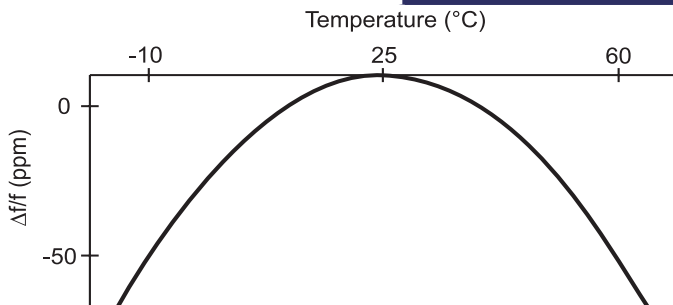


TAPE	A	B	C	D	E
	12±.3	5.5±.1	4.75±.1	4±.2	2±.1
F	G	H	J	K	L
8±.2	A0*	1.5±.1	B0*	.5±.05	K0*

REEL	M	N	O	P	Q
	1.5 MIN	50 MIN	20.2 MIN	13±.5	40 MIN
R	S	T	U	V	QTY/REEL
2.5 MIN	10 MIN	18.4 MAX	180 MAX	12.4+2-0	3,000

\*Compliant to EIA481A

#### PARABOLIC TEMPERATURE CURVE



#### MARKING SPECIFICATIONS

Line 1: 32C XXXXX  
 Lot Identifier (5 Characters MAX)  
 Frequency Code

MANUFACTURER  
ECLIPTEK CORP.

CATEGORY  
CRYSTAL

SERIES  
E6WS

PACKAGE  
GLASS

CLASS  
CR54

REV. DATE  
02/06