

SCT型 IGBT突波吸收盒装电容器

Type SCT Snubber Film Capacitor

SCT型 直接安装

Type SCT Direct Mount



特点:

Highlights

- 承受瞬间大电流
- High peak & RMS current capability
- 直接安装在IGBT模块上
- Mounts directly to the IGBT module
- 小于20nH的低电感
- Low inductance < 20 nH
- 符合UL94V0 标准的阻燃环氧树脂封装
- Flame resistance case and resin, meets UL94V0

种类

Ratings

用途:

Applications

SCT型对高速电压上升的中低电流的IGBT提供了电压的保护，Type SCT offers protection against voltage transients in low to medium current IGBT applications where high voltage transients are encountered. Connect these capacitors from C1 to E2 on a dual IGBT module or from terminal P to terminal N on a six-pack module to eliminate severe voltage transients.

RoHS Compliant

目录型号 Catalog Part Number	电容量 Cap. (µF)	频率 60 Hz (Vac)	电压 上升 速率 dV/dt (V/µs)	峰值 电流 I _{pk} (A)	等效 串联 电阻 ESR Typ. (mΩ)	安培 I 70°C 100 kHz (Arms)	长度 Length (L) (in) (mm)		SL型尺寸的参考因素 Consult Factory for "SL" Style Dimensions			
									B型的高度 H for "B" Type (in) (mm)		B型的宽度 W for "B" Type (in) (mm)	
									S型的宽度 W for "S" Type (in) (mm)		S型的高度 H for "S" Type (in) (mm)	
600 Vdc												
SCT474K601A3B25-F	0.47	275	250	118	12	8.1	1.77	45.0	1.30	33.0	0.87	22.0
SCT684K601A3B25-F	0.68	275	200	136	9	9.4	1.77	45.0	1.30	33.0	0.87	22.0
SCT105K601A3B25-F	1.00	275	150	150	8	10.0	1.77	45.0	1.30	33.0	0.87	22.0
SCT155K601A3B25-F	1.50	275	150	225	7	10.6	1.77	45.0	1.30	33.0	0.87	22.0
SCT205K601A3B25-F	2.00	275	150	300	7	11.7	2.01	51.0	1.42	36.0	0.98	25.0
SCT335K601A3B25-F	3.30	275	150	495	5	14.8	2.01	51.0	1.57	40.0	1.18	30.0
SCT475K601A3B25-F	4.70	275	120	564	4	19.6	2.32	59.0	1.77	45.0	1.38	35.0
1000 Vdc												
SCT224K102D3B25-F	0.22	500	650	143	19	6.4	1.77	45.0	1.30	33.0	0.87	22.0
SCT474K102D3B25-F	0.47	500	450	211	9	9.3	1.77	45.0	1.30	33.0	0.87	22.0
SCT564K102D3B25-F	0.56	500	400	224	9	9.3	1.77	45.0	1.30	33.0	0.87	22.0
SCT684K102D3B25-F	0.68	500	400	272	7	10.6	1.77	45.0	1.30	33.0	0.87	22.0
SCT105K102D3B25-F	1.00	500	400	400	5	13.8	2.01	51.0	1.42	36.0	0.98	25.0
SCT125K102D3B25-F	1.20	500	400	480	5	15.1	2.01	51.0	1.57	40.0	1.18	30.0

Type SCT Snubber Film Capacitor

种类

Ratings

目录型号 Catalog Part Number	电容量 Cap. (μF)	频率 60 Hz (Vac)	电压 上升 速率 dV/dt (V/ μs)	峰值 电流 Ipk (A)	等效 串联 电阻 ESR Typ. (m Ω)	频率 I 70°C 100 kHz (Arms)	长度 Length (L) (in) (mm)		SL型尺寸的参考因素 Consult Factory for "SL" Style Dimensions			
									B型的高度 H for "B" Type (in) (mm)		B型的宽度 W for "B" Type (in) (mm)	
									S型的宽度 W for "S" Type (in) (mm)		S型的高度 H for "S" Type (in) (mm)	
									(in)	(mm)	(in)	(mm)
1200 Vdc												
SCT224K122D3B25-F	0.22	550	650	143	19	6.4	1.77	45.0	1.30	33.0	0.87	22.0
SCT334K122D3B25-F	0.33	550	500	165	13	7.8	1.77	45.0	1.30	33.0	0.87	22.0
SCT474K122D3B25-F	0.47	550	500	235	10	9.8	2.01	51.0	1.42	36.0	0.98	25.0
SCT684K122D3B25-F	0.68	550	500	340	7	12.7	2.01	51.0	1.57	40.0	1.18	30.0
SCT105K122D3B25-F	1.00	550	500	500	5	15.1	2.01	51.0	1.57	40.0	1.18	30.0
SCT155K122D3B25-F	1.50	550	400	600	4	19.6	2.32	59.0	1.77	45.0	1.38	35.0
SCT205K122D3B25-F	2.00	550	400	800	4	19.6	2.32	59.0	1.77	45.0	1.38	35.0
SCT305K122D3B25-F	3.00	550	400	1200	5	20.0	2.32	59.0	2.17	55.0	1.77	45.0
1600 Vdc												
SCT224K162D3B25-F	0.22	630	650	143	19	6.4	1.77	45.0	1.30	33.0	0.87	22.0
SCT334K162D3B25-F	0.33	630	650	215	12	8.1	1.77	45.0	1.30	33.0	0.87	22.0
SCT474K162D3B25-F	0.47	630	650	306	10	9.8	2.01	51.0	1.42	36.0	0.98	25.0
SCT684K162D3B25-F	0.68	630	650	442	7	12.7	2.01	51.0	1.57	40.0	1.18	30.0
SCT105K162D3B25-F	1.00	630	500	500	6	15.9	2.32	59.0	1.77	45.0	1.38	35.0
SCT155K162D3B25-F	1.50	630	400	600	5	20.0	2.32	59.0	2.17	55.0	1.77	45.0
SCT205K162D3B25-F	2.00	630	400	800	5	20.0	2.32	59.0	2.17	55.0	1.77	45.0
2000 Vdc												
SCT224K202D3B25-F	0.22	630	800	176	19	6.4	1.77	45.0	1.30	33.0	0.87	22.0
SCT334K202D3B25-F	0.33	630	800	264	13	8.2	2.01	51.0	1.42	36.0	0.98	25.0
SCT474K202D3B25-F	0.47	630	800	376	10	10.7	2.01	51.0	1.57	40.0	1.18	30.0
SCT684K202D3B25-F	0.68	630	600	408	8	13.8	2.32	59.0	1.77	45.0	1.38	35.0
SCT105K202D3B25-F	1.00	630	600	600	6	16.6	2.32	59.0	1.85	47.0	1.54	39.0
SCT125K202D3B25-F	1.20	630	600	720	5	20.0	2.32	59.0	2.17	55.0	1.77	45.0
SCT155K202D3B25-F	1.50	630	600	900	5	20.0	2.32	59.0	2.17	55.0	1.77	45.0

Note: Other capacitance values, voltages, lug orientations and terminal hole spacings are available. Please contact us.

Type SCT Snubber Film Capacitor

型号体系

Part Numbering System

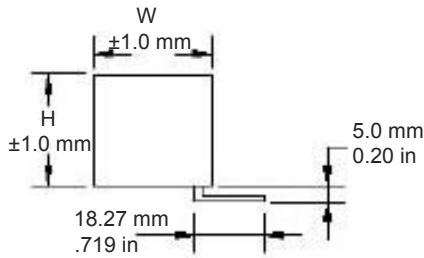
SCT	105	K	122	A	3	B	25	F
型号 Type	电容值 Value	电容误差 Tolerance	电压代码 Voltage Code	内部使用 Internal Use Only		端口安装形状 Terminal Mounting	端口洞孔距离 Terminal Hole Spacing	RoHS 环保设计 Compliant Designation
SCT	474 = .47 μ F 105 = 1.0 μ F	K = \pm 10%	601 = 600 Vdc 102 = 1000 Vdc 122 = 1200 Vdc 162 = 1600Vdc 202 = 2000 Vdc	A D	3 3	B S SL See Outline Drawings	23 = 23 mm 25 = 25 mm 28 = 28 mm (For B & S Styles Only)	F = Compliant Blank = Not

略图

Outline Drawings

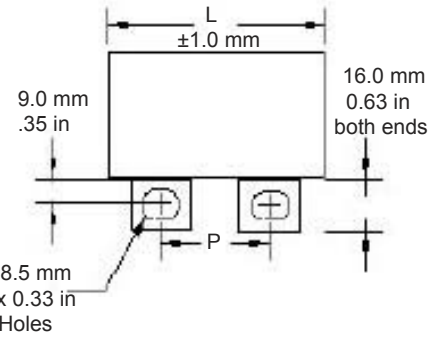
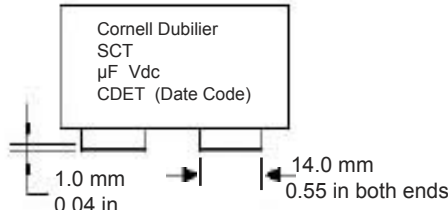
SCT B型端子形状

SCT "B" Style Terminal Lugs



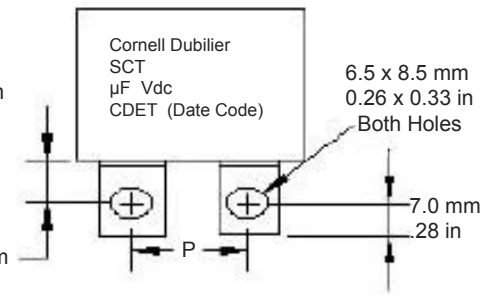
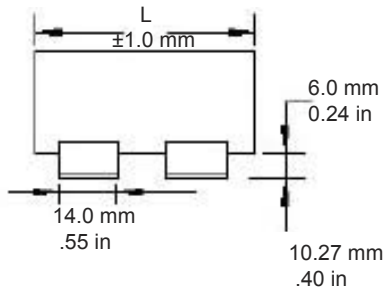
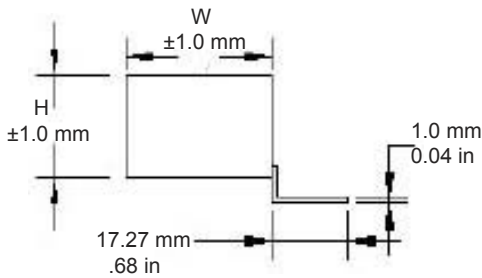
前视图
Front View

上视图
Top View



SCT S型端子形状

SCT "S" Style Terminal Lugs



SCT SL型端子形状

SCT "SL" Style Terminal Lugs

