

Red PLCC4 Surface Mount LED

OVSASBC2R8

- High intensity with low power consumption
- White PLCC4 packaged in 8mm tape on 7" diameter reel
- Compatible with automatic placement equipment
- Dimensions: 3.5x2.8x1.95mm
- 120° viewing angle

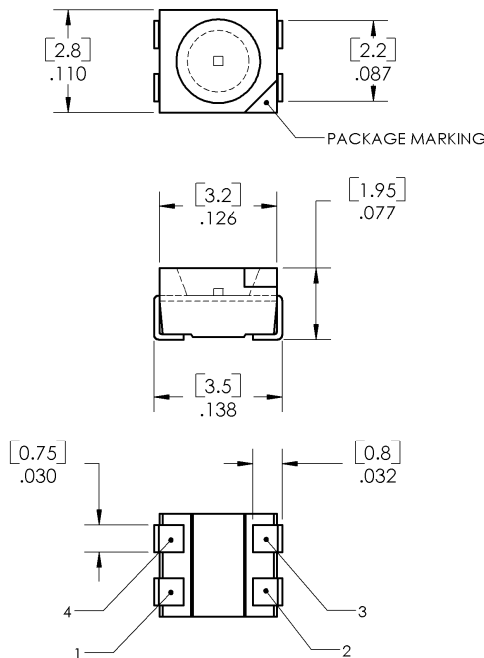


The OVSASBC2R8 is designed for wide angle, uniform light output. Its internal reflector and colorless clear lens optimize luminous intensity and make it ideal for backlighting applications and for coupling with light guides.

Applications

- Traffic Lights
- Signal and Symbol Luminaire
- Mono-color Indicators
- Backlighting (LCD, Switches, Displays, Illuminated Advertising)
- Interior Automotive Lighting (Instrumentation Clusters)
- Safety Marker Lights (Steps, Exit Ways)

Part Number	Material	Emitted Color	Intensity Typ. mcd	Lens Color
OVSASBC2R8	AllnGaP	Red	900	Water Clear



1, 2, 3 CATHODE 4 ANODE
 DIMENSIONS ARE IN INCHES AND [MILLIMETERS].



ATTENTION
 OBSERVE PRECAUTIONS
 ELECTROSTATIC
 SENSITIVE DEVICES

Data is subject to change without prior notice.

Red PLCC4 Surface Mount LED

OVSASBC2R8



Absolute Maximum Ratings

T_A = 25° C unless otherwise noted

Storage Temperature Range	-40 ~ +100°C
Operating Temperature Range	-40 ~ +100°C
Junction Temperature	110°C
Reverse Voltage	5 V
Continuous Forward Current	70 mA
Peak Forward Current (10% Duty Cycle, PW ≤ 100 μsec)	200 mA
Power Dissipation	225 mW

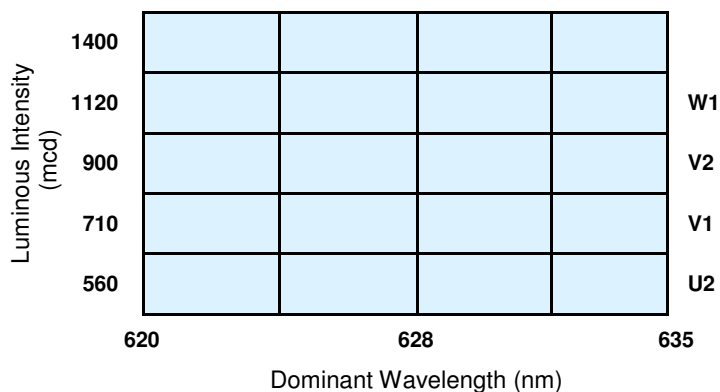
Electrical Characteristics

T_A = 25° C unless otherwise noted

SYMBOL	PARAMETER	MIN	TYP	MAX	UNITS	CONDITIONS
I _V	Luminous Intensity	560	900	----	mcd	I _F = 50mA
V _F	Forward Voltage	----	2.5	3.2	V	I _F = 50mA
I _R	Reverse Current	----	----	10	μA	V _R = 5V
λ _D	Dominant Wavelength	620	628	635	nm	I _F = 50mA
2 Θ _{1/2}	50% Power Angle	----	120	----	deg	I _F = 50mA

Standard Bins (I_F = 50mA)

Lamps are sorted to luminous intensity (I_V) and dominant wavelength (λ_D) bins shown. Orders for OVSASBC2R8 may be filled with any or all bins contained as below.

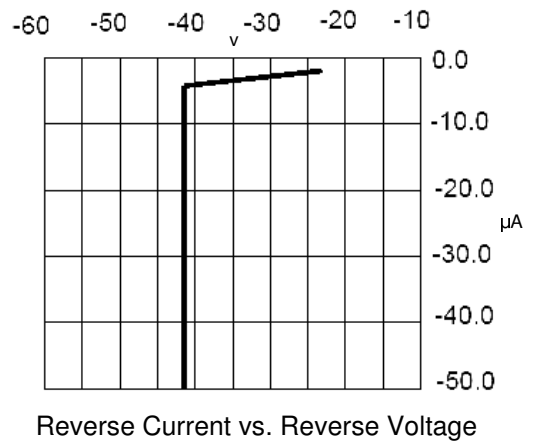
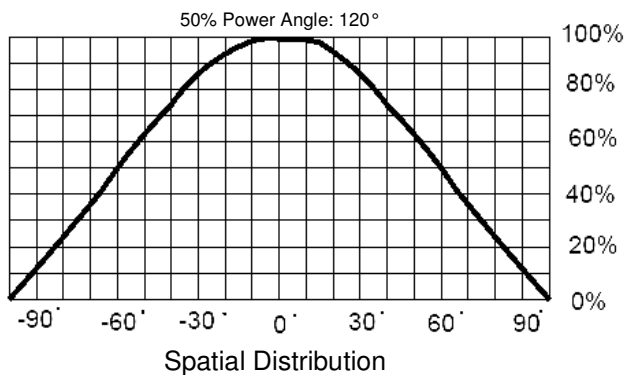
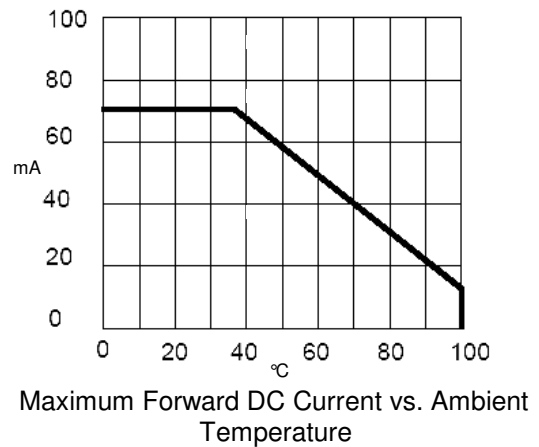
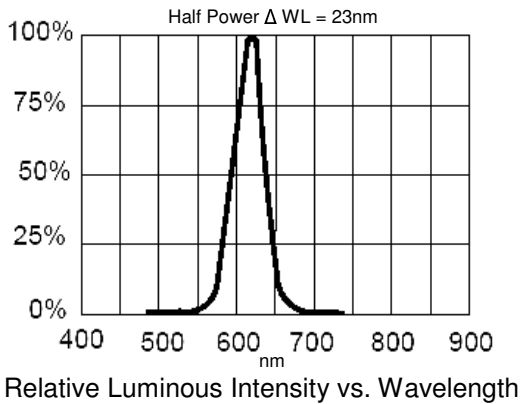
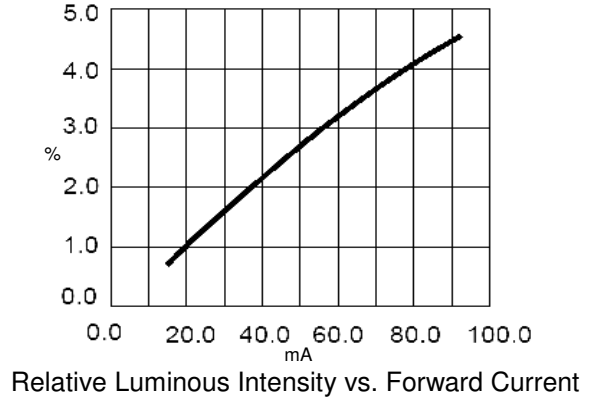
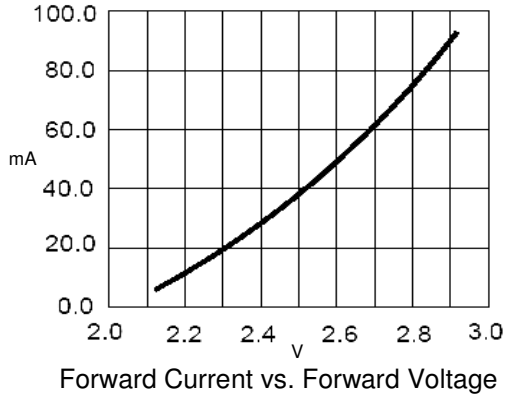


Luminous intensity is at U2 bin or above.

Important Notes:

- All ranks will be included per delivery, rank ratio will be based on the chip distribution.
- To designate luminous intensity ranks, please contact OPTEK.

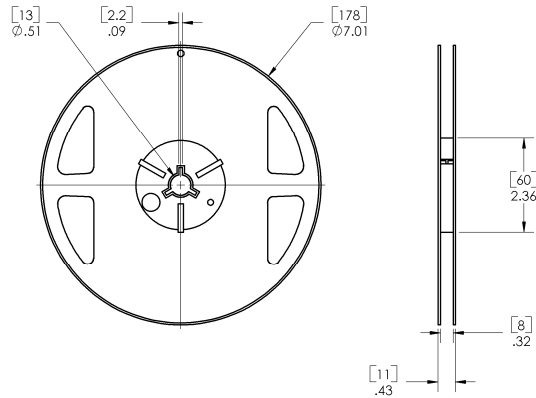
Typical Electro-Optical Characteristics Curves



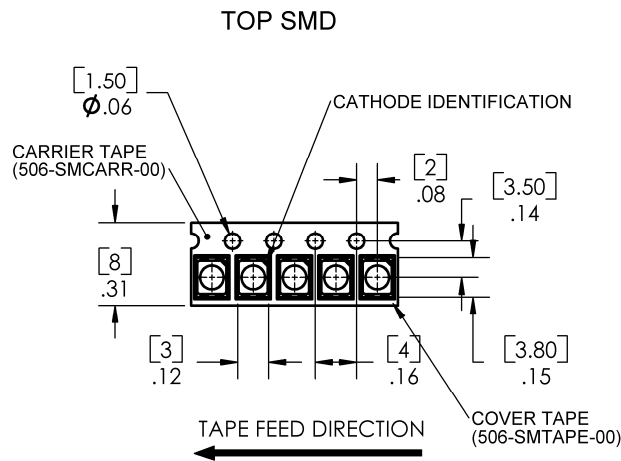
Red PLCC4 Surface Mount LED

OVSASBC2R8

Reel Dimensions (7 Inch)



Carrier Tape Dimensions: Loaded Quantity 2000 PCS per Reel



Moisture Resistant Packaging

