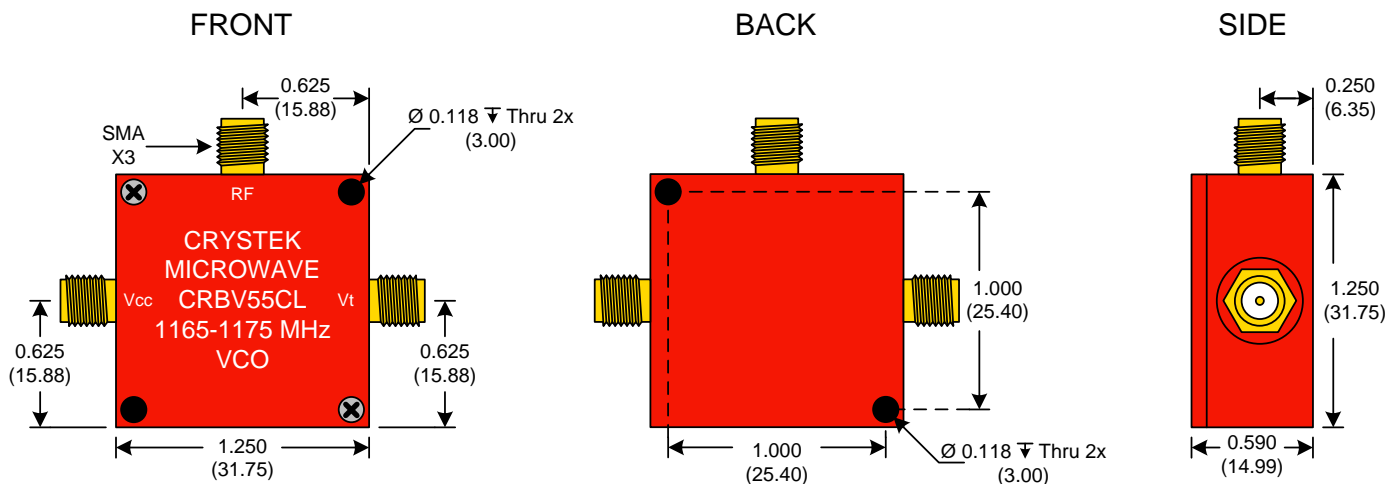




PERFORMANCE SPECIFICATION	MIN	TYP	MAX	UNITS
Lower Frequency:			1165	MHz
Upper Frequency:	1175			MHz
Tuning Voltage:	0.5		4.5	VDC
Supply Voltage:	4.75	5.0	5.25	VDC
Output Power:	0	+2.5	+5.0	dBm
Supply Current:		35	40	mA
Harmonic Suppression (2 <sup>nd</sup> Harmonic)			-20	dBc
Pushing:		0.2	0.7	MHz/V
Pulling, all Phases:		0.2	0.7	MHz pk-pk
Tuning Sensitivity:		10		MHz/V
Phase Noise @ 10kHz offset:		-110		dBc/Hz
Phase Noise @ 100kHz offset:		-130		dBc/Hz
Load Impedance:		50		$\Omega$
Input Capacitance:			47	pF
Operating Temperature Range:	-40		+85	$^{\circ}\text{C}$
Storage Temperature Range:	-45		+90	$^{\circ}\text{C}$



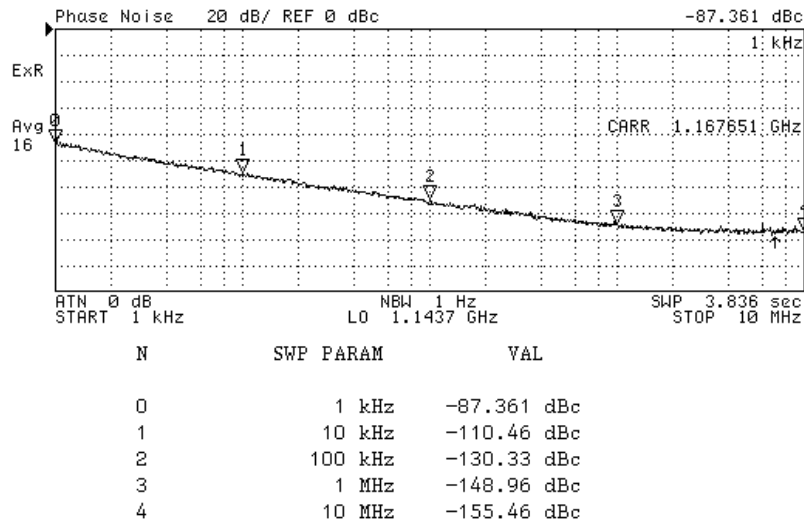
● Unless otherwise specified, Dimensions are in:  $\frac{\text{IN}}{\text{mm}}$

**Product Control:**

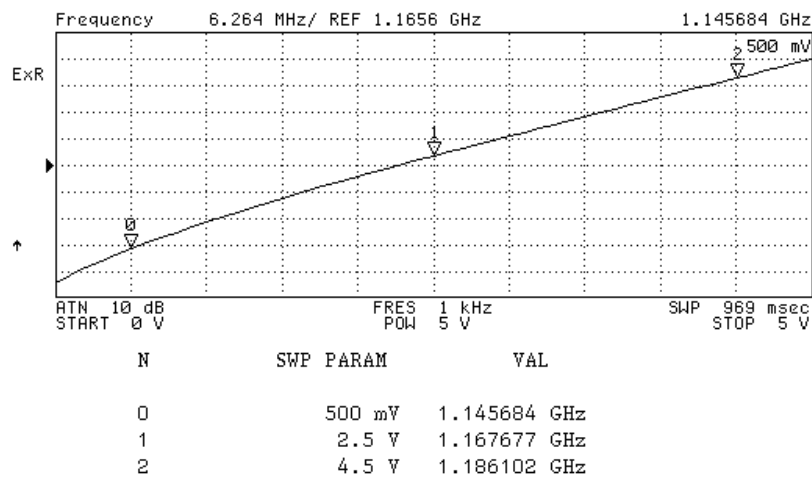
Crystek Part Number:	CRBV55CL-1165-1175	Release Date:	08-Jan-08
Revision Level:	A	Responsible:	C. Vales



Phase Noise (1 Hz BW, Typical)



Tuning Curve (Typical)



**Product Control:**

Crystek Part Number:	CRBV55CL-1165-1175	Release Date:	08-Jan-08
Revision Level:	A	Responsible:	C. Vales

Specification is subject to change without notice