

Low Voltage, Low On-Resistance, Dual DPDT/Quad SPDT Analog Switch

DESCRIPTION

The DG2788/DG2789 are monolithic CMOS analog switching products designed for high performance switching of analog signals. Combining low power, high speed, low on-resistance and small physical size, the DG2788/DG2789 are ideal for portable and battery powered applications requiring high performance and efficient use of board space.

The DG2788/DG2789 are built on Vishay Siliconix's low voltage process. An epitaxial layer prevents latchup. Break-before-make is guaranteed.

The switch conducts equally well in both directions when on, and blocks up to the power supply level when off. The DG2788 is configured as a dual Double Pole Double Throw switches while the DG2789 is configured as a Quad Single Pole Double Throw. The DG2789 has one control pin for all four SPDT switches and also has an enable pin that can turn all switches off.

The DG2788 and DG2789 comes in a small miniQFN-16 lead package (2.6 x 1.8 x 0.75 mm).

As a committed partner to the community and the environment, Vishay Siliconix manufactures this product with the lead (Pb)-free device terminations and is 100 % RoHS compliant.

FEATURES

- Low Voltage Operation (1.65 V to 4.3 V)
- Low On-Resistance - r_{ON} : 0.4 Ω Typ. at 2.7 V
- Fast Switching: t_{ON} = 47 ns
 t_{OFF} = 15 ns
- miniQFN-16 Package
- Latch-Up Current > 300 mA (JESD78)


RoHS
COMPLIANT

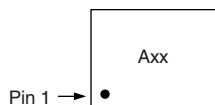
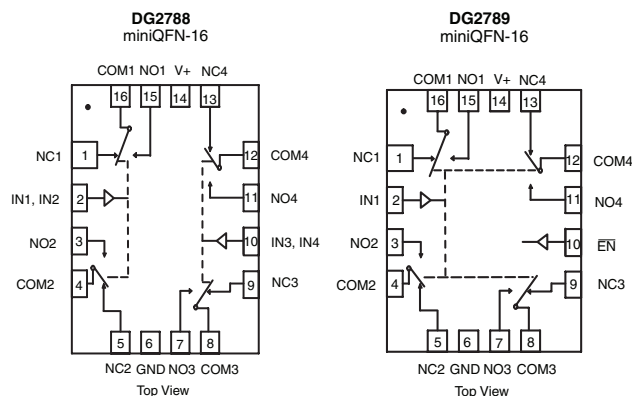
BENEFITS

- Reduced Power Consumption
- High Accuracy
- Reduce Board Space
- TTL/1.8 V Logic Compatible
- High Bandwidth

APPLICATIONS

- Cellular Phones
- Speaker Headset Switching
- Audio and Video Signal Routing
- PCMCIA Cards
- Battery Operated Systems

FUNCTIONAL BLOCK DIAGRAM AND PIN CONFIGURATION



Device Marking: Axx for DG2788
Bxx for DG2789
xx = Date/Lot Traceability Code
Note: Pin 1 has long lead

TRUTH TABLE DG2788

Logic	NC1, 2, 3 and 4	NO1, 2, 3 and 4
0	ON	OFF
1	OFF	ON

TRUTH TABLE DG2789

EN Logic	IN Logic	NC1, 2, 3 and 4	NO1, 2, 3 and 4
0	0	ON	OFF
0	1	OFF	ON
1	x	OFF	OFF

ORDERING INFORMATION

Temp Range	Package	Part Number
- 40 to 85 °C	miniQFN-16	DG2788DN-T1-E4 DG2789DN-T1-E4



ABSOLUTE MAXIMUM RATINGS $T_A = 25\text{ }^\circ\text{C}$, unless otherwise noted				
Parameter		Symbol	Limit	Unit
Reference to GND	V+		- 0.3 to 5.0	V
	IN, COM, NC, NO ^a		- 0.3 to (V+ + 0.3)	
Current (Any terminal except NO, NC or COM)			30	mA
Continuous Current (NO, NC, or COM)			± 300	
Peak Current (Pulsed at 1 ms, 10 % duty cycle)			± 500	
Storage Temperature (D Suffix)			- 65 to 150	°C
Package Solder Reflow Conditions ^d	miniQFN-16		250	
Power Dissipation (Packages) ^b	miniQFN-16 ^c		525	mW

Notes:

- a. Signals on NC, NO, or COM or IN exceeding V+ will be clamped by internal diodes. Limit forward diode current to maximum current ratings.
- b. All leads welded or soldered to PC Board.
- c. Derate 6.6 mW/°C above 70 °C
- d. Manual soldering with iron is not recommended for leadless components. The miniQFN-16 is a leadless package. The end of the lead terminal is exposed copper (not plated) as a result of the singulation process in manufacturing. A solder fillet at the exposed copper lip cannot be guaranteed and is not required to ensure adequate bottom side solder interconnection.



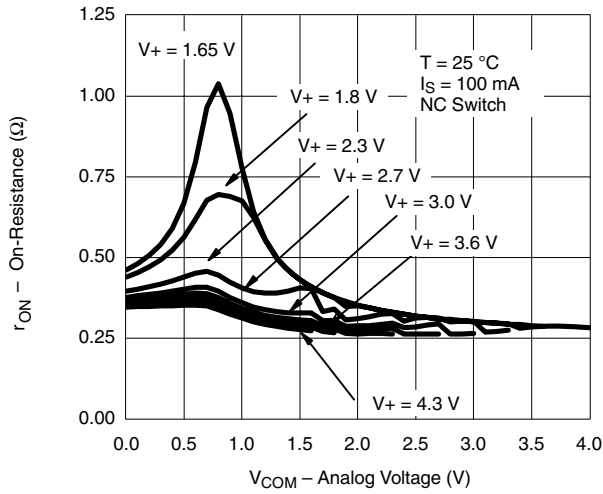
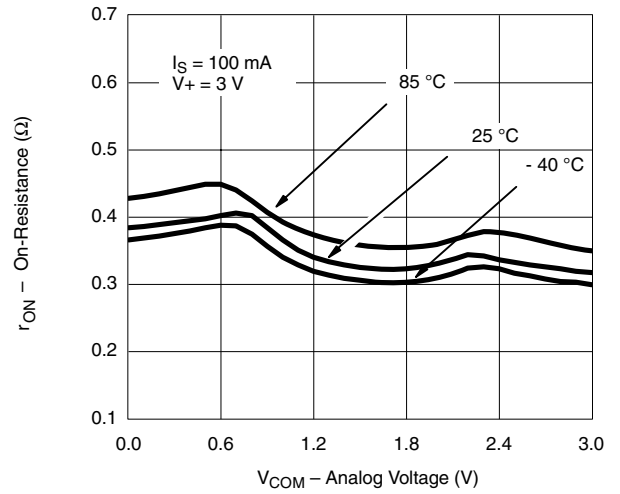
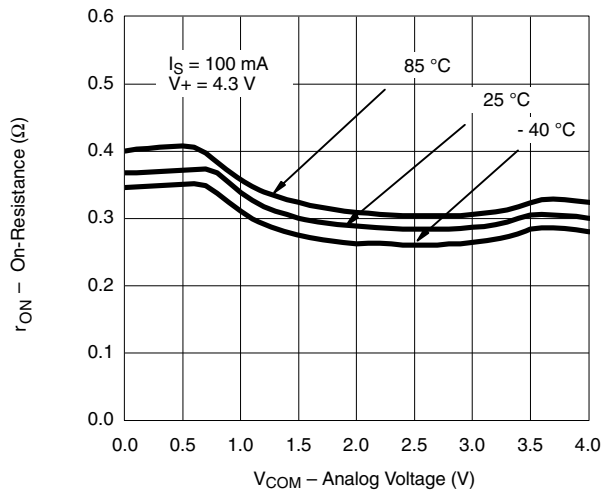
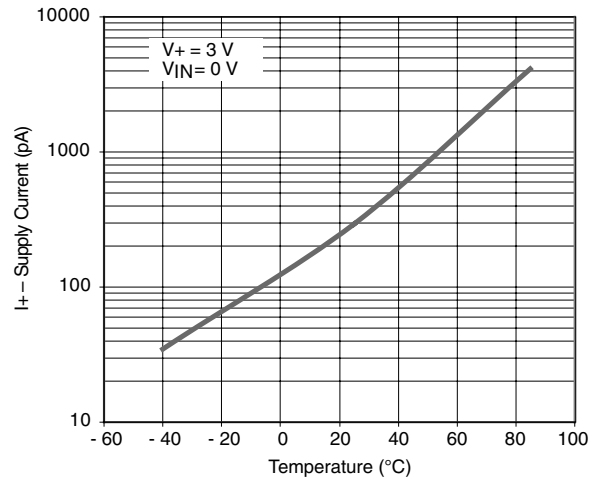
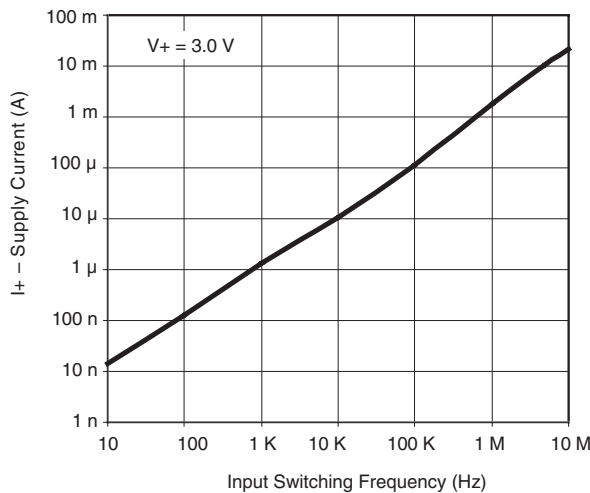
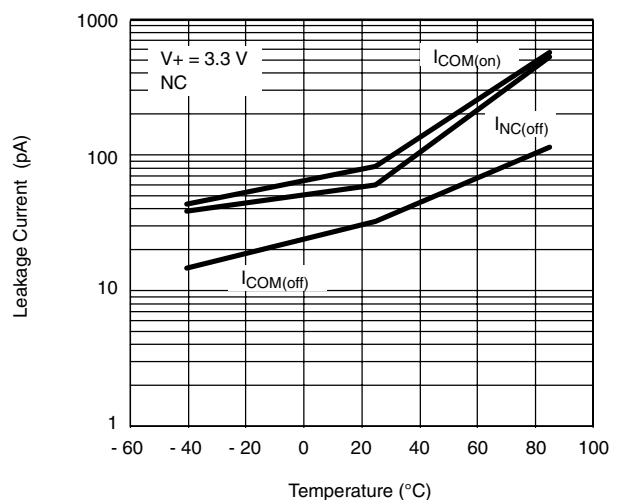
SPECIFICATIONS (V+ = 3 V)								
Parameter	Symbol	Test Conditions Otherwise Unless Specified V+ = 3 V, ± 10 %, VIN = 0.5 or 1.4 V ^e	Temp ^a	Limits - 40 to 85 °C			Unit	
				Min ^b	Typ ^c	Max ^b		
Analog Switch								
Analog Signal Range ^d	V _{NO} , V _{NC} , V _{COM}		Full	0		V+	V	
On-Resistance	r _{ON}	V+ = 2.7 V, V _{COM} = 0.5 V, I _{NO} , I _{NC} = 100 mA	Room		0.4	0.5	Ω	
		V+ = 2.7 V, V _{COM} = 1.5 V, I _{NO} , I _{NC} = 100 mA			0.33			
			Full			0.56		
r _{ON} Flatness ^d	r _{ON} Flatness	V+ = 2.7 V, V _{COM} = 0 to V+, I _{NO} , I _{NC} = 100 mA	Room		0.1	0.15	Ω	
r _{ON} Match ^d	Δr _{ON}		Room		0.05			
Switch Off Leakage Current	I _{NO(off)} , I _{NC(off)}	V+ = 3.3 V, V _{NO} , V _{NC} = 0.3 V/3.0 V, V _{COM} = 3.0 V/0.3 V	Room	- 1		1	nA	
	I _{COM(off)}		Full	- 10		10		
Channel-On Leakage Current	I _{COM(on)}	V+ = 3.3 V, V _{NO} , V _{NC} = V _{COM} = 0.3 V/3.0 V	Room	- 1		1		
			Full	- 10		10		
Digital Control								
Input High Voltage	V _{INH}		Full	1.4			V	
Input Low Voltage	V _{INL}		Full			0.5		
Input Capacitance	C _{in}		Full		6		pF	
Input Current	I _{INL} or I _{INH}	V _{IN} = 0 or V+	Full	- 1		1	μA	
Dynamic Characteristics								
Turn-On Time	t _{ON}	V _{NO} or V _{NC} = 1.5 V, R _L = 50 Ω, C _L = 35 pF	Room		47	72	ns	
Turn-Off Time	t _{OFF}		Full					75
			Full		15	43		45
Break-Before-Make Time	t _d		Full	1				
Charge Injection ^d	Q _{INJ}	C _L = 1 nF, V _{GEN} = 0 V, R _{GEN} = 0 Ω	Room		87		pC	
Off-Isolation ^d	OIRR	R _L = 50 Ω, C _L = 5 pF, f = 100 kHz	Room		- 69		dB	
		R _L = 50 Ω, C _L = 5 pF, f = 1 MHz			- 49			
Crosstalk ^{d, f}	X _{TALK}	R _L = 50 Ω, C _L = 5 pF, f = 100 kHz			- 106			
		R _L = 50 Ω, C _L = 5 pF, f = 1 MHz			- 96			
N _O , N _C Off Capacitance ^d	C _{NO(off)}	f = 1 MHz	Room		81		pF	
	C _{NC(off)}		Room		81			
Channel-On Capacitance ^d	C _{NO(on)}		Room		186			
	C _{NC(on)}		Room		186			
Power Supply								
Power Supply Range	V+			2.7		3.3	V	
Power Supply Current	I+	V _{IN} = 0 or V+	Full			1.0	μA	

SPECIFICATIONS (V+ = 4.3 V)							
Parameter	Symbol	Test Conditions Otherwise Unless Specified V+ = 4.3 V, V _{IN} = 0.5 or 1.6 V ^e	Temp ^a	Limits - 40 to 85 °C			Unit
				Min ^b	Typ ^c	Max ^b	
Analog Switch							
Analog Signal Range ^d	V _{NO} , V _{NC} , V _{COM}		Full	0		V+	V
On-Resistance	r _{ON}	V+ = 4.3 V, V _{COM} = 0.9 V, I _{NO} , I _{NC} = 100 mA	Room		0.32	0.45	Ω
		V+ = 4.3 V, V _{COM} = 2.5 V, I _{NO} , I _{NC} = 100 mA	Room		0.27		
			Full			0.5	
r _{ON} Flatness ^d	r _{ON} Flatness	V+ = 4.3 V, V _{COM} = 0 to V+, I _{NO} , I _{NC} = 100 mA	Room		0.1	0.15	Ω
r _{ON} Match ^d	Δr _{ON}		Room		0.03		
Switch Off Leakage Current ^d	I _{NO(off)} , I _{NC(off)}	V+ = 4.3 V, V _{NO} , V _{NC} = 0.3 V / 4.0 V, V _{COM} = 4.0 V / 0.3 V	Room	-10		10	nA
	I _{COM(off)}		Full	- 100		100	
Channel-On Leakage Current ^d		I _{COM(on)}	Room	- 10		10	
		V+ = 4.3 V, V _{NO} , V _{NC} = V _{COM} = 3.0 V / 4.0 V	Full	- 100		100	
Digital Control							
Input High Voltage	V _{INH}		Full	1.6			V
Input Low Voltage	V _{INL}		Full			0.5	
Input Capacitance	C _{in}		Full		6		pF
Input Current	I _{INL} or I _{INH}	V _{IN} = 0 or V+	Full	- 1		1	μA
Dynamic Characteristics							
Charge Injection ^d	Q _{INJ}	C _L = 1 nF, V _{GEN} = 0 V, R _{GEN} = 0 Ω	Room		105		pC
N _O , N _C Off Capacitance ^d	C _{NO(off)}	f = 1 MHz	Room		79		pF
	C _{NC(off)}		Room		79		
Channel-On Capacitance ^d	C _{NO(on)}		Room		183		
	C _{NC(on)}		Room		183		
Power Supply							
Power Supply Range	V+					4.3	V
Power Supply Current	I+	V _{IN} = 0 or V+	Full			1.0	μA

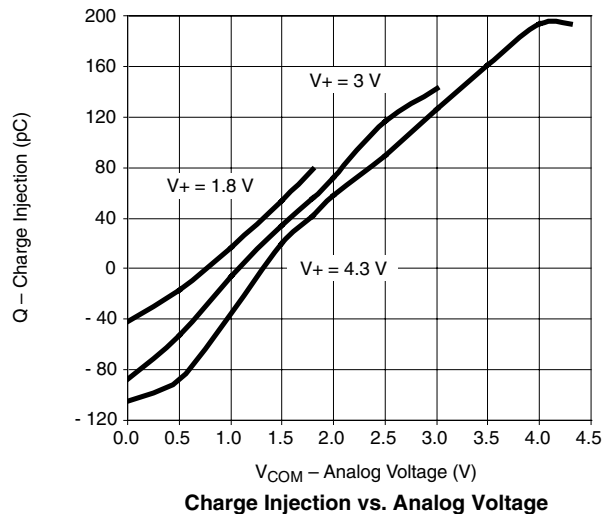
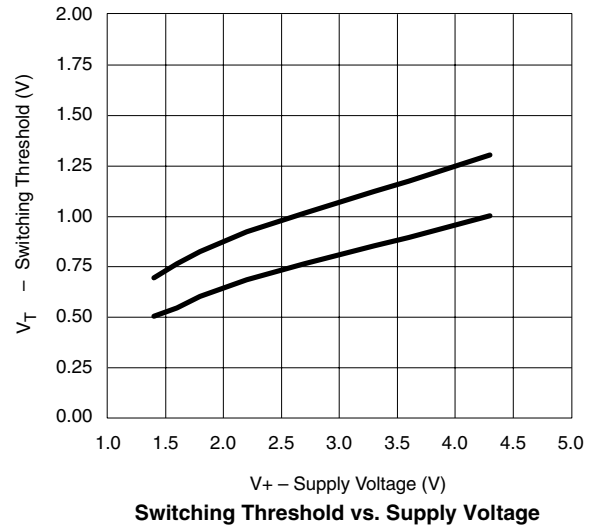
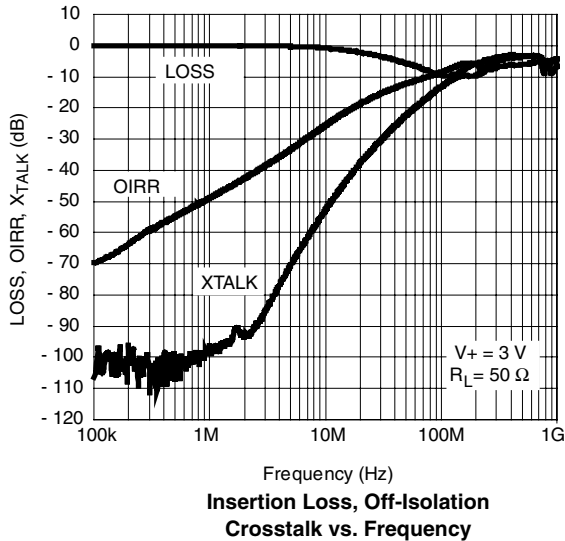
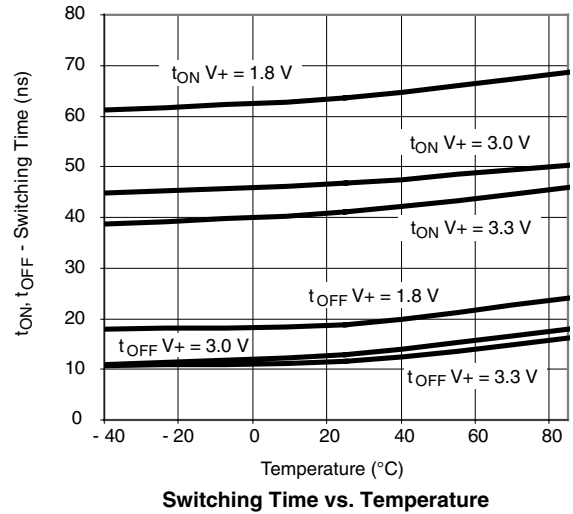
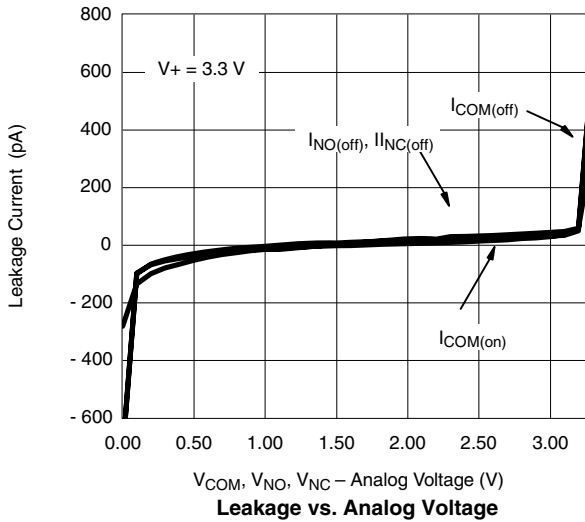
Notes:

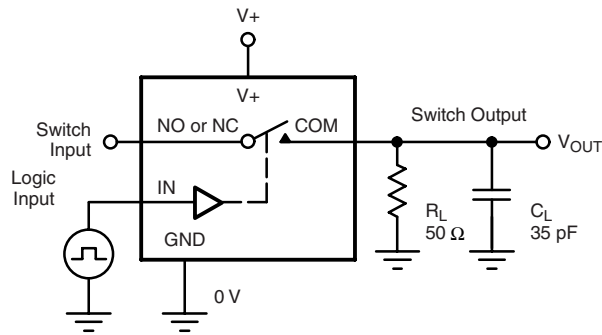
- a. Room = 25 °C, Full = as determined by the operating suffix.
- b. The algebraic convention whereby the most negative value is a minimum and the most positive a maximum, is used in this data sheet.
- c. Typical values are for design aid only, not guaranteed nor subject to production testing.
- d. Guarantee by design, not subjected to production test.
- e. V_{IN} = input voltage to perform proper function.
- f. Crosstalk measured between channels.

Stresses beyond those listed under "Absolute Maximum Ratings" may cause permanent damage to the device. These are stress ratings only, and functional operation of the device at these or any other conditions beyond those indicated in the operational sections of the specifications is not implied. Exposure to absolute maximum rating conditions for extended periods may affect device reliability.

TYPICAL CHARACTERISTICS $T_A = 25\text{ }^\circ\text{C}$, unless otherwise noted

 r_{ON} vs. V_{COM} and Supply Voltage

 r_{ON} vs. Analog Voltage and Temperature

 r_{ON} vs. Analog Voltage and Temperature

Supply Current vs. Temperature

Supply Current vs. Input Switching Frequency

Leakage Current vs. Temperature

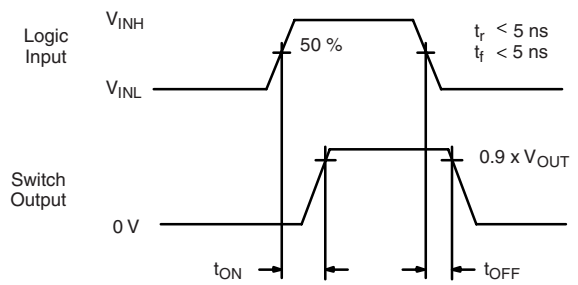
TYPICAL CHARACTERISTICS $T_A = 25\text{ }^\circ\text{C}$, unless otherwise noted



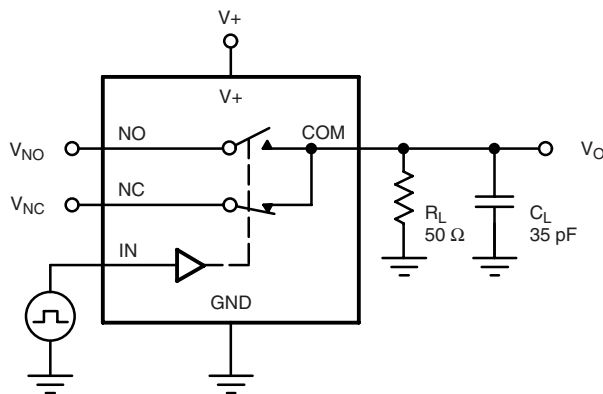
TEST CIRCUITS


C_L (includes fixture and stray capacitance)

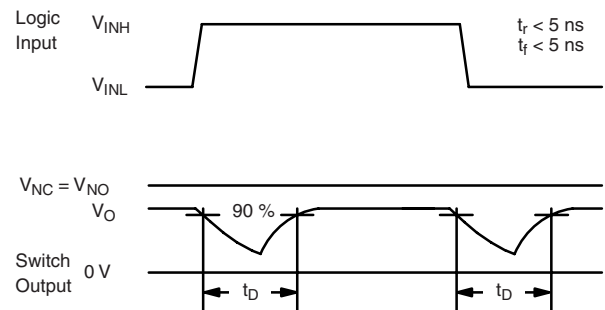
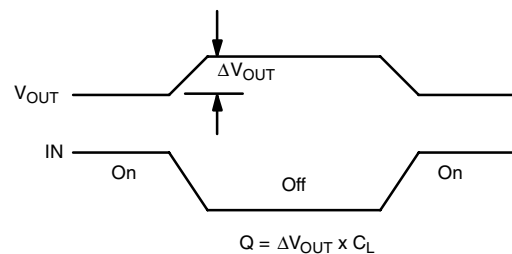
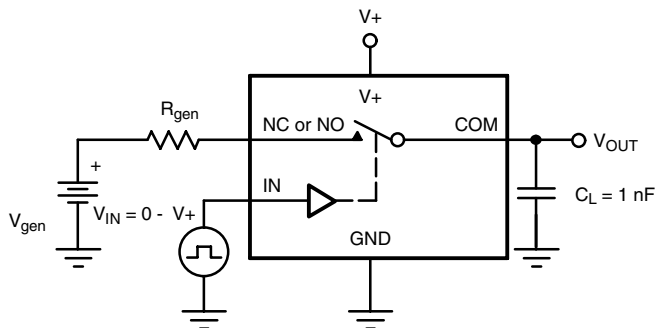
$$V_{OUT} = V_{COM} \left(\frac{R_L}{R_L + R_{ON}} \right)$$



Logic "1" = Switch On
 Logic input waveforms inverted for switches that have the opposite logic sense.

Figure 1. Switching Time


C_L (includes fixture and stray capacitance)


Figure 2. Break-Before-Make Interval


IN depends on switch configuration: input polarity determined by sense of switch.

Figure 3. Charge Injection

TEST CIRCUITS

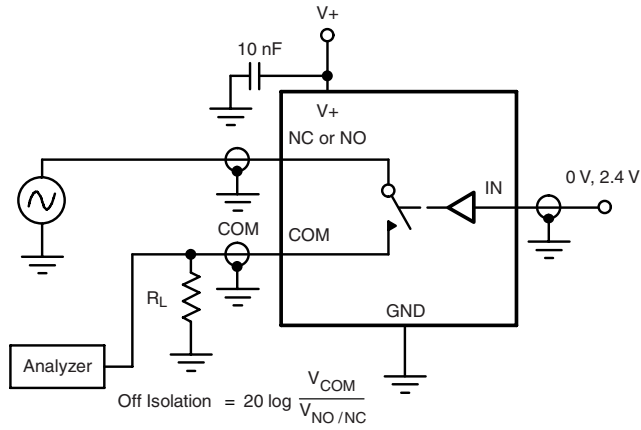


Figure 4. Off-Isolation

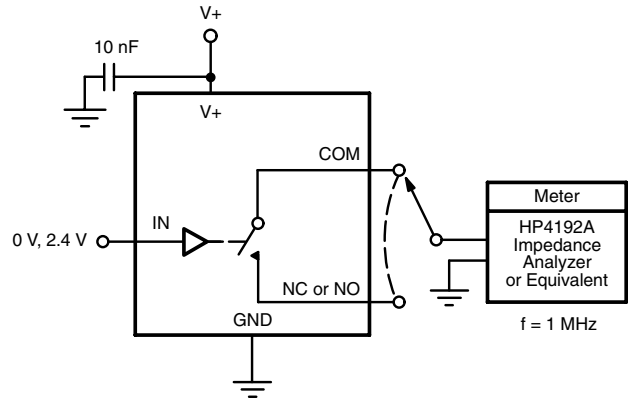


Figure 5. Channel Off/On Capacitance

Vishay Siliconix maintains worldwide manufacturing capability. Products may be manufactured at one of several qualified locations. Reliability data for Silicon Technology and Package Reliability represent a composite of all qualified locations. For related documents such as package/tape drawings, part marking, and reliability data, see <http://www.vishay.com/ppg?73863>.



Disclaimer

All product specifications and data are subject to change without notice.

Vishay Intertechnology, Inc., its affiliates, agents, and employees, and all persons acting on its or their behalf (collectively, "Vishay"), disclaim any and all liability for any errors, inaccuracies or incompleteness contained herein or in any other disclosure relating to any product.

Vishay disclaims any and all liability arising out of the use or application of any product described herein or of any information provided herein to the maximum extent permitted by law. The product specifications do not expand or otherwise modify Vishay's terms and conditions of purchase, including but not limited to the warranty expressed therein, which apply to these products.

No license, express or implied, by estoppel or otherwise, to any intellectual property rights is granted by this document or by any conduct of Vishay.

The products shown herein are not designed for use in medical, life-saving, or life-sustaining applications unless otherwise expressly indicated. Customers using or selling Vishay products not expressly indicated for use in such applications do so entirely at their own risk and agree to fully indemnify Vishay for any damages arising or resulting from such use or sale. Please contact authorized Vishay personnel to obtain written terms and conditions regarding products designed for such applications.

Product names and markings noted herein may be trademarks of their respective owners.