



LBS19901 SAW Filter Technical Specification

S P
LBS19901

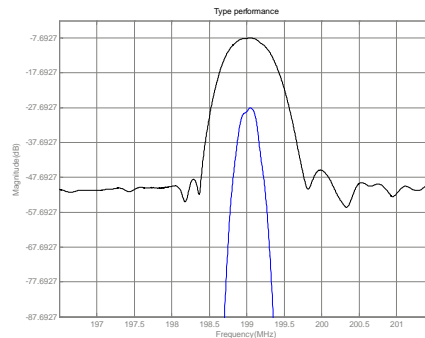
Absolute Maximum Ratings

Rating	Value	Units
Maximum Incident Power in Passband	+10	dBm
Max. DC voltage between any 2 terminals	30	VDC
Storage Temperature Range	-40 to +85	°C
Max Soldering Profile	265°C for 10 s	

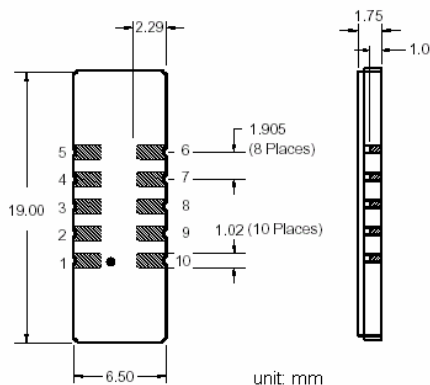
Electrical Characteristics

Characteristic	Sym	Min	Typ	Max	Units
Nominal Center Frequency	fC	199			MHz
Passband	Insertion Loss at fC		5.5	7.0	dB
	1 dB Passband	BW1	± 100	± 140	kHz
	Group Delay Variation over fC ±100 kHz	GDV		300	500
Rejection	fC-800 to fC-600 and fC+600 to fC+800 KHz		18	20	dB
	119 MHz to fC-800KHz		45	50	
	fC+800KHz to 278MH		37	40	
Operating Temperature Range	TA	-10		85	°C
Impedance Matching to 50 Ω unbalanced	External L-C				
Case Style	SMP-75	19.0 x 6.5 mm Nominal Footprint			

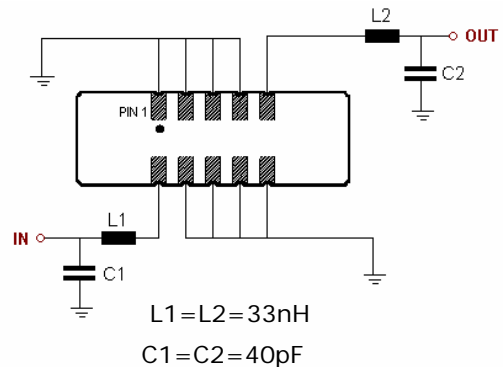
Frequency Response



Package Outline



Matching Configuration



Notes - Component values may change depending on board layout.