

NX3225SC

For Car Electronics

■ Features

A small surface-mount type crystal unit, ideal for an engine control CPU clock; delivering the high reliability that is particularly demanded by car electronics.

- Ultra compact and thin. (3.2 × 2.5 × 0.6mm typ.)
- With a well established reputation for reliability, this product is best suited for car electronics equipment.
- Excellent environmental characteristics, including heat, vibration and shock resistance.
- Highly resistant to solder cracking.
- Lead-free. Meets the requirements for re-flow profiling using lead-free solder.
- Conforms to AEC-Q20



Pb Free

RoHS Compliant
Directive 2002/95/EC

■ Specifications

Item	Model	NX3225SC
Frequency Range		9.84375 to 40MHz
Overtone Order		Fundamental
Frequency Tolerance (25 ±3°C)		±50 × 10 ⁻⁶
Temperature Characteristics (with reference to +25°C)		±150 × 10 ⁻⁶
Operating Temperature Range		-40 to +125°C
Equivalent Series Resistance		Refer to *1
Drive Level		10μW(Max:200μW)
Load Capacitance		8pF

The above specifications are standard for this NDK product.

Custom-made specifications such as load capacitance and temperature characteristics are also available.

Please contact NDK sales with your enquiries.

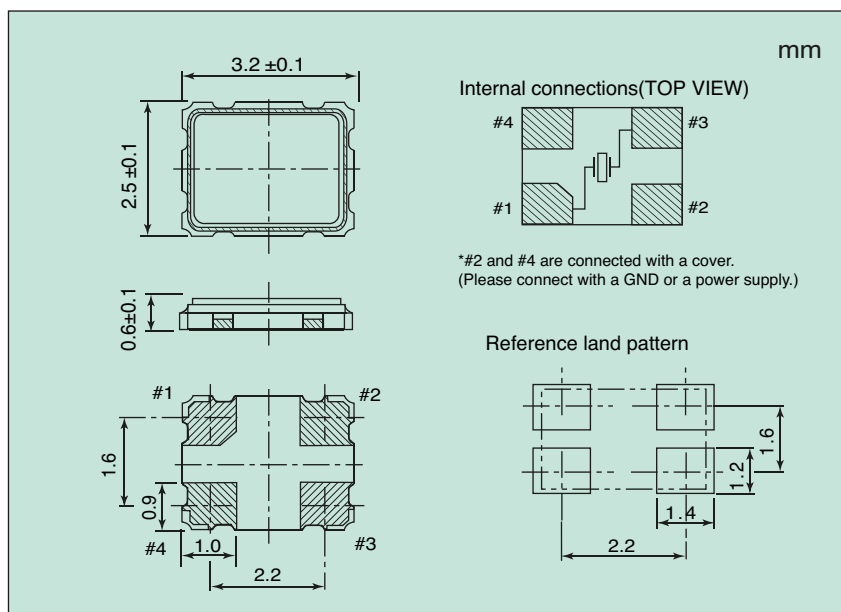
■ How to Specify an Order

When ordering our products, specify them with an "Ordering Code" that consists of the following :

Model name - Frequency (Max : 9 digits) M - Number for specifying an order Example NX3225SC-9.84375M-STD-CRS-1

If you have any queries concerning our standard frequencies and numbers for specifying orders, please contact our sales representatives or visit our homepage (<http://www.ndk.com/>).

■ Dimensions



*1 Equivalent Series Resistance

Frequency (MHz) (Range)	Equivalent Series Resistance max.[Ω]
9.84375 to 16	300
16 to 30	220
30 to 40	150