

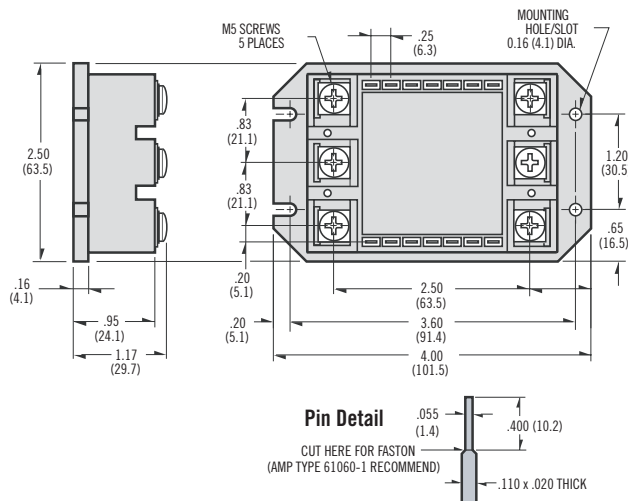


These circuits provide complete power control in a single package, utilizing high thermal efficiency to assure long life and reliable performance. Twelve standard models provide 2500 Vrms isolation from all terminals to ceramic base and are UL recognized E72445.

■ **High Thermal Efficiency**

Mechanical Dimensions

All dimensions are in inches (millimeters)



Electrical Specifications

		D E F G (See Part Number Identification for Ratings of Single-Phase, Three-Phase and AC Switch Circuits)			
I_D	Maximum DC Output Current @ $T_c = 85^\circ\text{C}$ (A)				
V_F	Maximum Voltage Drop @ Amps Peak	1.7V @ 50A	1.85@75A	1.4V@100A	1.55V@125A
T_J	Operating Junction Temperature Range	-40°C to +125°C			
di/dt	Critical Rate of Rise of On-State Current @ $T_J=125^\circ\text{C}$ (A/ μs)	100			
dv/dt	Critical Rate of Rise of Off-State Voltage	500			
V_{RMS}	Repetitive Peak Reverse Voltage (AC Line Input Voltage)	400 (120Vac) 600 (240Vac) 800 (280Vac) 1000 (380Vac) 1200 (480Vac) 1400 (530Vac)			
I_{TSM}	Maximum Non-Repetitive Surge Current (A) [$1/2$ Cycle, 60Hz]	400	600	1500	1960
I^2T	Maximum I^2T for Fusing ($A^2\text{-sec}$) [$t=8.3\text{ms}$]	670	1500	9350	15800
I_{GT}	Maximum Required Gate Current to Trigger @ 25°C (mA)	60	80	150	150
V_{GT}	Maximum Required Gate Voltage to Trigger @ 25°C (V)	2.5	3.0	3.0	3.0
$P_{G(AV)}$	Average Gate Power	0.5W			
V_{GM}	Maximum Peak Gate Voltage (Reverse)	5.0V			
$R_{\theta JC}$	Maximum Thermal Resistance Junction to Ceramic Base per Chip	0.8°C/W	0.7°C/W	0.36°C/W	0.3°C/W
V_{ISOL}	Isolation Voltage	2500 V_{RMS}			

Mechanical Specifications

Weight (Typical)	7.0 oz. (198g)
------------------	----------------

ISO9001 CERTIFIED

Competitive part number cross-reference available at: www.cynergy3.com

Approvals

UL - E72445

USA

Sales & Tech Support (866) 258-5057
 Email: sales@cynergy3.com
 Cynergy3 Components
 2320 Paseo de las Americas, Suite 104
 San Diego, CA 92154

EUROPE - UK

Telephone +44 (0) 1202 897969
 Fax +44 (0) 1202 891918
 Email: sales@cynergy3.com
 Cynergy3 Components Ltd.
 7 Cobham Road
 Ferndown Industrial Estate
 Wimborne, Dorset BH21 7PE

ASIA - Thailand

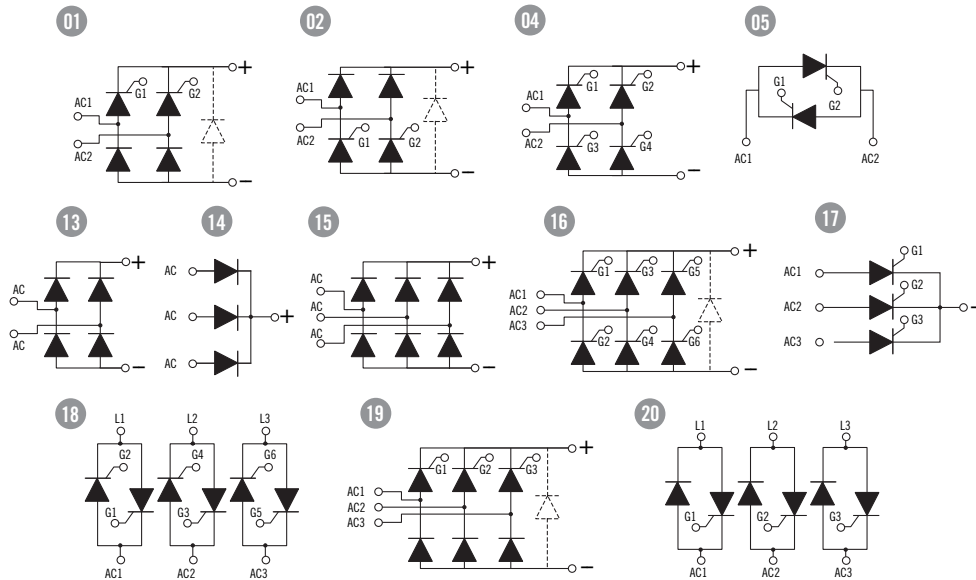
Telephone +66 (0)2 665 2517
 Fax +66 (0)2 665 2588
 Cynergy 3 Components, Asia
 18/8 Fico Place 12th Floor
 Soi Sukhumvit 21 (Asoke)
 Klongtoey Nua, Wattana
 Bangkok, Thailand 10110



Part Number Identification

Series	Current (Amps)	Circuit Type	Voltage	Options
	1Ø 3Ø AC SW			
EF	D - 50 70 55	(see schematic diagrams)	B - 400 (120Vac)	F - Free Wheeling Diode (Circuits 1, 2, 16 and 19)
	E - 75 100 85		C - 500 (240Vac)	
	F - 100 135 110		E - 1000 (380Vac)	
	G - 125 170 140	Example: 01	F - 1200 (480Vac)	
			G - 1400 (530Vac)	

Example: EFD02CF



ISO9001 CERTIFIED

Competitive part number cross-reference available at: www.cynergy3.com

Approvals

UL - E72445

USA

Sales & Tech Support (866) 258-5057

Email: sales@cynergy3.com

Cynergy3 Components

2320 Paseo de las Americas, Suite 104

San Diego, CA 92154

EUROPE - UK

Telephone +44 (0) 1202 897969

Fax +44 (0) 1202 891918

Email: sales@cynergy3.com

Cynergy3 Components Ltd.

7 Cobham Road

Ferndown Industrial Estate

Wimborne, Dorset BH21 7PE

ASIA - Thailand

Telephone +66 (0)2 665 2517

Fax +66 (0)2 665 2588

Cynergy 3 Components, Asia

18/8 Fico Place 12th Floor

Soi Sukhumvit 21 (Asoke)

Klongtoey Nua, Wattana

Bangkok, Thailand 10110