



SANYO Semiconductors

DATA SHEET

LA75520KVA — Monolithic Linear IC IF Signal Processing (VIF+SIF) IC that Supports the PAL Video Standard for TV Sets and VCRs

Overview

The LA75520KVA is a fully adjustment-free VIF + SIF signal processing IC for TV sets and VTRs that supports the PAL video standard. It supports 38.0MHz, 38.9MHz, and 39.5MHz as the IF frequencies, as well as PAL sound multi-system (M/N, B/G, I and D/K), and contains an on-chip sound carrier trap. The IC employs a 4MHz frequency (which can be switched to 4.43MHz) as the reference frequency of the adjustment free circuit, and controls the VCO, AFT, and sound filter using an external input signal.

Features

- Internal VCO adjustment free circuit eliminating the need for an external VCO coil.
- Internal sound carrier trap enables easy configuration of PAL sound multi-system at low cost.
- Considerably reduces the number of required peripheral parts.
- Use of digital AFT eliminates a problem of AFT tolerance.
- Package: SSOP24 (225mil)

Functions

- VIF amplifier
- Adjustment-free VCO and PLL detector circuit
- Digital AFT circuit
- RF AGC
- Buzz canceller
- EQAMP
- Internal sound carrier trap
- First SIF detector circuit
- PLL-FM detector circuit

■ Any and all SANYO Semiconductor Co.,Ltd. products described or contained herein are, with regard to "standard application", intended for the use as general electronics equipment (home appliances, AV equipment, communication device, office equipment, industrial equipment etc.). The products mentioned herein shall not be intended for use for any "special application" (medical equipment whose purpose is to sustain life, aerospace instrument, nuclear control device, burning appliances, transportation machine, traffic signal system, safety equipment etc.) that shall require extremely high level of reliability and can directly threaten human lives in case of failure or malfunction of the product or may cause harm to human bodies, nor shall they grant any guarantee thereof. If you should intend to use our products for applications outside the standard applications of our customer who is considering such use and/or outside the scope of our intended standard applications, please consult with us prior to the intended use. If there is no consultation or inquiry before the intended use, our customer shall be solely responsible for the use.

■ Specifications of any and all SANYO Semiconductor Co.,Ltd. products described or contained herein stipulate the performance, characteristics, and functions of the described products in the independent state, and are not guarantees of the performance, characteristics, and functions of the described products as mounted in the customer's products or equipment. To verify symptoms and states that cannot be evaluated in an independent device, the customer should always evaluate and test devices mounted in the customer's products or equipment.

SANYO Semiconductor Co., Ltd.

TOKYO OFFICE Tokyo Bldg., 1-10, 1 Chome, Ueno, Taito-ku, TOKYO, 110-8534 JAPAN

LA75520KVA

Specifications

Maximum Ratings at Ta = 25°C

Parameter	Symbol	Conditions	Ratings	Unit
Maximum supply voltage	V _{CC}		6	V
Allowable power dissipation	Pd max	Ta ≤ 70°C, Mounted on a substrate.*	640	mW
Operating temperature	Topr		-20 to +70	°C
Storage temperature	Tstg		-55 to +150	°C

* Mounted on a substrate : 76.1×114.3×1.6mm³, glass epoxy board.

Operating Conditions at Ta = 25°C

Parameter	Symbol	Conditions	Ratings	Unit
Recommended supply voltage	V _{CC}		5.0	V
Operating supply voltage	V _{CC op}		4.5 to 5.5	V

Electrical Characteristics at Ta = 25°C, V_{CC} = 5.0V, fp = 38.9MHz

Parameter	Symbol	Conditions	No.	Ratings			Unit
				min	typ	max	
VIF block							
Circuit current	I ₄		V1	75	85	95	mA
Max RF AGC voltage	V _{14H}		V2	4.0	4.5	5.0	V
Min RF AGC voltage	V _{14L}		V3	0.0	0.5	1.0	V
Input sensitivity	V _i	Video out 2	V4	26	32	38	dBμV
AGC range	GR		V5	58	63		dB
Max allowable input	V _i max		V6	95	100		dBμV
Quiescent video output voltage	V ₅		V7	2.2	2.5	2.8	V
Sync signal edge voltage	V ₅ tip		V8	0.8	1.0	1.2	V
Video output level	V _O		V9	1.0	1.2	1.4	Vp-p
Black noise threshold voltage	V _{BTH}		V10	0.5	0.8	1.1	V
Black noise clamp voltage	V _{BCL}		V11	1.2	1.5	1.8	V
Video S/N	S/N	B/G	V12	46	50		dB
C-S best	IC-S	P/S = 10dB	V13	38	43		dB
Differential gain	DG	V _{IN} = 80dBμ	V14		3	6.5	%
Differential phase	DP		V15		3	5	deg
Quiescent AFT voltage	V ₁₂	15pin to V _{CC}	V16	2.0	2.5	3.0	V
Max AFT voltage	V _{12H}	LOAD 22kΩ/22kΩ	V17	4	4.5	5	V
Min AFT voltage	V _{12L}	LOAD 22kΩ/22kΩ	V18	0	0.5	1	V
AFT sensitivity	SF	LOAD 22kΩ/22kΩ	V19	8.5	12.5	16.5	mV/kHz
APC pull-in range (U)	Fpu		V20	2.0	2.4		MHz
APC pull-in range (L)	Fpl		V21		-2.4	-2.0	MHz
VCO control sensitivity	β		V22	3	6	12	kHz/mV
VIF input resistance	R _i	38.9MHz	V23		1.0	1.5	kΩ
VIF input capacity	C _i	38.9MHz	V24		3	6	pF
N trap1 (4.5M)	NT1	wrt 1MHz	V25	-30	-35		dB
N trap2 (4.8M)	NT2	wrt 1MHz	V26	-19	-24		dB
BG trap1 (5.5M)	BT1	wrt 1MHz	V27	-27	-32		dB
BG trap2 (5.85M)	BT2	wrt 1MHz	V28	-20	-25		dB
I trap1 (6.0M)	IT1	wrt 1MHz	V29	-25	-30		dB
I trap2 (6.55M)	IT2	wrt 1MHz	V30	-15	-20		dB
DK trap1 (6.5M)	DT1	wrt 1MHz	V31	-25	-30		dB
Group delay 1 NTSC (3.0M)	NGD1	wrt 1MHz	V32	30	80	145	ns
Group delay 1-1 NTSC (3.5M)	NGD1-1	wrt 1MHz	V33	110	200	290	ns
Group delay 2 BG (4M)	BGD2	wrt 1MHz	V34	50	130	210	ns
Group delay 2-1 BG (4.4M)	BGD2-1	wrt 1MHz	V35	120	200	280	ns
Group delay 3 I (4M)	IGD3	wrt 1MHz	V36	0	80	130	ns

Continued on next page.

LA75520KVA

Continued from preceding page.

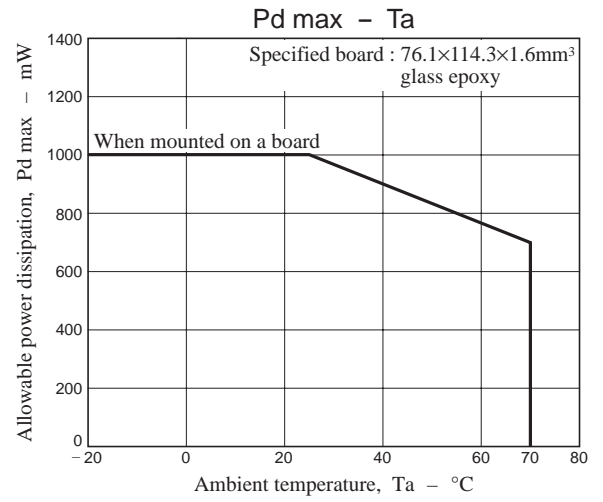
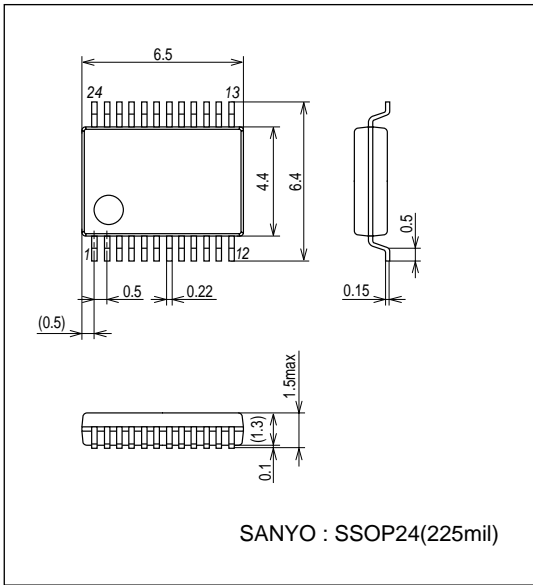
Parameter	Symbol	Conditions	No.	Ratings			Unit
				min	typ	max	
Group delay 3-1 I (4.4M)	IGD3-1	wrt 1MHz	V37	80	120	160	ns
Group delay 4 DK (4M)	DGD4	wrt 1MHz	V38	10	30	50	ns
Group delay 4-1 DK (4.4M)	DGD4-1	wrt 1MHz	V39	30	60	90	ns
Video f characteristics MN1	VFMN1	M/N 1 to 2MHz	V40	-1.0	0.0	1.0	dB
Video f characteristics MN2	VFMN2	M/N 2 to 3MHz	V41	-1.0	0.0	1.0	dB
Video f characteristics MN3	VFMN3	M/N 3.58MHz	V42	-3.0	-1.5	0.0	dB
Video f characteristics BG1	VFBG1	B/G 1 to 3MHz	V43	-1.0	0.0	1.5	dB
Video f characteristics BG2	VFBG2	B/G 3 to 4MHz	V44	-1.5	0.0	1.5	dB
Video f characteristics BG3	VFBG3	B/G 4.43MHz	V45	-2.5	-1.0	0.5	dB
Video f characteristics I1	VFI1	I 1 to 3MHz	V46	-1.0	0.0	1.0	dB
Video f characteristics I2	VFI2	I 3 to 4MHz	V47	-1.0	0.0	1.5	dB
Video f characteristics I3	VFI3	I 4.43MHz	V48	-1.5	0.0	1.5	dB
Video f characteristics DK1	VFDK1	D/K 1 to 3MHz	V49	-1.0	0.0	1.0	dB
Video f characteristics DK2	VFDK2	D/K 3 to 4MHz	V50	-1.0	0.0	1.5	dB
Video f characteristics DK3	VFDK3	D/K 4.43MHz	V51	-1.5	0.0	1.5	dB
Group delay 2-2 BG shift (4M)	BGD2-2	wrt 1MHz	V52	50	100	150	ns
Group delay 2-3 BG shift (4.4M)	BGD2-3	wrt 1MHz	V53	110	180	250	ns
1st SIF Block							
SIF carrier output level 1	So1	$V_i = 1\text{mV}$	F1	21	43	86	mVrms
SIF carrier output level 2	So2	$V_i = 10\text{mV}$	F2	21	43	86	mVrms
1st SIF max input	Si max		F3	110	120		dB μ V
1st SIF input resistance	Ris	33.4MHz	F4		2	2.4	k Ω
1st SIF input capacity	Cis	33.4MHz	F5		3	6	pF
SIF Block							
Limiting sensitivity (SPLIT)	V_i (lim) (SP)	$P = 80\text{dB}\mu\text{ CW}$	S1	20	25	30	dB μ V
Limiting sensitivity (INTER)	V_i (lim) (IN)	$P = 80\text{dB}\mu\text{ P/S}$	S2	29	35	41	dB
FM detection output voltage	V_O (FM)	$f = 5.5\text{MHz}, \Delta F = \pm 30\text{kHz}$	S3	390	560	730	mVrms
AM removal ratio	AMR		S4	50	60		dB
Distortion factor	THD		S5		0.3	0.8	%
FM detection output S/N	S/N (FM)	$P = 80\text{dB}\mu\text{ CW}$	S6	55	60		dB
PAL/NT audio voltage gain difference	GD		S7		6		dB
PAL De-emphasis	Pdeem		S8		-3		dB
NT De-emphasis	Ndeem		S9		-3		dB
Control Block							
SIF system SW threshold voltage A/B	V7_9th		C1	2.2	2.5	2.8	V
38MHz/38.9MHz threshold voltage	V10th1		C2	0.7	1.0	1.3	V
38.9MHz/39.5MHz threshold voltage	V10th2		C3	3.7	4.0	4.3	V
Inter-carrier system	V13th		C4			0.3	V
AFT mute level/SIF trap shift threshold voltage 1	V15th1		C5	0.7	1.0	1.3	V
AFT mute level/SIF trap shift threshold voltage 2	V15th2		C6	2.2	2.5	2.8	V
AFT mute level/SIF trap shift threshold voltage 3	V15th3		C7	3.7	4.0	4.3	V
Others							
Ref clock input level	Reflev	4.0MHz	O1	83	90	95	dB μ V
Reference frequency SW threshold resistance	R11		O2	150	270		k Ω

Continued on next page.

Package Dimensions

unit : mm (typ)

3287



System changeover

a. SIF system SW

The SIF system can be changed over by setting A (pin 7) and B (pin 9) to GND and OPEN respectively.

A	B	BG	I	DK	MN	FM DET LEVEL	De-emphasis
GND	GND				O	6dB	75μs
GND	OPEN			O		0dB	50μs
OPEN	GND		O			0dB	50μs
OPEN	OPEN	O				0dB	50μs

Note : Circles mean that the system indicated with a circle is selected

b. IF system SW

The IF frequency becomes 38.9MHz when pin 10 is open.

The IF frequency becomes 38.0MHz when pin 10 is set to GND.

The IF frequency becomes 39.5MHz when pin 10 is set to V_{CC}.

c. Split/inter carrier SW

Inter-carrier is selected by setting the 1st SIF input (pin 13) to GND.

d. Reference frequency changeover SW

The reference frequency becomes 4.43MHz when pin 11 is OPEN.

The reference frequency becomes 4.0MHz when 270kΩ is connected between pin 11 and GND.

e. AFT mute level, trap point shift SW

By changing the pin 15 voltage, the potential and TRAP point at which AFT is muted can be set to either just or shift (about +220kHz).

Pin 15 potential	AFT mute potential	TRAP point shift
V _{CC} to 4V	MIDDLE (V _{CC} /2)	Just
4V to 2.5V	MIDDLE (V _{CC} /2)	Shift
2.5V to 1V	HI (V _{CC})	Just
1V to GND	HI (V _{CC})	Shift

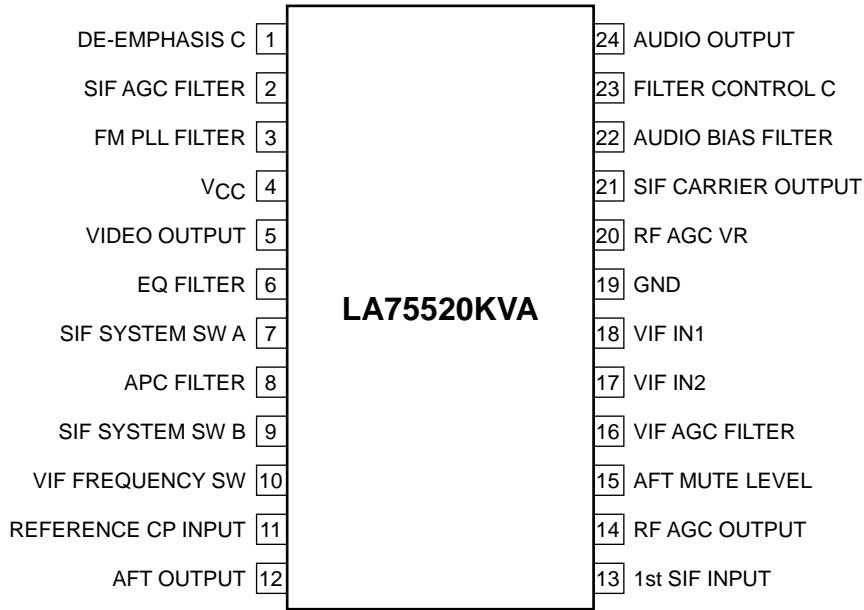
* V_{CC}=5V

f. FM detector function not used

To stop FM detection VCO without using the SIF circuit, short-circuit pin 1 – GND with resistance of 1kΩ or less.

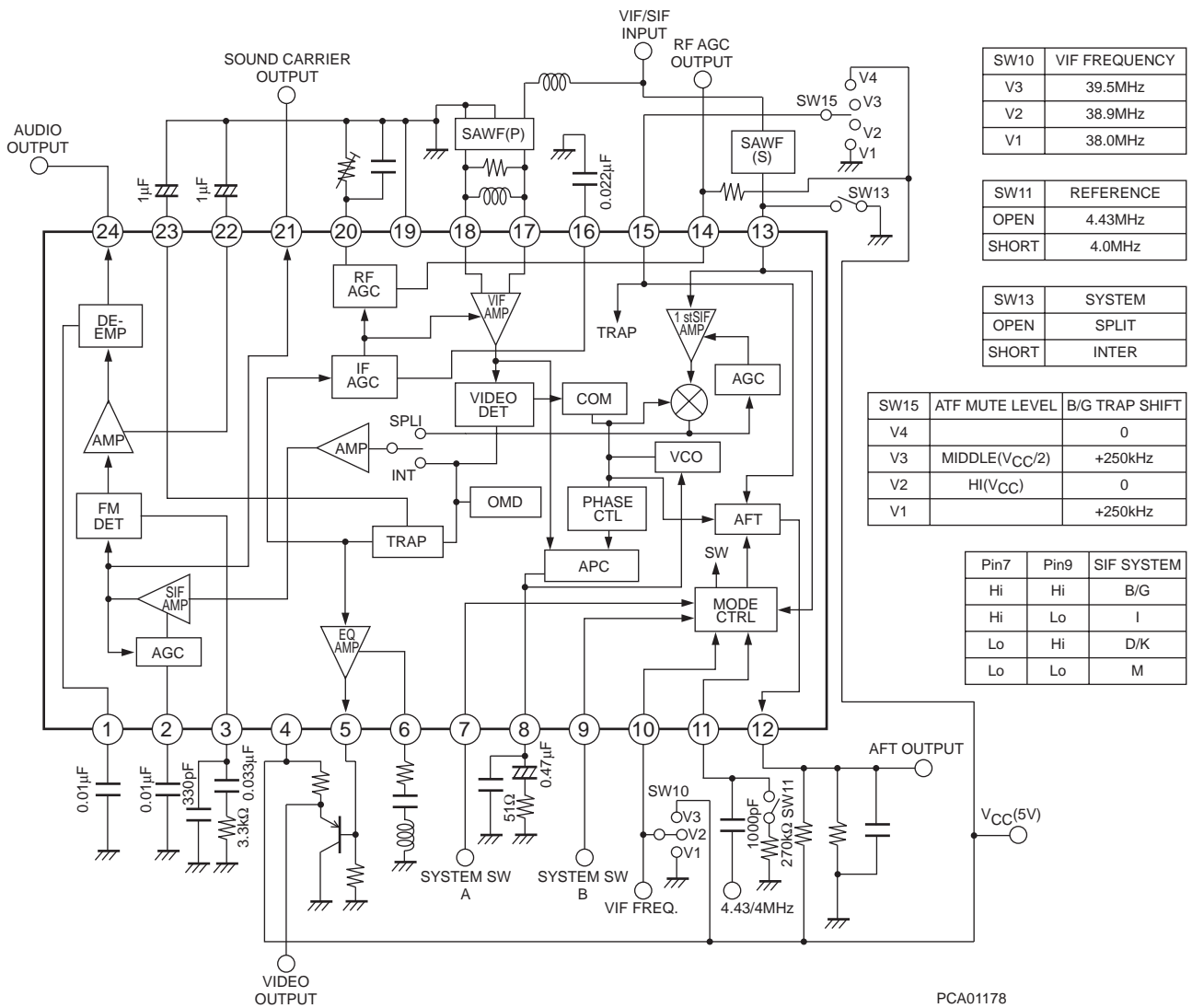
LA75520KVA

Pin Assignment



Top View

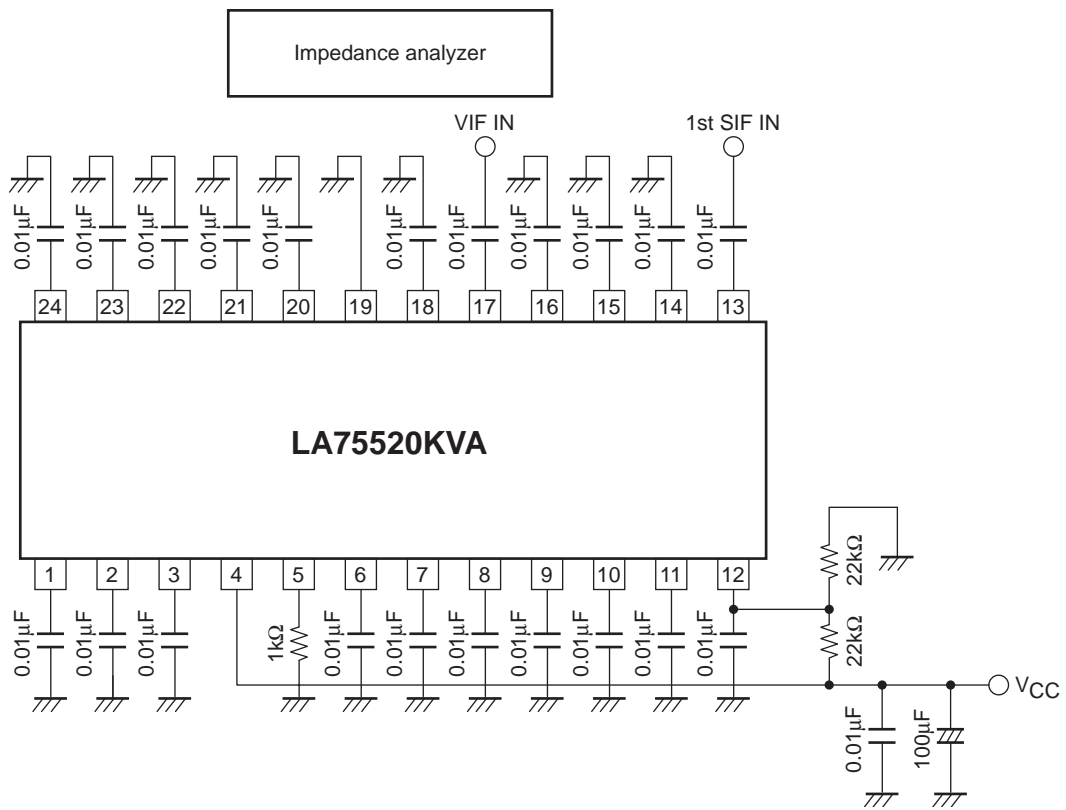
Block Diagram and Sample Application



PCA01178

LA75520KVA

Input Impedance Test Circuit (VIF and first SIF input impedance)



LA75520KVA

Pin Functions

Pin No.	Pin name	Function	Equivalent Circuit
1	DE-EMPHASIS C	<p>De-emphasis capacitor connection pin</p> <p>This is used to switch the equivalent resistance (5kΩ or 7.5kΩ) internally in the IC to select the time constant.</p> <p>This switching is linked to the SIF input switch.</p> <p>To disable de-emphasis, disconnect the capacitor.</p> <p>Connection of an external capacitance of 0.01μF enables switching between 50 and 75μs.</p> <p>When the FM detector circuit is not to be used, the FM VCO can be stopped by connecting it to ground with a resistor of 1kΩ or less.</p>	
2	SIF AGC FILTER	<p>AGC filter pin for SIF carrier</p> <p>0.01μF is recommended for C1.</p>	
3	FM PLL FILTER	<p>PLL filter pin of FM detector</p> <p>This is used to configure an external lag lead filter.</p> <p>Example: Connect 330pF in parallel with the filter on the left (0.033μF + 3.3kΩ).</p>	
4	VCC	Power supply	
5	EQ OUT	<p>Equalizer circuit. This circuit is used to correct the video signal frequency characteristics.</p> <p>Notes on equalizer amplifier design</p> <ul style="list-style-type: none"> The equalizer amplifier is designed as a voltage follower amplifier with a gain of about 0 dB. When used for frequency characteristics correction, a capacitor, inductor, and resistor must be connected in series between pin 6 and ground. <p>Equalizer amplifier gain $AV = \frac{R1}{Z} + 1$</p> <p>R1 is the IC internal resistance, and is 1kΩ. In the application design, simply select Z to correspond to the desired characteristics. However, since the EQ amplifier gain will be maximum at the resonant point defined by Z, care is required to assure that distortion does not occur.</p>	
6	EQ FILTER		

Continued on next page.

LA75520KVA

Continued from preceding page.

Pin No.	Pin name	Function	Equivalent Circuit															
7 9	SIF SYSTEM SW A	<p>SIF system selection switch pins. Combining the settings of these two pins supports four systems. In M/N mode, the audio output level is increased by 6dB.</p> <p>The internal trap is also linked to these switches. The truth-values are as follows.</p> <table border="1" style="margin-left: auto; margin-right: auto; border-collapse: collapse;"> <thead> <tr> <th>Pin7</th> <th>Pin9</th> <th>MODE</th> </tr> </thead> <tbody> <tr> <td style="text-align: center;">H</td> <td style="text-align: center;">H</td> <td style="text-align: center;">B/G</td> </tr> <tr> <td style="text-align: center;">H</td> <td style="text-align: center;">L</td> <td style="text-align: center;">I</td> </tr> <tr> <td style="text-align: center;">L</td> <td style="text-align: center;">H</td> <td style="text-align: center;">D/K</td> </tr> <tr> <td style="text-align: center;">L</td> <td style="text-align: center;">L</td> <td style="text-align: center;">M/N</td> </tr> </tbody> </table>	Pin7	Pin9	MODE	H	H	B/G	H	L	I	L	H	D/K	L	L	M/N	
Pin7	Pin9	MODE																
H	H	B/G																
H	L	I																
L	H	D/K																
L	L	M/N																
8	APC FILTER	<p>PLL APC filter connection pin. The APC count is switched internally in the IC.</p> <p>The VCO is normally controlled by route A. When unlocked and during weak field reception, the VCO is controlled by route B and the loop gain is increased.</p> <p>For this APC filter we recommend a resistor of 51Ω and capacitor of 0.47μF.</p> <p>The buzz characteristics can be improved by connecting a capacitor of 100pF or so between pins 5 and 8.</p>																
10	VIF FREQUENCY SW	<p>Switch pin for selecting the IF frequency</p> <p>When this pin is open, $1/2V_{CC}$ exists.</p> <p>V_{CC} : 39.5MHz Open : 38.9MHz GND : 38.0MHz</p>																
11	REFERENCE CP INPUT	<p>Reference signal input pin necessary for adjusting the internal sound carrier trap, AFT, etc.</p> <p>Either 4.0 or 4.43 MHz can be selected. Use the configuration shown in example 1 when using 4.43MHz and configuration shown in example 2 when using 4.0MHz.</p> <p>Since no oscillator can be configured simply by connecting the X'tal resonator to pin 11, input the reference signal from an external source without fail.</p> <div style="display: flex; justify-content: space-around; margin-top: 10px;"> <div style="text-align: center;"> <p>Example 1</p> </div> <div style="text-align: center;"> <p>Example 2</p> </div> </div>																

Continued on next page.

LA75520KVA

Continued from preceding page.

Pin No.	Pin name	Function	Equivalent Circuit															
12	AFT OUTPUT	<p>AFT output pin. The AFT center voltage is generated by an external bleeder resistor. The AFT gain is increased by increasing the resistance of this external bleeder resistor.</p> <p>For the resistor we recommend a resistance equal to or greater than 22kΩ.</p> <p>For the filter C1 we recommend a capacitance of 0.1μF.</p>																
13	1st SIF INPUT	<p>First SIF input pin. A DC cut capacitor must be used in the input circuit.</p> <p>(a) If a SAW filter is used : The first SIF sensitivity can be increased by inserting an inductor between the SAW filter and the IC to neutralize the SAW filter output capacitance and the IC input capacitance.</p> <p>(b) When used in an intercarrier system : Connect this pin to ground.</p>																
14	RF AGC OUTPUT	<p>RF AGC output pin. This output controls the tuner RF AGC.</p> <p>This is the open collector output and a protective 200Ω resistor is inserted. Determine the external bleeder resistor value in accordance with the specifications of the tuner.</p>																
15	AFT MUTE LEVEL	<p>A switch pin for selecting the mute potential when muting is applied to the AFT due to PLL unlock, etc. At the same time, it is used to control the trap point shift of the audio trap (in the B/G mode). When the frequency characteristics of the video band are to be made as flat as possible with the split input, the trap can be shifted to the high range although the attenuation of the sound carrier will drop. Therefore, when used in combination with the SAW filter, verify that the level is high enough before use.</p> <table border="1" style="margin-left: auto; margin-right: auto; border-collapse: collapse; text-align: center;"> <thead> <tr> <th style="padding: 2px;">Voltage</th> <th style="padding: 2px;">ATF MUTE Voltage</th> <th style="padding: 2px;">TRAP SHIFT</th> </tr> </thead> <tbody> <tr> <td style="padding: 2px;">V_{CC} to 4V</td> <td style="padding: 2px;">$V_{CC}/2$</td> <td style="padding: 2px;">0</td> </tr> <tr> <td style="padding: 2px;">4V to 2.5V</td> <td style="padding: 2px;">$V_{CC}/2$</td> <td style="padding: 2px;">+250kHz</td> </tr> <tr> <td style="padding: 2px;">2.5V to 1V</td> <td style="padding: 2px;">V_{CC}</td> <td style="padding: 2px;">0</td> </tr> <tr> <td style="padding: 2px;">1V to GND</td> <td style="padding: 2px;">V_{CC}</td> <td style="padding: 2px;">+250kHz</td> </tr> </tbody> </table> <p>* When $V_{CC} = 5\text{ V}$</p>	Voltage	ATF MUTE Voltage	TRAP SHIFT	V_{CC} to 4V	$V_{CC}/2$	0	4V to 2.5V	$V_{CC}/2$	+250kHz	2.5V to 1V	V_{CC}	0	1V to GND	V_{CC}	+250kHz	
Voltage	ATF MUTE Voltage	TRAP SHIFT																
V_{CC} to 4V	$V_{CC}/2$	0																
4V to 2.5V	$V_{CC}/2$	+250kHz																
2.5V to 1V	V_{CC}	0																
1V to GND	V_{CC}	+250kHz																

Continued on next page.

LA75520KVA

Continued from preceding page.

Pin No.	Pin name	Function	Equivalent Circuit
16	IF AGC	<p>IF AGC filter connection pin.</p> <p>The signal peak-detected by the built-in AGC detector is converted to the AGC voltage at pin 16. Additionally, a second AGC filter (a lag-lead filter) used to create the dual time constants is provided internally in the IC.</p> <p>Use a 0.022μF capacitor as the external capacitor (C1), and adjust the value according to the sag, AGC speed, and other characteristics.</p>	
17 18	VIF IN2 VIF IN1	<p>VIF amplifier input pin</p> <p>The input circuit is a balanced circuit, and the input impedance is as follows: $R \approx 1.0k\Omega$</p>	
19	GND		
20	RF AGC VR	<p>RF AGC volume connection pin</p> <p>This pin sets the tuner RF AGC operating point. Also, the FM output and the video output can both be muted at the same time by connecting this pin to ground.</p>	
21	SIF CARRIER OUT	<p>First SIF output pin</p> <p>This is an emitter-follower output with a 200Ω resistor attached in series.</p>	
22	AUDIO BIAS FILTER	<p>Connection pin for a filter used to hold the FM detector output DC voltage fixed. Normally, a 1μF electrolytic capacitor should be used. The capacitance (C1) should be increased if the low band (around 50Hz) frequency characteristics need to be improved.</p>	

Continued on next page.

LA75520KVA

Continued from preceding page.

Pin No.	Pin name	Function	Equivalent Circuit
23	FILTER CONTROL C	Internal filter (trap) control pin Connect a capacitor with a capacitance between 0.47 to 1 μ F, depending on the video S/N as well as the levels of the AM and PM noise.	
24	AUDIO OUTPUT	Sound output pin Emitter follower output	

- SANYO Semiconductor Co.,Ltd. assumes no responsibility for equipment failures that result from using products at values that exceed, even momentarily, rated values (such as maximum ratings, operating condition ranges, or other parameters) listed in products specifications of any and all SANYO Semiconductor Co.,Ltd. products described or contained herein.
- SANYO Semiconductor Co.,Ltd. strives to supply high-quality high-reliability products, however, any and all semiconductor products fail or malfunction with some probability. It is possible that these probabilistic failures or malfunction could give rise to accidents or events that could endanger human lives, trouble that could give rise to smoke or fire, or accidents that could cause damage to other property. When designing equipment, adopt safety measures so that these kinds of accidents or events cannot occur. Such measures include but are not limited to protective circuits and error prevention circuits for safe design, redundant design, and structural design.
- In the event that any or all SANYO Semiconductor Co.,Ltd. products described or contained herein are controlled under any of applicable local export control laws and regulations, such products may require the export license from the authorities concerned in accordance with the above law.
- No part of this publication may be reproduced or transmitted in any form or by any means, electronic or mechanical, including photocopying and recording, or any information storage or retrieval system, or otherwise, without the prior written consent of SANYO Semiconductor Co.,Ltd.
- Any and all information described or contained herein are subject to change without notice due to product/technology improvement, etc. When designing equipment, refer to the "Delivery Specification" for the SANYO Semiconductor Co.,Ltd. product that you intend to use.
- Information (including circuit diagrams and circuit parameters) herein is for example only; it is not guaranteed for volume production.
- Upon using the technical information or products described herein, neither warranty nor license shall be granted with regard to intellectual property rights or any other rights of SANYO Semiconductor Co.,Ltd. or any third party. SANYO Semiconductor Co.,Ltd. shall not be liable for any claim or suits with regard to a third party's intellectual property rights which has resulted from the use of the technical information and products mentioned above.

This catalog provides information as of August, 2007. Specifications and information herein are subject to change without notice.