

## FEATURES

- 2 Year Warranty
- 100% Full Load Burn-In Test
- Universal AC Input/ Full Range
- Cooling by Free Air Convection
- Low Leakage Current < 0.75mA
- Fixed Switching Frequency at 65KHz
- Short Circuit, Overload, and Over Voltage Protected



### SPECIFICATIONS: PSPD45 Series

All specifications are based on 25°C, Nominal Input Voltage, and Maximum Output Current unless otherwise noted.  
We reserve the right to change specifications based on technological advances.

#### INPUT SPECIFICATIONS

Input Voltage	90 – 264VAC (127 – 370VDC)
Input Frequency	47 ~ 440Hz
AC Current (typical)	1A @ 115VAC    0.7A @ 230VAC
Inrush Current (typical)	15A @ 115VAC    30A @ 230VAC cold start.
Leakage Current	< 0.75mA

#### OUTPUT SPECIFICATIONS

Output Voltage	See Table
Output Voltage Tolerance (See Note 3)	CH 1: ±4.0%    CH 2: ±7.0%
Voltage Adjustment Range	CH 1: 4.75 ~ 5.5V
Output Power	Rated output power for convection; 52W with 18CFM min. forced air.
Line Regulation	CH 1: ±1.0%    CH 2: ±2.0%
Load Regulation	CH 1: ±3.0%    CH 2: ±4.0%
Output Current	See Table
Ripple & Noise (See Note 2)	See Table
Setup, Rise Time	800ms, 20ms at full load
Hold Up Time	60ms at full load
Temperature Coefficient	±0.04%/°C (0~50°C) on +5V output.

#### PROTECTION

Over Voltage Protection	5.75 ~ 6.75VDC on CH 1 Protection Type: Hiccup mode, recovers automatically after fault condition is removed.
Overload Protection	53 ~ 75W rated output power Protection Type: Hiccup mode, recovers automatically after fault condition is removed.

#### GENERAL SPECIFICATIONS

Switching Frequency (fixed)	65KHz
Efficiency (typical)	See Table
Withstand Voltage	3KVAC (input to output), 1.5KVAC (input to FG), 0.5KVAC (output to FG).
Isolation Resistance	100MΩ / 500VDC (input to output, input to FG, output to FG)

#### ENVIRONMENTAL SPECIFICATIONS

Working Temperature	-10°C to +60°C (refer to output load derating curve)
Storage Temperature	-20°C to +85°C
Working Humidity (non-condensing)	20% ~ 90% RH non-condensing
Storage Humidity (non-condensing)	10% ~ 95% RH
Vibration	10~500Hz, 2G 10min./1cycle, Period for 60 minutes each along X, Y, and Z axes.
MTBF	288,100 hours min.    MIL-HDBK-217 (25°C)

#### PHYSICAL SPECIFICATIONS

Weight	10 oz.
Dimensions	127(L) x 76(W) x 28(H) mm
Warranty	2 years

#### SAFETY & EMC

Safety Standards	UL60950-1, TUV EN60950-1 Approved
EMI Conduction and Radiation	Compliance to EN55022 (CISPR22) Class B
Harmonic Current	Compliance to EN61000-3-2,3
EMS Immunity	Compliance to EN61000-4-2,3,4,5,6,8,11; ENV50204, EN55024, Light industry level, criteria A.

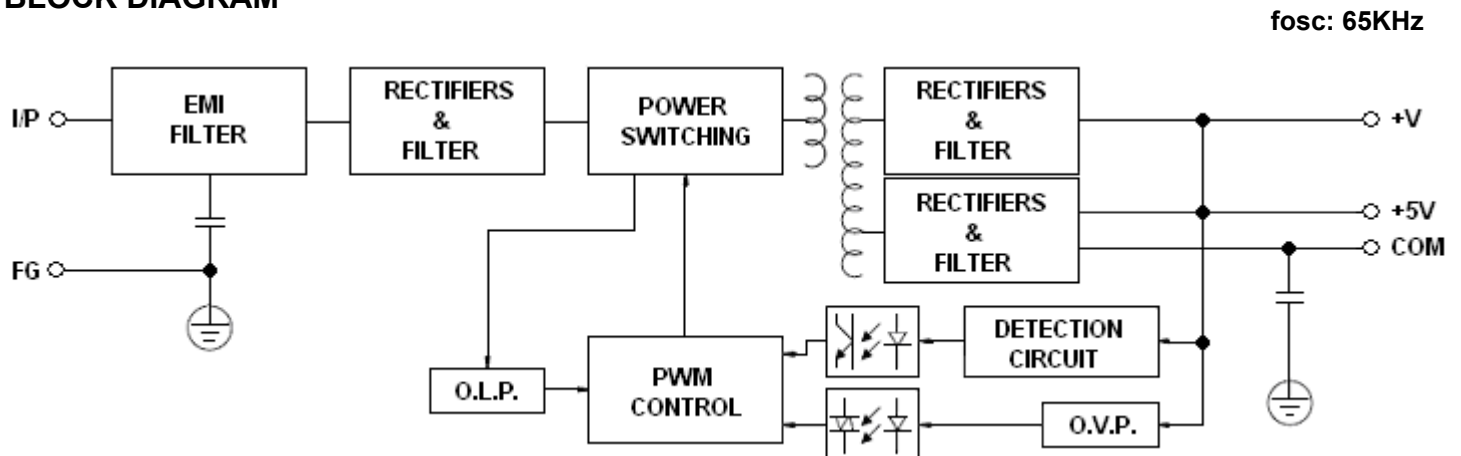
**OUTPUT VOLTAGE / CURRENT RATING CHART**

Model		Input Voltage	Output Voltage	Rated Current	Current Range	Ripple & Noise	Output Power	Efficiency
PSPD-45A	Channel 1	90 ~ 264 VAC (127 ~ 370 VDC)	5 VDC	3.2A	0.4 ~ 5A	50mVp-p	40W	77%
	Channel 2		12 VDC	2A	0.2 ~ 2.5A	120mVp-p		
PSPD-45B	Channel 1		5 VDC	3.2A	0.4 ~ 5A	50mVp-p	44.8W	78%
	Channel 2		24 VDC	1.2A	0.2 ~ 1.8A	150mVp-p		

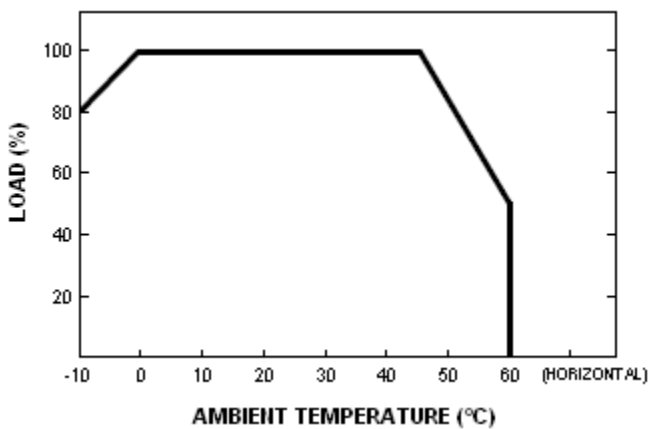
**NOTES**

1. All parameters not specially mentioned are measured at 230VAC input, rated load, and 25°C ambient temperature.
2. Ripple & noise are measured at 20MHz using a 12" twisted pair-wire terminated with 0.1uF & 47uF capacitors in parallel.
3. Tolerance: includes set up tolerance, line regulation, and load regulation.
4. The power supply is considered a component, which will be installed into final equipment. The final equipment must be re-confirmed that it still meets EMC directives.
5. Mounting holes M1 and M2 should be grounded for EMI purposes.

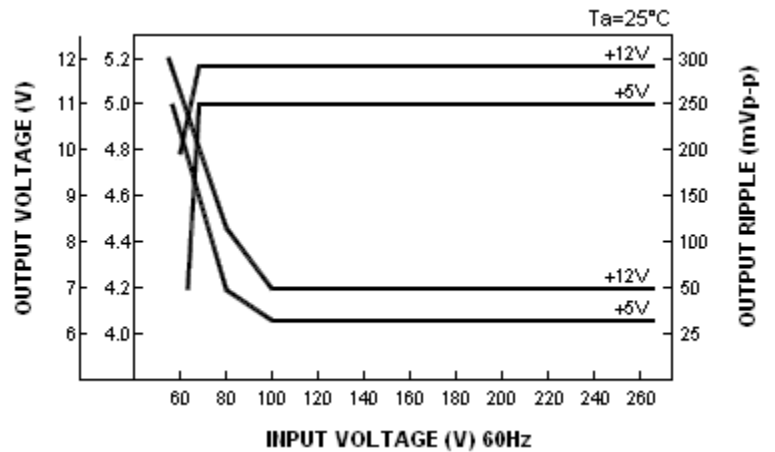
**BLOCK DIAGRAM**



**DERATING CURVE**

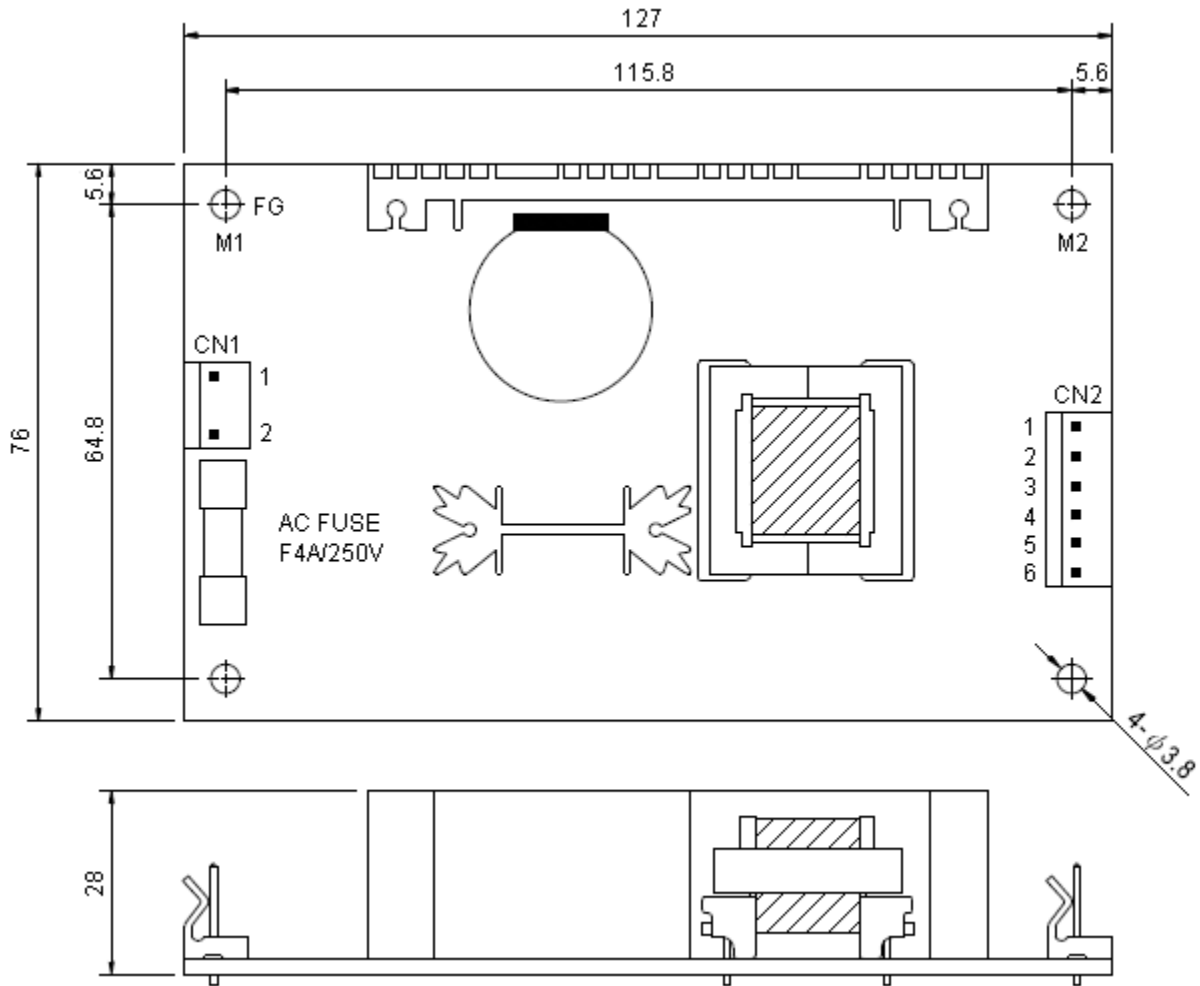


**STATIC CHARACTERISTICS (A)**



**MECHANICAL DRAWING**

Unit: mm



AC INPUT CONNECTOR (CN1)	
Pin. No	Assignment
1	AC/N
2	AC/L

DC OUTPUT CONNECTOR (CN2)	
Pin No.	Assignment
1	+V
2,3	+5V
4,5	COM
6	NC