

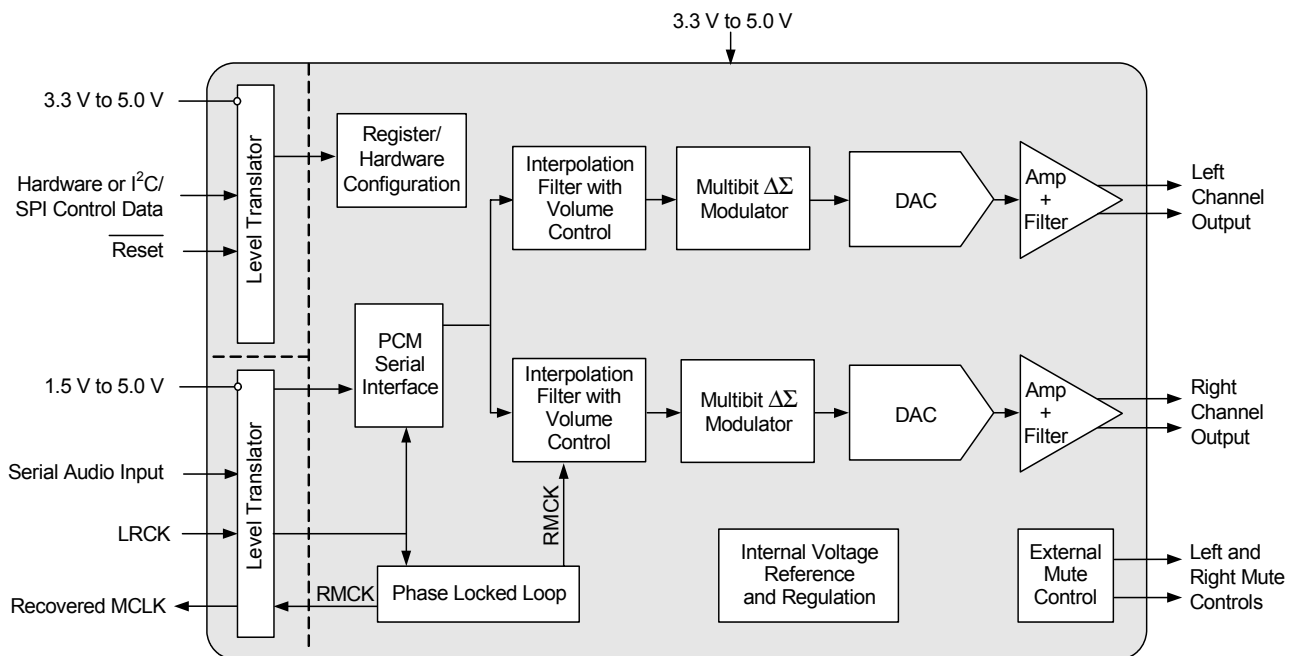
## 192 kHz Stereo DAC with Integrated PLL

### Features

- ◆ Advanced Multi-bit Delta-Sigma Architecture
- ◆ 109 dB Dynamic Range
- ◆ -91 dB THD+N
- ◆ 24-Bit Conversion
- ◆ Supports Audio Sample Rates Up to 192 kHz
- ◆ Low-Latency Digital Filtering
- ◆ Single-Ended or Differential Analog Output Architecture
- ◆ Integrated PLL Locks to Incoming Left-Right Clock
  - Eliminates the Need for External Master-clock Routing
  - Reduces Interference and Jitter Sensitivity
  - No External Loop Filter Components Required
- ◆ Automatic Sample-Rate Range Detection
- ◆ Popguard® Technology for Control of Clicks and Pops
  - Hardware Popguard Disable for Fast Startups
- ◆ Supports All Standard Serial Audio Formats Including Time-Division Multiplexed (TDM)
- ◆ +1.5 V to 5.0 V Logic Supplies for Serial Port
- ◆ +3.3 V to 5.0 V Control Port Interface

### Control Port Mode Features

- ◆ SPI™ and I²C® Modes
- ◆ ATAPI Mixing
- ◆ Mute Control for Individual Channels
- ◆ Digital Volume Control with Soft Ramp
  - 127.5 dB Attenuation
  - 1/2 dB Step Size
  - Zero Crossing Click-Free Transitions



## Description

The CS4350 is a complete stereo digital-to-analog system including PLL-based master clock derivation, digital interpolation, 5th-order multi-bit delta-sigma digital-to-analog conversion, digital de-emphasis, volume control, channel mixing, and analog filtering. The advantages of this architecture include ideal differential linearity, no distortion mechanisms due to resistor matching errors, no linearity drift over time and temperature, high tolerance to clock jitter, and a minimal set of external components.

The CS4350 supports all standard digital audio interface formats, including TDM.

The CS4350 is available in a 24-pin TSSOP package in both Commercial (-40° to +85°C) and Automotive grades (-40° to +105°C). The CDB4350 Customer Demonstration board is also available for device evaluation and implementation suggestions. Please refer to ["Ordering Information" on page 40](#) for complete ordering information.

These features are ideal for cost-sensitive, two-channel audio systems, including DVD players and recorders, set-top boxes, digital TVs, mini-component systems, mixing consoles and automotive audio systems.

---

**TABLE OF CONTENTS**

|   |           |
|---|-----------|
| <b>1. PIN DESCRIPTION.....</b>  | <b>6</b>  |
| <b>2. CHARACTERISTICS AND SPECIFICATIONS.....</b>                       | <b>8</b>  |
| RECOMMENDED OPERATING CONDITIONS .....                                  | 8         |
| ABSOLUTE MAXIMUM RATINGS.....   | 8         |
| DAC ANALOG CHARACTERISTICS - COMMERCIAL (-CZZ) .....                    | 9         |
| DAC ANALOG CHARACTERISTICS - AUTOMOTIVE (-DZZ).....                     | 10        |
| COMBINED INTERPOLATION & ON-CHIP ANALOG FILTER RESPONSE.....            | 12        |
| SWITCHING SPECIFICATIONS - SERIAL AUDIO INTERFACE.....                  | 13        |
| SWITCHING CHARACTERISTICS - CONTROL PORT - I <sup>2</sup> C FORMAT..... | 14        |
| SWITCHING CHARACTERISTICS - CONTROL PORT - SPI FORMAT.....              | 15        |
| DIGITAL CHARACTERISTICS .....   | 16        |
| POWER AND THERMAL CHARACTERISTICS.....                                  | 16        |
| <b>3. TYPICAL CONNECTION DIAGRAM .....</b>                              | <b>17</b> |
| <b>4. APPLICATIONS .....</b>  | <b>18</b> |
| 4.1 Sample Rate Range and Oversampling Mode Detect.....                 | 18        |
| 4.1.1 Sample Rate Auto-Detect .....                                     | 18        |
| 4.2 System Clocking.....  | 18        |
| 4.2.1 Recovered Master Clock (RMCK).....                                | 18        |
| 4.3 Digital Interface Format .....                                      | 19        |
| 4.3.1 Time-Division Multiplex (TDM) Mode .....                          | 20        |
| 4.4 De-Emphasis .....   | 21        |
| 4.5 Mute Control.....   | 21        |
| 4.6 Recommended Power-Up Sequence .....                                 | 21        |
| 4.6.1 Stand-Alone Mode .....  | 21        |
| 4.6.2 Control Port Mode .....   | 22        |
| 4.7 Popguard Transient Control .....                                    | 22        |
| 4.7.1 Power-Up .....  | 22        |
| 4.7.2 Power-Down.....   | 22        |
| 4.7.3 Discharge Time .....  | 22        |
| 4.8 Analog Output and Filtering.....                                    | 23        |
| 4.9 Grounding and Power Supply Arrangements .....                       | 23        |
| 4.9.1 Capacitor Placement.....  | 23        |
| <b>5. STAND-ALONE OPERATION.....</b>                                    | <b>24</b> |
| 5.1 Serial Port Format Selection.....                                   | 24        |
| 5.2 De-Emphasis Control .....   | 24        |
| 5.3 Popguard Transient Control .....                                    | 24        |
| <b>6. CONTROL PORT OPERATION .....</b>                                  | <b>25</b> |
| 6.1 MAP Auto Increment .....  | 25        |
| 6.2 I <sup>2</sup> C Mode .....   | 25        |
| 6.2.1 I <sup>2</sup> C Write.....                                       | 25        |
| 6.2.2 I <sup>2</sup> C Read.....  | 25        |
| 6.3 SPI Mode.....   | 26        |
| 6.3.1 SPI Write .....   | 26        |
| 6.3.2 SPI Read.....   | 27        |
| 6.4 Memory Address Pointer (MAP) .....                                  | 27        |
| 6.4.1 INCR (Auto Map Increment Enable) .....                            | 27        |
| 6.4.2 MAP (Memory Address Pointer) .....                                | 27        |
| <b>7. REGISTER QUICK REFERENCE .....</b>                                | <b>28</b> |
| <b>8. REGISTER DESCRIPTION .....</b>                                    | <b>29</b> |
| 8.1 Device and Revision ID - Register 01h.....                          | 29        |
| 8.2 Mode Control - Register 02h .....                                   | 29        |
| 8.2.1 Digital Interface Format (DIF[2:0]) Bits 6-4 .....                | 29        |

|   |           |
|---|-----------|
| 8.2.2 De-Emphasis Control (DEM[1:0]) Bits 3-2 .....                       | 30        |
| 8.2.3 Functional Mode (FM[1:0]) Bits 1-0 .....                            | 30        |
| 8.3 Volume Mixing and Inversion Control - Register 03h .....              | 30        |
| 8.3.1 Channel A Volume = Channel B Volume (VOLB=A) Bit 7 .....            | 30        |
| 8.3.2 Invert Signal Polarity (INVERT_A) Bit 6 .....                       | 30        |
| 8.3.3 Invert Signal Polarity (INVERT_B) Bit 5 .....                       | 31        |
| 8.3.4 ATAPI Channel Mixing and Muting (ATAPI[3:0]) Bits 3-0 .....         | 31        |
| 8.4 Mute Control - Register 04h .....                                     | 32        |
| 8.4.1 Auto-Mute (AMUTE) Bit 7 .....                                       | 32        |
| 8.4.2 AMUTE = BMUTE (MUTE A=B) Bit 5 .....                                | 32        |
| 8.4.3 Channel A Mute (MUTE_A) Bit 4 & Channel B Mute (MUTE_B) Bit 3 ..... | 32        |
| 8.5 Channel A & B Volume Control - Register 05h & 06h .....               | 33        |
| 8.6 Ramp and Filter Control - Register 07h .....                          | 33        |
| 8.6.1 Soft Ramp and Zero Cross Control (SZC[1:0]) Bits 7-6 .....          | 33        |
| 8.6.2 Soft Volume Ramp-Up after Error (RMP_UP) Bit 5 .....                | 34        |
| 8.6.3 Soft Ramp-Down before Filter Mode Change (RMP_DN) Bit 4 .....       | 34        |
| 8.6.4 Interpolation Filter Select (FILT_SEL) Bit 2 .....                  | 34        |
| 8.7 Misc. Control - Register 08h .....                                    | 34        |
| 8.7.1 Power Down (PDN) Bit 7 .....  | 34        |
| 8.7.2 Freeze Controls (FREEZE) Bit 5 .....                                | 35        |
| 8.7.3 Popguard Enable (POPG_EN) Bit 4 .....                               | 35        |
| 8.7.4 RMCK control (RMCK_CTRL[1:0]) Bits 3:2 .....                        | 35        |
| 8.7.5 RMCK Ratio Select (R_SELECT[1:0]) Bits 2:1 .....                    | 35        |
| <b>9. FILTER PLOTS .....</b>  | <b>36</b> |
| <b>10. PARAMETER DEFINITIONS .....</b>                                    | <b>38</b> |
| <b>11. PACKAGE DIMENSIONS .....</b>                                       | <b>39</b> |
| THERMAL CHARACTERISTICS .....   | 39        |
| <b>12. ORDERING INFORMATION .....</b>                                     | <b>40</b> |
| <b>13. REVISION HISTORY .....</b>   | <b>40</b> |

---

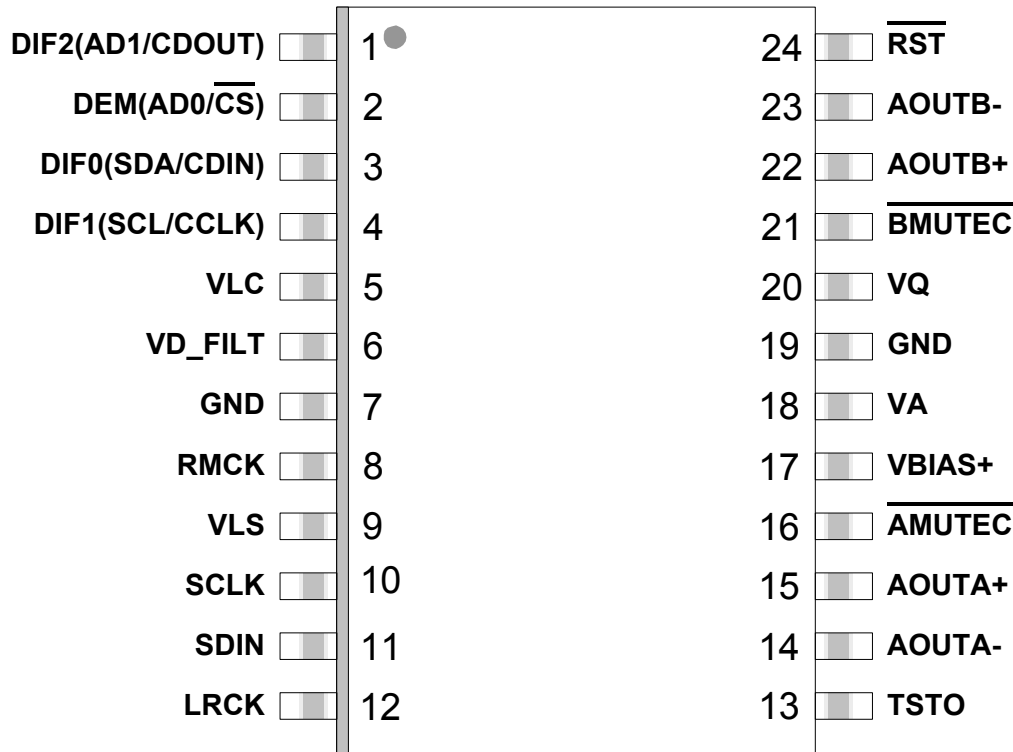
**LIST OF FIGURES**

|  |    |
|--|----|
| Figure 1. Equivalent Output Load .....                       | 11 |
| Figure 2. Maximum Loading.....                               | 11 |
| Figure 3. THD+N vs Output Amplitude for VA = 5.0 V .....     | 11 |
| Figure 4. THD+N vs Output Amplitude for VA = 3.3 V .....     | 11 |
| Figure 5. THD+N vs Output Amplitude for VA = 3.14 V .....    | 11 |
| Figure 6. Serial Port Timing, Non-TDM Mode.....              | 14 |
| Figure 7. Serial Port Timing, TDM Mode.....                  | 14 |
| Figure 8. Control Port Timing - I <sup>2</sup> C Format..... | 14 |
| Figure 9. Control Port Timing - SPI Mode .....               | 15 |
| Figure 10. Typical Connection Diagram.....                   | 17 |
| Figure 11. Left-Justified up to 24-Bit Data.....             | 19 |
| Figure 12. I <sup>2</sup> S, up to 24-Bit Data .....         | 19 |
| Figure 13. Right-Justified Data.....                         | 19 |
| Figure 14. TDM Mode Connection Diagram .....                 | 20 |
| Figure 15. TDM Mode Timing .....                             | 20 |
| Figure 16. De-Emphasis Curve.....                            | 21 |
| Figure 17. Differential to Single-Ended Output Filter .....  | 23 |
| Figure 18. Passive Single-Ended Output Filter .....          | 23 |
| Figure 19. Control Port Timing, I <sup>2</sup> C Mode .....  | 26 |
| Figure 20. Control Port Timing, SPI Mode .....               | 27 |
| Figure 21. De-Emphasis Curve.....                            | 30 |
| Figure 22. ATAPI Block Diagram .....                         | 31 |
| Figure 23. Stopband Rejection (fast), all Modes .....        | 36 |
| Figure 24. Stopband Rejection (slow), all Modes.....         | 36 |
| Figure 25. Single-Speed (fast) Passband Detail.....          | 36 |
| Figure 26. Single-Speed (slow) Passband Detail.....          | 36 |
| Figure 27. Double-Speed (fast) Passband Detail.....          | 36 |
| Figure 28. Double-Speed (slow) Passband Detail .....         | 36 |
| Figure 29. Quad-Speed (fast) Passband Detail .....           | 37 |
| Figure 30. Quad-Speed (slow) Passband Detail.....            | 37 |

**LIST OF TABLES**

|   |    |
|---|----|
| Table 1. CS4350 Auto-Detect .....                         | 18 |
| Table 2. Digital Interface Format - Stand-Alone Mode..... | 24 |
| Table 3. Digital Interface Formats .....                  | 29 |
| Table 4. ATAPI Decode .....                               | 31 |
| Table 5. Example Digital Volume Settings .....            | 33 |

## 1. PIN DESCRIPTION



| Pin Name   | #                 | Pin Description  |
|--|-------------------|--|
| VLC  | 5                 | <b>Control Interface Power (Input)</b> - Positive power for the hardware/software control interface  |
| VD_FILT  | 6                 | <b>Regulator Voltage (Output)</b> - Filter connection for internal voltage regulator   |
| GND  | 7, 19             | <b>Ground (Input)</b> - Ground reference   |
| RMCK   | 8                 | <b>Recovered Master Clock (Output)</b> - Outputs a master clock derived from LRCK  |
| VLS  | 9                 | <b>Serial Audio Interface Power (Input)</b> - Positive power for the serial audio interface  |
| SCLK   | 10                | <b>Serial Clock (Input)</b> - Serial bit-clock for the serial audio interface  |
| SDIN   | 11                | <b>Serial Audio Data Input (Input)</b> - Input for two's complement serial audio data  |
| LRCK   | 12                | <b>Left/Right Clock (Input)</b> - Determines which channel, Left or Right, is currently active on the serial audio data line   |
| TSTO   | 13                | <b>Test Output</b> - These pins need to be floating and not connected to any trace or plane.   |
| AOUTA+,-<br>AOUTB+,-                                       | 14, 15,<br>22, 23 | <b>Differential Analog Outputs (Output)</b> - The full scale differential output level is specified in " <a href="#">DAC Analog Characteristics - Commercial (-CZZ)</a> " on page 9. |
| $\overline{\text{AMUTE C}}$<br>$\overline{\text{BMUTE C}}$ | 16, 21            | <b>Mute Control (Output)</b> - Control signals for optional mute circuit.  |
| VBIAS  | 17                | <b>Positive Voltage Reference (Output)</b> - Positive reference voltage for the internal DAC   |
| VA   | 18                | <b>Analog Power (Input)</b> - Positive power supply for the analog section   |
| VQ   | 20                | <b>Quiescent Voltage (Output)</b> - Filter connection for internal quiescent voltage   |

---

|                         |    |   |
|-------------------------|----|---|
| $\overline{\text{RST}}$ | 24 | <b>Reset</b> ( <i>Input</i> ) - When pulled low, device will power down and reset all internal registers to their default settings. |
|-------------------------|----|---|

---

**Control Port Definitions**

|                             |   |  |
|-----------------------------|---|--|
| AD1/CDOUT                   | 1 | <b>Address Bit 1 / Serial Control Data Out</b> ( <i>I/O</i> ) - Chip address bit 1 in I <sup>2</sup> C Mode or data output in SPI Mode |
| AD0/ $\overline{\text{CS}}$ | 2 | <b>Address Bit 0 / Chip Select</b> ( <i>Input</i> ) - Chip address bit 0 in I <sup>2</sup> C Mode or Chip Select in SPI Mode           |
| SDA/CDIN                    | 3 | <b>Serial Control Data In</b> ( <i>I/O</i> ) - Input/Output for I <sup>2</sup> C data. Input for SPI data                              |
| SCL/CCLK                    | 4 | <b>Serial Control Port Clock</b> ( <i>Input</i> ) - Serial clock for the control port interface  |

---

**Stand-Alone Definitions**

|                      |         |  |
|----------------------|---------|--|
| DIF0<br>DIF1<br>DIF2 | 1, 3, 4 | <b>Digital Interface Format</b> ( <i>Input</i> ) - Defines the required relationship between the Left Right Clock, Serial Clock, and Serial Audio Data |
| DEM                  | 2       | <b>De-emphasis</b> ( <i>Input</i> ) - Selects the standard 15 $\mu$ s/50 $\mu$ s digital de-emphasis filter response for 44.1 kHz sample rates         |

---

## 2. CHARACTERISTICS AND SPECIFICATIONS

### RECOMMENDED OPERATING CONDITIONS

GND = 0 V; all voltages with respect to ground.

| Parameters                                    | Symbol                       | Min            | Typ  | Max | Units |    |
|---|------------------------------|----------------|------|-----|-------|----|
| DC Power Supply                               | Analog power                 | VA             | 4.75 | 5.0 | 5.25  | V  |
|   |                              |                | 3.14 | 3.3 | 3.46  | V  |
|   | Serial Audio Interface power | VLS            | 1.35 | 3.3 | 5.25  | V  |
|   | Control Interface power      | VLC            | 3.14 | 3.3 | 5.25  | V  |
| Ambient Operating Temperature (Power Applied) | Commercial (-CZZ)            | T <sub>A</sub> | -40  | -   | +85   | °C |
|   | Automotive (-DZZ)            | T <sub>A</sub> | -40  | -   | +105  | °C |
|   |                              |                |      |     |       |    |

### ABSOLUTE MAXIMUM RATINGS

GND = 0 V; all voltages with respect to ground. (Note 1)

| Parameters                                    | Symbol                       | Min                | Max  | Units    |   |
|---|------------------------------|--------------------|------|----------|---|
| DC Power Supply                               | Analog power                 | VA                 | -0.3 | 6.0      | V |
|   | Serial Audio Interface power | VLS                | -0.3 | 6.0      | V |
|   | Control Interface power      | VLC                | -0.3 | 6.0      | V |
| Input Current                                 | (Note 2)<br>I <sub>in</sub>  | -                  | ±10  | mA       |   |
| Digital Input Voltage                         | Serial Audio Interface       | V <sub>IN-LS</sub> | -0.3 | VLS+ 0.4 | V |
|   |                              | V <sub>IN-LC</sub> | -0.3 | VLC+ 0.4 | V |
| Ambient Operating Temperature (power applied) | T <sub>A</sub>               | -55                | 125  | °C       |   |
| Storage Temperature                           | T <sub>stg</sub>             | -65                | 150  | °C       |   |

- Notes:**
1. Operation beyond these limits may result in permanent damage to the device. Normal operation is not guaranteed at these extremes.
  2. Any pin except supplies.



## DAC ANALOG CHARACTERISTICS - COMMERCIAL (-CZZ)

Test conditions (unless otherwise specified): VLS = VLC = 3.3 V; T<sub>A</sub> = 25° C; Input test signal is a 997 Hz sine wave; Valid with the recommended capacitor values on VD\_FILT, VQ, VBIAS (as shown in the typical connection diagram in [Figure 10](#)) and output circuits as shown in [Figure 17](#) and [Figure 18](#); F<sub>s</sub> = 48 kHz, 96 kHz, and 192 kHz; measurement bandwidth 10 Hz to 20 kHz.

| Parameter                                  |        |            | Symbol              | Min                              | Typ     | Max     | Unit            |
|--|--------|------------|---------------------|----------------------------------|---------|---------|-----------------|
| <b>VA= 5.0 V</b>                           |        |            |                     | <b>Single-ended/Differential</b> |         |         |                 |
| Dynamic Range (Note 3)                     | 24-bit | A-Weighted |                     | 98/106                           | 101/109 | -       | dB              |
|  |        | unweighted |                     | 95/103                           | 98/106  | -       | dB              |
|  | 16-bit | A-Weighted |                     | -                                | 95/96   | -       | dB              |
|  |        | unweighted |                     | -                                | 92/93   | -       | dB              |
| Total Harmonic Distortion + Noise (Note 3) | 24-bit | 0 dB       |                     | -                                | -91     | -86/-87 | dB              |
|  |        | -20 dB     |                     | -                                | -78/-86 | -       | dB              |
|  |        | -60 dB     | THD+N               | -                                | -38/-46 | -35/-43 | dB              |
|  | 16-bit | 0 dB       |                     | -                                | -90     | -       | dB              |
|  |        | -20 dB     |                     | -                                | -72/-73 | -       | dB              |
|  |        | -60 dB     |                     | -                                | -32/-33 | -       | dB              |
| <b>VA= 3.3 V</b>                           |        |            |                     | <b>Single-ended/Differential</b> |         |         |                 |
| Dynamic Range (Note 3)                     | 24-bit | A-Weighted |                     | 98/106                           | 101/109 | -       | dB              |
|  |        | unweighted |                     | 95/103                           | 98/106  | -       | dB              |
|  | 16-bit | A-Weighted |                     | -                                | 95/96   | -       | dB              |
|  |        | unweighted |                     | -                                | 92/93   | -       | dB              |
| Total Harmonic Distortion + Noise (Note 3) | 24-bit | 0 dB       |                     | -                                | -86     | -77     | dB              |
|  |        | -2 dB      |                     | -                                | -91/-93 | -       | dB              |
|  |        | -20 dB     |                     | -                                | -78/-86 | -       | dB              |
|  | 16-bit | -60 dB     | THD+N               | -                                | -38/-46 | -35/-43 | dB              |
|  |        | 0 dB       |                     | -                                | -83     | -       | dB              |
|  |        | -20 dB     |                     | -                                | -72/-73 | -       | dB              |
|  |        | -60 dB     |                     | -                                | -32/-33 | -       | dB              |
| <b>VA= 3.3 to 5.0 V</b>                    |        |            |                     |                                  |         |         |                 |
| Interchannel Isolation                     |        | (1 kHz)    |                     | -                                | 100     | -       | dB              |
| <b>DC Accuracy</b>                         |        |            |                     |                                  |         |         |                 |
| Interchannel Gain Mismatch                 |        |            |                     | -                                | 0.1     | 0.25    | dB              |
| Gain Drift                                 |        |            |                     | -                                | -400    | -       | ppm/°C          |
| <b>Analog Output</b>                       |        |            |                     |                                  |         |         |                 |
| Full Scale Output Voltage - Single Ended   |        |            |                     | 2.61                             | 2.78    | 2.96    | V <sub>pp</sub> |
| Full Scale Output Voltage - Differential   |        |            |                     | 5.22                             | 5.56    | 5.92    | V <sub>pp</sub> |
| Quiescent Voltage                          |        |            | V <sub>Q</sub>      | -                                | 0.5•VA  | -       | VDC             |
| Max DC Current draw from an AOUT pin       |        |            | I <sub>OUTmax</sub> | -                                | 10      | -       | μA              |
| Max Current draw from VQ                   |        |            | I <sub>Qmax</sub>   | -                                | 100     | -       | μA              |
| Max AC-Load Resistance                     |        | (Note 4)   | R <sub>L</sub>      | -                                | 3       | -       | kΩ              |
| Max Load Capacitance                       |        | (Note 4)   | C <sub>L</sub>      | -                                | 100     | -       | pF              |
| Output Impedance                           |        |            | Z <sub>OUT</sub>    | -                                | 100     | -       | Ω               |

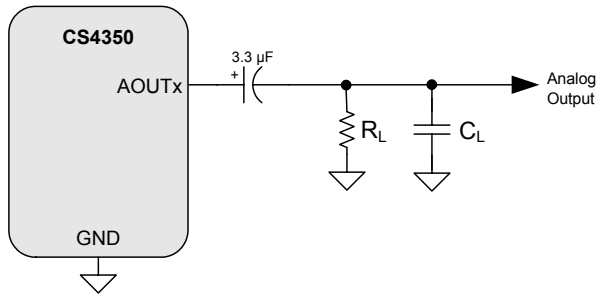
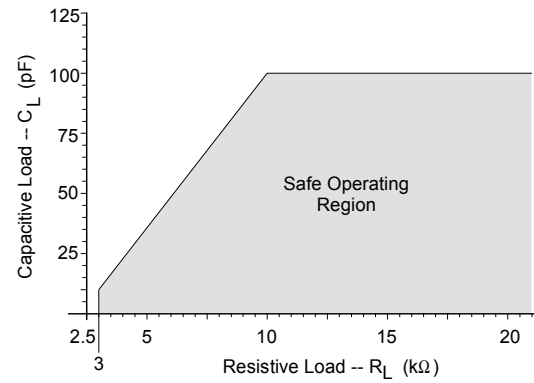
- Notes:**
- One-half LSB of triangular PDF dither is added to data
  - R<sub>L</sub> and C<sub>L</sub> represent the minimum resistance and maximum capacitance required for the CS4350's internal op-amp to remain stable. See [Figure 1](#) and [Figure 2](#) for more details.

## DAC ANALOG CHARACTERISTICS - AUTOMOTIVE (-DZZ)

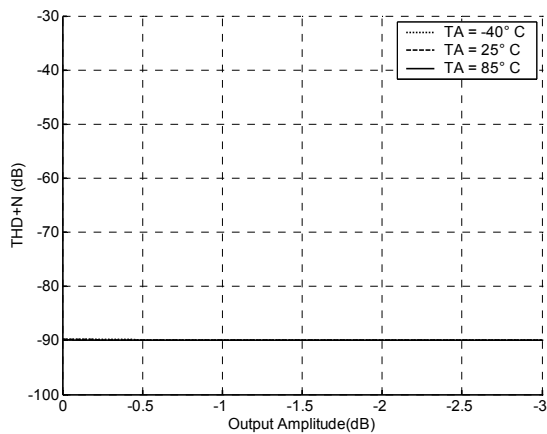
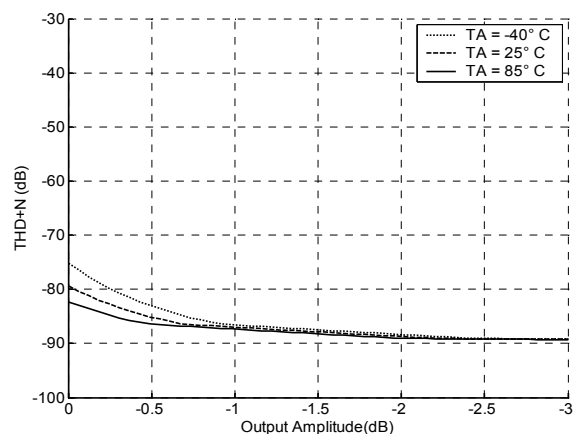
Test conditions (unless otherwise specified): VLS = 1.35 V to 5.25 V, VLC = 3.14 V to 5.25 V, T<sub>A</sub> = -40° C to 105° C, input test signal is a 997 Hz sine wave; Valid with the recommended capacitor values on VFILT, VQ, VBIAS (as shown in the typical connection diagram in [Figure 10](#)) and output circuits as shown in [Figure 17](#) and [Figure 18](#); F<sub>s</sub> = 48 kHz, 96 kHz, and 192 kHz; Measurement bandwidth 10 Hz to 20 kHz.

| Parameter                                  | Symbol                  | Min                              | Typ     | Max     | Unit            |    |
|--|-------------------------|----------------------------------|---------|---------|-----------------|----|
| <b>VA= 4.75 V to 5.25 V</b>                |                         | <b>Single-ended/Differential</b> |         |         |                 |    |
| Dynamic Range (Note 3)                     | 24-bit A-Weighted       | 95/103                           | 101/109 | -       | dB              |    |
|  | unweighted              | 92/100                           | 98/106  | -       | dB              |    |
|  | 16-bit A-Weighted       | -                                | 95/96   | -       | dB              |    |
|  | unweighted              | -                                | 92/93   | -       | dB              |    |
| Total Harmonic Distortion + Noise (Note 3) | 24-bit                  | 0 dB                             | -91     | -85     | dB              |    |
|  |                         | -20 dB                           | -78/-86 | -       | dB              |    |
|  |                         | -60 dB                           | -38/-46 | -32/-40 | dB              |    |
|  | 16-bit                  | 0 dB                             | -       | -90     | -               | dB |
|  |                         | -20 dB                           | -       | -72/-73 | -               | dB |
|  |                         | -60 dB                           | -       | -32/-33 | -               | dB |
| <b>VA= 3.14 V to 3.46 V</b>                |                         | <b>Single-ended/Differential</b> |         |         |                 |    |
| Dynamic Range (Note 3)                     | 24-bit A-Weighted       | 94/103                           | 101/109 | -       | dB              |    |
|  | unweighted              | 91/100                           | 98/106  | -       | dB              |    |
|  | 16-bit A-Weighted       | -                                | 95/96   | -       | dB              |    |
|  | unweighted              | -                                | 92/93   | -       | dB              |    |
| Total Harmonic Distortion + Noise (Note 5) | 24-bit                  | -1 dB                            | -89     | -83     | dB              |    |
|  |                         | -2 dB                            | -91/-93 | -       | dB              |    |
|  |                         | -20 dB                           | -78/-86 | -       | dB              |    |
|  | 16-bit                  | -60 dB                           | -38/-46 | -31/-40 | dB              |    |
|  |                         | 0 dB                             | -       | -83     | -               | dB |
|  |                         | -20 dB                           | -       | -72/-73 | -               | dB |
| -60 dB                                     | -                       | -32/-33                          | -       | dB      |                 |    |
| <b>VA= 3.14 to 5.25 V</b>                  |                         |                                  |         |         |                 |    |
| Interchannel Isolation                     | (1 kHz)                 | -                                | 100     | -       | dB              |    |
| <b>DC Accuracy</b>                         |                         |                                  |         |         |                 |    |
| Interchannel Gain Mismatch                 |                         | -                                | 0.1     | 0.25    | dB              |    |
| Gain Drift                                 |                         | -                                | -400    | -       | ppm/°C          |    |
| <b>Analog Output</b>                       |                         |                                  |         |         |                 |    |
| Full Scale Output Voltage - Single Ended   |                         | 2.55                             | 2.78    | 3.03    | V <sub>pp</sub> |    |
| Full Scale Output Voltage - Differential   |                         | 5.10                             | 5.56    | 6.06    | V <sub>pp</sub> |    |
| Quiescent Voltage                          | V <sub>Q</sub>          | -                                | 0.5•VA  | -       | VDC             |    |
| Max DC Current draw from an AOUT pin       | I <sub>OUTmax</sub>     | -                                | 10      | -       | μA              |    |
| Max Current draw from VQ                   | I <sub>Qmax</sub>       | -                                | 100     | -       | μA              |    |
| Max AC-Load Resistance                     | (Note 4) R <sub>L</sub> | -                                | 3       | -       | kΩ              |    |
| Max Load Capacitance                       | (Note 4) C <sub>L</sub> | -                                | 100     | -       | pF              |    |
| Output Impedance                           | Z <sub>OUT</sub>        | -                                | 100     | -       | Ω               |    |

**Note:** 5. One-half LSB of triangular PDF dither is added to data. Also, see [Figure 3](#), [Figure 4](#), and [Figure 5](#) for more details on the CS4350-DZZ THD+N performance with 0dB input signal.


**Figure 1. Equivalent Output Load**

**Figure 2. Maximum Loading**

Figures 3 through 5 show typical THD+N performance for CS4350 devices that exhibit the maximum full scale output voltages as specified in the DAC Analog Characteristics tables (see [page 9](#) and [10](#)). With decreasing  $V_A$ , THD+N performance is increasingly affected by the full scale output voltage and temperature, with higher full scale output voltage and lower temperatures corresponding to lower THD+N performance.


**Figure 3. THD+N vs Output Amplitude for  $V_A = 5.0$  V**

**Figure 4. THD+N vs Output Amplitude for  $V_A = 3.3$  V**

**Figure 5. THD+N vs Output Amplitude for  $V_A = 3.14$  V**

## COMBINED INTERPOLATION & ON-CHIP ANALOG FILTER RESPONSE

The filter characteristics have been normalized to the sample rate ( $F_s$ ) and can be referenced to the desired sample rate by multiplying the given characteristic by  $F_s$ . Amplitude vs. Frequency plots of this data are available in the “Filter Plots” on page 36.

| Parameter   |                                | Min   | Typ        | Max            | Unit  |
|---|--------------------------------|-------|------------|----------------|-------|
| <b>Fast Roll-Off</b>                              |                                |       |            |                |       |
| Passband (Note 6)                                 | -0.01 dB corner (Single Speed) | 0     | -          | .454           | $F_s$ |
|   | -0.1 dB corner (Double Speed)  | 0     | -          | .42            | $F_s$ |
|   | -0.2 dB corner (Quad Speed)    | 0     | -          | .27            | $F_s$ |
|   | -3 dB corner (All Speed Modes) | 0     | -          | .499           | $F_s$ |
| Frequency Response 10 Hz to 20 kHz                | Single Speed                   | -0.01 | -          | +0.01          | dB    |
|   | Double Speed, Quad Speed       | -0.02 | -          | +0.02          | dB    |
| StopBand  |                                | 0.547 | -          | -              | $F_s$ |
| Stop-Band Attenuation (Note 7)                    |                                | 102   | -          | -              | dB    |
| Total Group Delay ( $F_s$ = Output Sample Rate)   |                                | -     | 9.4/ $F_s$ | -              | s     |
| Intra-channel Phase Deviation                     |                                | -     | -          | $\pm 0.56/F_s$ | s     |
| Inter-channel Phase Deviation                     |                                | -     | -          | 0              | s     |
| De-emphasis Error (Note 8)<br>(Relative to 1 kHz) | $F_s$ = 32 kHz                 | -     | -          | $\pm 0.23$     | dB    |
|   | $F_s$ = 44.1 kHz               | -     | -          | $\pm 0.14$     | dB    |
|   | $F_s$ = 48 kHz                 | -     | -          | $\pm 0.09$     | dB    |
| <b>Slow Roll-Off (Note 9)</b>                     |                                |       |            |                |       |
| Passband (Note 6)                                 | -0.01 dB corner (Single Speed) | 0     | -          | 0.417          | $F_s$ |
|   | -0.1 dB corner (Double Speed)  | 0     | -          | .37            | $F_s$ |
|   | -0.2 dB corner (Quad Speed)    | 0     | -          | .27            | $F_s$ |
|   | -3 dB corner (All Speed Modes) | 0     | -          | .499           | $F_s$ |
| Frequency Response 10 Hz to 20 kHz                | Single Speed                   | -0.01 | -          | +0.01          | dB    |
|   | Double Speed, Quad Speed       | -0.02 | -          | +0.02          | dB    |
| StopBand  |                                | .583  | -          | -              | $F_s$ |
| Stop-Band Attenuation (Note 7)                    |                                | 64    | -          | -              | dB    |
| Total Group Delay ( $F_s$ = Output Sample Rate)   |                                | -     | 6.5/ $F_s$ | -              | s     |
| Intra-channel Phase Deviation                     |                                | -     | -          | $\pm 0.14/F_s$ | s     |
| Inter-channel Phase Deviation                     |                                | -     | -          | 0              | s     |
| De-emphasis Error (Note 8)<br>(Relative to 1 kHz) | $F_s$ = 32 kHz                 | -     | -          | $\pm 0.23$     | dB    |
|   | $F_s$ = 44.1 kHz               | -     | -          | $\pm 0.14$     | dB    |
|   | $F_s$ = 48 kHz                 | -     | -          | $\pm 0.09$     | dB    |

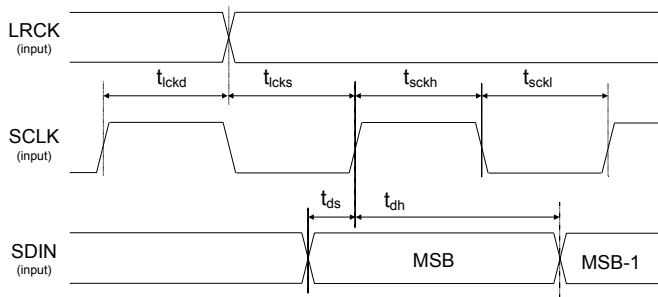
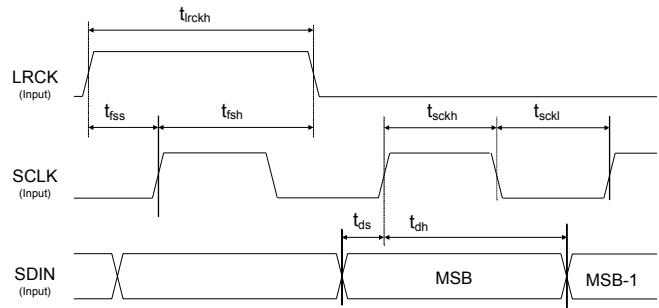
- Notes:**
6. Response is clock dependent.
  7. The Measurement Bandwidth is from stopband to 3  $F_s$ .
  8. De-emphasis is available only in Single-Speed Mode; Only 44.1 kHz De-emphasis is available in Stand-Alone Mode.
  9. Slow Roll-off interpolation filter is only available in Control Port Mode.

**SWITCHING SPECIFICATIONS - SERIAL AUDIO INTERFACE**

 Inputs: Logic 0 = GND; Logic 1 = VLS;  $C_L = 20$  pF.

| Parameters  | Symbol            | Min   | Max  | Units |
|---|-------------------|-------|------|-------|
| <b><math>3.14\text{ V} \leq V_A \leq 5.25\text{ V}</math> and <math>1.35\text{ V} \leq V_{LS} \leq 5.25\text{ V}</math></b> |                   |       |      |       |
| RMCK Output Frequency (Note 10)   |                   | 7.680 | 55.3 | MHz   |
| RMCK Output Duty Cycle  |                   | 45    | 55   | %     |
| Input Sample Rate   | Single-Speed Mode | 30    | 54   | kHz   |
|   | Double-Speed Mode | 60    | 108  |       |
|   | Quad-Speed Mode   | 120   | 216  |       |
| LRCK Duty Cycle (Non-TDM Mode)  |                   | 40    | 60   | %     |
| SDIN Setup Time Before SCLK Rising Edge   | $t_{ds}$          | 1     | -    | ns    |
| SDIN Hold Time After SCLK Rising Edge   | $t_{dh}$          | 1     | -    | ns    |
| <b><math>4.75\text{ V} \leq V_A \leq 5.25\text{ V}</math> and <math>3.14\text{ V} \leq V_{LS} \leq 5.25\text{ V}</math></b> |                   |       |      |       |
| SCLK Frequency  |                   | -     | 55.3 | MHz   |
| SCLK High Time  | $t_{sckh}$        | 6     | -    | ns    |
| SCLK Low Time   | $t_{sckl}$        | 6     | -    | ns    |
| <b>Non-TDM Mode</b> (refer to <a href="#">Figure 6</a> )  |                   |       |      |       |
| LRCK Edge to SCLK Rising Edge   | $t_{lcks}$        | 11    | -    | ns    |
| SCLK Rising Edge to LRCK Edge   | $t_{lckd}$        | 1     | -    | ns    |
| <b>TDM Mode</b> (refer to <a href="#">Figure 7</a> )  |                   |       |      |       |
| LRCK High Time  | $t_{lrckh}$       | 6     | -    | ns    |
| SCLK Rising to LRCK Falling Edge  | $t_{fsh}$         | 3     | -    | ns    |
| LRCK Rising Edge to SCLK Rising Edge  | $t_{fss}$         | 1     | -    | ns    |
| <b><math>3.14\text{ V} \leq V_A &lt; 4.75\text{ V}</math> or <math>1.35\text{ V} \leq V_{LS} &lt; 3.14\text{ V}</math></b>  |                   |       |      |       |
| SCLK Frequency  |                   | -     | 27.7 | MHz   |
| SCLK High Time  | $t_{sckh}$        | 11    | -    | ns    |
| SCLK Low Time   | $t_{sckl}$        | 11    | -    | ns    |
| <b>Non-TDM Mode</b> (refer to <a href="#">Figure 6</a> )  |                   |       |      |       |
| LRCK Edge to SCLK Rising Edge   | $t_{lcks}$        | 16    | -    | ns    |
| SCLK Rising Edge to LRCK Edge   | $t_{lckd}$        | 1     | -    | ns    |
| <b>TDM Mode</b> (refer to <a href="#">Figure 7</a> )  |                   |       |      |       |
| LRCK High Time  | $t_{lrckh}$       | 25    | -    | ns    |
| SCLK Rising to LRCK Falling Edge  | $t_{fsh}$         | 8     | -    | ns    |
| LRCK Rising Edge to SCLK Rising Edge  | $t_{fss}$         | 1     | -    | ns    |

**Note:** 10. RMCK output frequency depends on the input LRCK frequency. See [Section 4.1](#) and [Section 4.2](#) for more details.

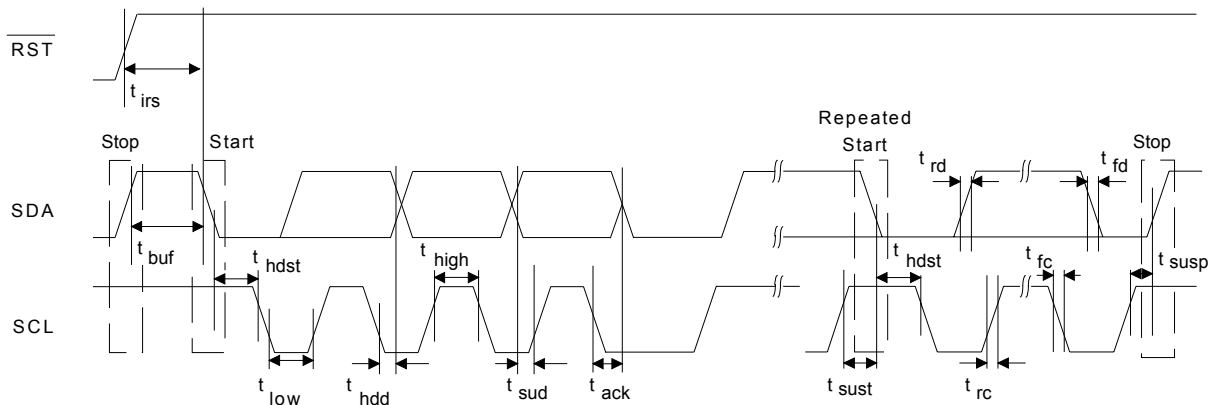

**Figure 6. Serial Port Timing, Non-TDM Mode**

**Figure 7. Serial Port Timing, TDM Mode**

## SWITCHING CHARACTERISTICS - CONTROL PORT - I<sup>2</sup>C FORMAT

Inputs: Logic 0 = GND; Logic 1 = V<sub>CC</sub>; C<sub>L</sub> = 20 pF.

| Parameter  | Symbol                            | Min | Max  | Unit |
|--|-----------------------------------|-----|------|------|
| SCL Clock Frequency                                    | f <sub>scl</sub>                  | -   | 100  | kHz  |
| RST Rising Edge to Start                               | t <sub>irs</sub>                  | 500 | -    | ns   |
| Bus Free Time Between Transmissions                    | t <sub>buf</sub>                  | 4.7 | -    | μs   |
| Start Condition Hold Time (prior to first clock pulse) | t <sub>hdst</sub>                 | 4.0 | -    | μs   |
| Clock Low time   | t <sub>low</sub>                  | 4.7 | -    | μs   |
| Clock High Time  | t <sub>high</sub>                 | 4.0 | -    | μs   |
| Setup Time for Repeated Start Condition                | t <sub>sust</sub>                 | 4.7 | -    | μs   |
| SDA Hold Time from SCL Falling (Note 11)               | t <sub>hdd</sub>                  | 0   | -    | μs   |
| SDA Setup time to SCL Rising                           | t <sub>sud</sub>                  | 250 | -    | ns   |
| Rise Time of SCL and SDA                               | t <sub>rc</sub> , t <sub>rc</sub> | -   | 1    | μs   |
| Fall Time SCL and SDA                                  | t <sub>fc</sub> , t <sub>fc</sub> | -   | 300  | ns   |
| Setup Time for Stop Condition                          | t <sub>susp</sub>                 | 4.7 | -    | μs   |
| Acknowledge Delay from SCL Falling                     | t <sub>ack</sub>                  | 300 | 1000 | ns   |

**Note:** 11. Data must be held for sufficient time to bridge the transition time, t<sub>rc</sub>, of SCL.

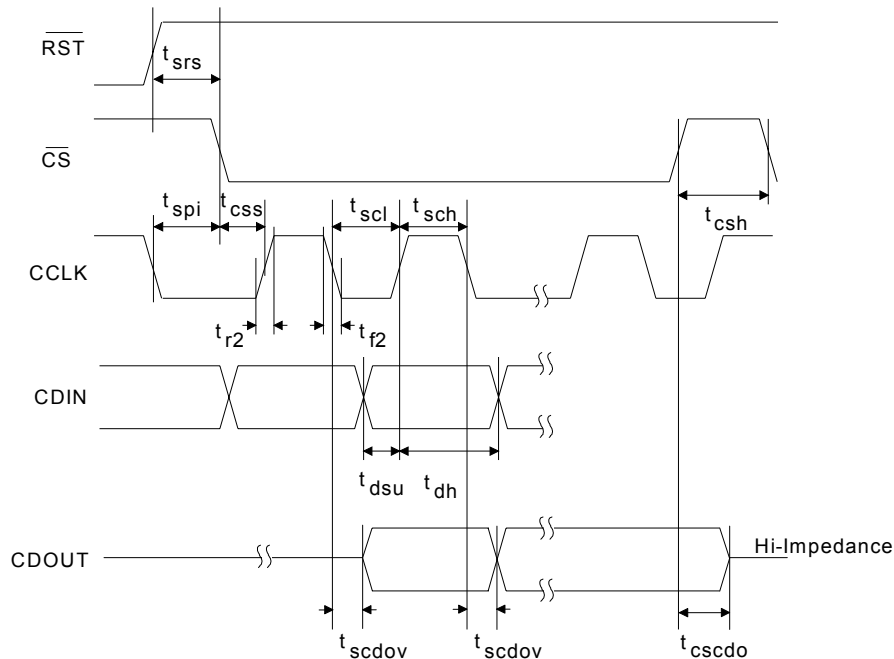

**Figure 8. Control Port Timing - I<sup>2</sup>C Format**

## SWITCHING CHARACTERISTICS - CONTROL PORT - SPI FORMAT

Inputs: Logic 0 = GND; Logic 1 = V<sub>LC</sub>; C<sub>L</sub> = 20 pF.

| Parameter  | Symbol             | Min | Max | Unit |
|--|--------------------|-----|-----|------|
| CCLK Clock Frequency                                   | f <sub>sclk</sub>  | -   | 6   | MHz  |
| $\overline{\text{RST}}$ Rising Edge to CS Falling      | t <sub>srs</sub>   | 500 | -   | ns   |
| CCLK Edge to $\overline{\text{CS}}$ Falling (Note 12)  | t <sub>spi</sub>   | 500 | -   | ns   |
| $\overline{\text{CS}}$ High Time Between Transmissions | t <sub>csh</sub>   | 1.0 | -   | μs   |
| $\overline{\text{CS}}$ Falling to CCLK Edge            | t <sub>css</sub>   | 20  | -   | ns   |
| CCLK Low Time  | t <sub>scl</sub>   | 66  | -   | ns   |
| CCLK High Time   | t <sub>sch</sub>   | 66  | -   | ns   |
| CDIN to CCLK Rising Setup Time                         | t <sub>dsu</sub>   | 40  | -   | ns   |
| CCLK Rising to DATA Hold Time (Note 13)                | t <sub>dh</sub>    | 15  | -   | ns   |
| Rise Time of CCLK and CDIN (Note 14)                   | t <sub>r2</sub>    | -   | 100 | ns   |
| Fall Time of CCLK and CDIN (Note 14)                   | t <sub>f2</sub>    | -   | 100 | ns   |
| Transition Time from CCLK to CDOUT Valid (Note 15)     | t <sub>scdov</sub> | -   | 100 | ns   |
| Time from CS rising to CDOUT High-Z                    | t <sub>cscdo</sub> | -   | 100 | ns   |

- Notes:**
12. t<sub>spi</sub> only needed before first falling edge of  $\overline{\text{CS}}$  after  $\overline{\text{RST}}$  rising edge. t<sub>spi</sub> = 0 at all other times.
  13. Data must be held for sufficient time to bridge the transition time of CCLK.
  14. For F<sub>SCK</sub> < 1 MHz.
  15. CDOUT should *not* be sampled during this time.



**Figure 9. Control Port Timing - SPI Mode**

## DIGITAL CHARACTERISTICS

| Parameters   | Symbol   | Min              | Typ | Max              | Units   |
|--|----------|------------------|-----|------------------|---------|
| High-Level Input Voltage<br>VLC or VLS = 5.0 V<br>VLC or VLS = 3.3 V<br>VLS = 2.5 V<br>VLS = 1.5 V | $V_{IH}$ | $0.7 \cdot V_L$  | -   | -                | V       |
|  | $V_{IH}$ | 2.0              | -   | -                | V       |
|  | $V_{IH}$ | 1.7              | -   | -                | V       |
|  | $V_{IH}$ | $0.75 \cdot V_L$ | -   | -                | V       |
| High-Level Input Voltage<br>VLC or VLS = 5.0 V<br>VLC or VLS = 3.3 V<br>VLS = 2.5 V<br>VLS = 1.5 V | $V_{IL}$ | -                | -   | $0.35 \cdot V_L$ | V       |
|  | $V_{IL}$ | -                | -   | 0.8              | V       |
|  | $V_{IL}$ | -                | -   | 0.7              | V       |
|  | $V_{IL}$ | -                | -   | $0.25 \cdot V_L$ | V       |
| Input Leakage Current  | $I_{in}$ | -                | -   | $\pm 10$         | $\mu A$ |
| Input Capacitance  |          | -                | 8   | -                | pF      |
| High Level Output Voltage (RMCK) $I_O = 2$ mA (VLS $\geq$ 3.0V)                                    | $V_{OH}$ | VLS-1.0          | -   | -                | V       |
| Low Level Output Voltage (RMCK) $I_O = -2$ mA (VLS $\geq$ 3.0V)                                    | $V_{OL}$ | -                | -   | 0.4              | V       |
| RMCK Output Load Drive   |          | -                | -   | 10               | pF      |
| Maximum MUTE C Drive Current   |          | -                | 2   | -                | mA      |
| MUTE C High-Level Output Voltage   | $V_{OH}$ | -                | VA  | -                | V       |
| MUTE C Low-Level Output Voltage  | $V_{OL}$ | -                | 0   | -                | V       |

## POWER AND THERMAL CHARACTERISTICS

| Parameters  | Symbol   | Min | Typ  | Max | Units   |
|---|----------|-----|------|-----|---------|
| Power Supply Current - Normal Operation (Note 16)<br>VA = 5.0 V<br>VA = 3.3 V<br>VLS = VLC = 5.0 V (Note 17)<br>VLS = VLC = 3.3 V (Note 17)<br>VLS = VLC = 5.0 V (Note 18)<br>VLS = VLC = 3.3 V (Note 18) | $I_A$    | -   | 28   | 34  | mA      |
|   | $I_A$    | -   | 24   | 29  | mA      |
|   | $I_{LS}$ | -   | 4    | 6   | mA      |
|   | $I_{LS}$ | -   | 2    | 5   | mA      |
|   | $I_{LC}$ | -   | 14   | 18  | mA      |
|   | $I_{LC}$ | -   | 14   | 18  | mA      |
| Power Supply Current - Power-Down State (Note 19)<br>VA, VLS, VLC   | $I_{pd}$ | -   | 100  | -   | $\mu A$ |
| Power Dissipation - Normal Operation (Note 16)<br>VA = VLC = VLS = 5.0 V<br>VA = VLC = VLS = 3.3 V  |          | -   | 230  | 290 | mW      |
|   |          | -   | 132  | 171 | mW      |
| Power Dissipation - Power-Down State (Note 19)<br>VA = VLC = VLS = 5.0 V<br>VA = VLC = VLS = 3.3 V  |          | -   | 0.5  | -   | mW      |
|   |          | -   | 0.33 | -   | mW      |
| Power Supply Rejection Ratio (Note 20)<br>(1 kHz)<br>(60 Hz)  | PSRR     | -   | 60   | -   | dB      |
|   | PSRR     | -   | 50   | -   | dB      |

**Notes:** 16. Current consumption increases with increasing Fs within the range of a speed mode. Variance between speed modes is small. Typ and Max values are based on Fs = 48 kHz.

17.  $I_{LS}$  measured with no external loading on pin 7 (RMCK).

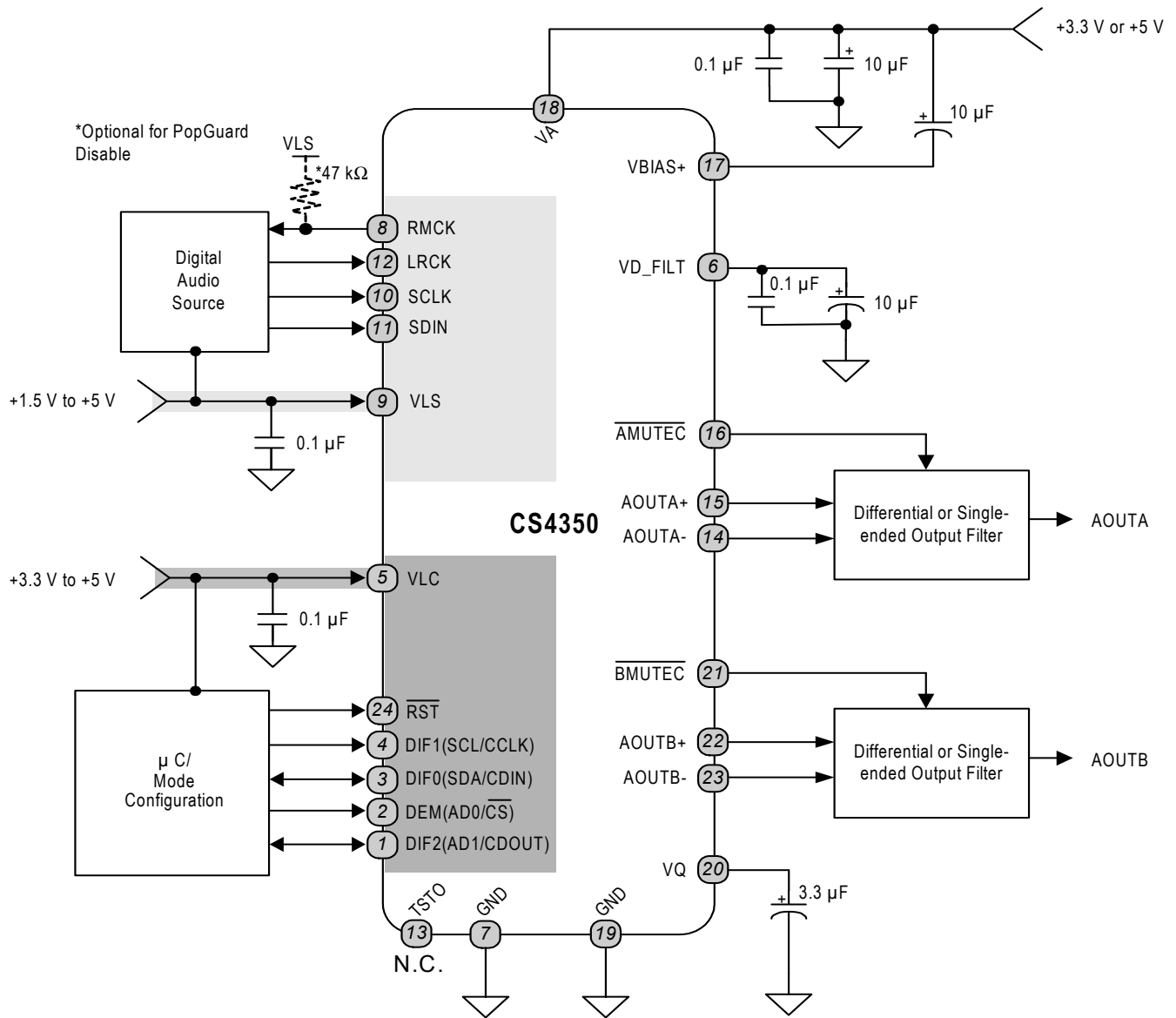
18.  $I_{LC}$  measured with no external loading on pin 2 (SDA).

19. Power-down mode is defined as  $\overline{RST}$  pin = Low with all clock and data lines held static.

20. Valid with the recommended capacitor values on VFILT, VQ, and VBIAS+ as shown in the typical connection diagram in Figure 10.



### 3. TYPICAL CONNECTION DIAGRAM



**Figure 10. Typical Connection Diagram**

## 4. APPLICATIONS

### 4.1 Sample Rate Range and Oversampling Mode Detect

The device operates in one of three oversampling modes based on the input sample rate. In Control Port Mode, the allowed sample rate range in each mode will depend on how the FM[1:0] bits are configured. In Stand-Alone Mode, the sample rate range will be according to [Table 1](#).

#### 4.1.1 Sample Rate Auto-Detect

The Auto-Detect feature is enabled by default. In this state, the CS4350 will auto-detect the correct mode when the input sample rate ( $F_s$ ), defined by the LRCK frequency, falls within one of the ranges shown in [Table 1](#). Sample rates outside the specified range for each mode are not supported when Auto-Detect is enabled.

| Input Sample Rate ( $F_s$ ) | Mode              |
|-----------------------------|-------------------|
| 30 kHz - 54 kHz             | Single-Speed Mode |
| 60 kHz - 108 kHz            | Double-Speed Mode |
| 120 kHz - 216 kHz           | Quad-Speed Mode   |

**Table 1. CS4350 Auto-Detect**

In Control Port Mode, the Auto-Detect feature can be disabled by the Functional Mode (FM[1:0]) bits in the control port register 02h. In this state, the CS4350 will not auto-detect the correct mode based on the input sample rate ( $F_s$ ). The operational mode must then be set manually according to one of the ranges referred to in [Section 8.2.3](#). Sample rates outside the specified range for each mode are not supported. In Stand-Alone Mode it is not possible to disable auto-detect of sample rates.

### 4.2 System Clocking

The device requires external generation of the left/right (LRCK) and serial (SCLK) clocks. The left/right clock frequency is equal to the input sample rate ( $F_s$ ).

Refer to [Section 4.3](#) for the required SCLK-to-LRCK timing associated with the selected digital interface format, and [“Switching Specifications - Serial Audio Interface” on page 13](#) for the maximum allowed clock frequencies.

#### 4.2.1 Recovered Master Clock (RMCK)

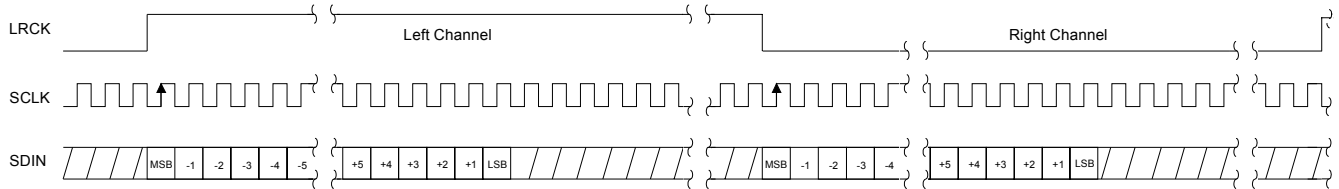
The CS4350 generates a high-frequency master clock (RMCK) which it derives from the LRCK input, available on the RMCK pin. In Stand-Alone Mode, the frequency of RMCK is equal to 256 x LRCK in Single-Speed and Double-Speed Mode; and 128 x LRCK in Quad-Speed Mode. In Control-Port Mode, the frequency of the RMCK signal can be selected through register 08h (see [Section 8.7 on page 34](#) for more details).

### 4.3 Digital Interface Format

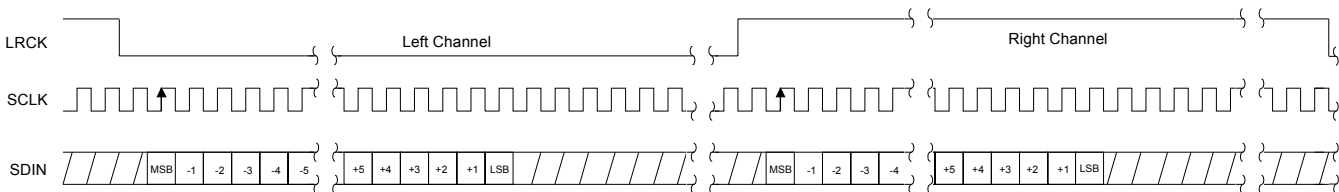
The device will accept audio samples in 1 of 8 digital interface formats, as shown in [Table 2 on page 24](#) for Stand-Alone Mode and [Table 3 on page 29](#) for Control Port Mode.

The desired serial audio interface format is selected via the DIF[2:0] bits in Control Port Mode (see [Section 8.2.1](#)), or the DIF[2:0] pins in Stand-Alone Mode (see [Section 5.1](#)). For illustrations of the required relationship between LRCK, SCLK and SDIN, see [Figures 11-13](#). For all formats, SDIN is valid on the rising edge of SCLK.

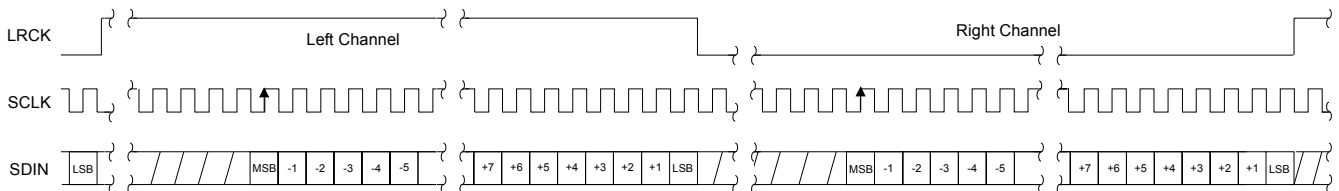
For more information about serial audio formats, refer to the Cirrus Logic Application Note AN282, *The 2-Channel Serial Audio Interface: A Tutorial*, available at [www.cirrus.com](http://www.cirrus.com).



**Figure 11. Left-Justified up to 24-Bit Data**



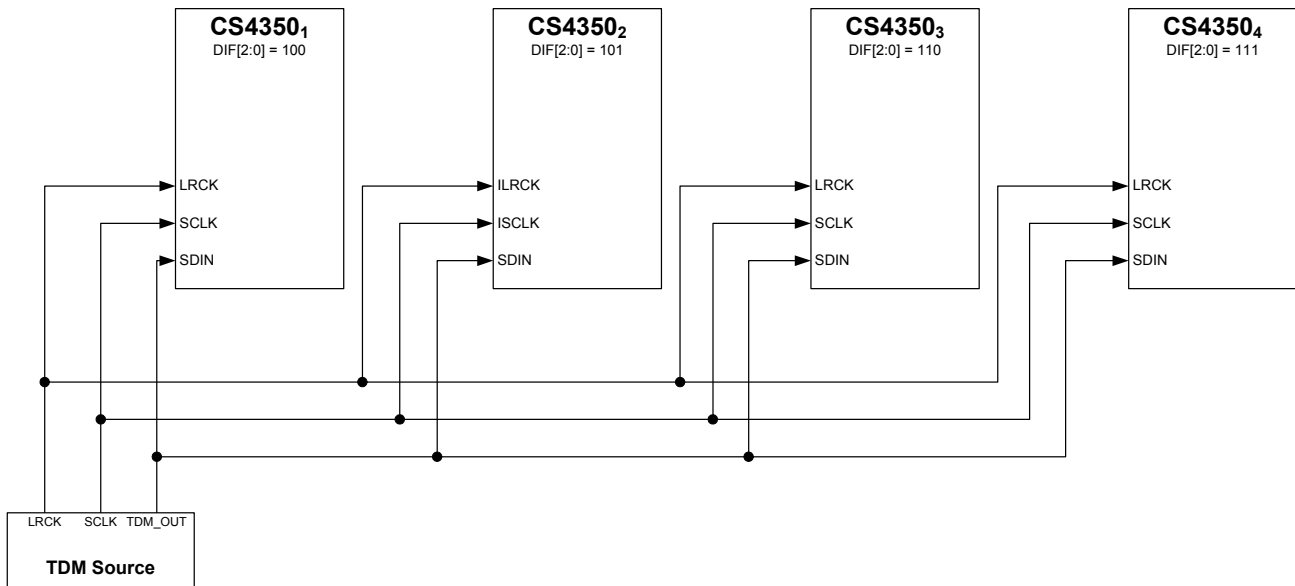
**Figure 12. I²S, up to 24-Bit Data**



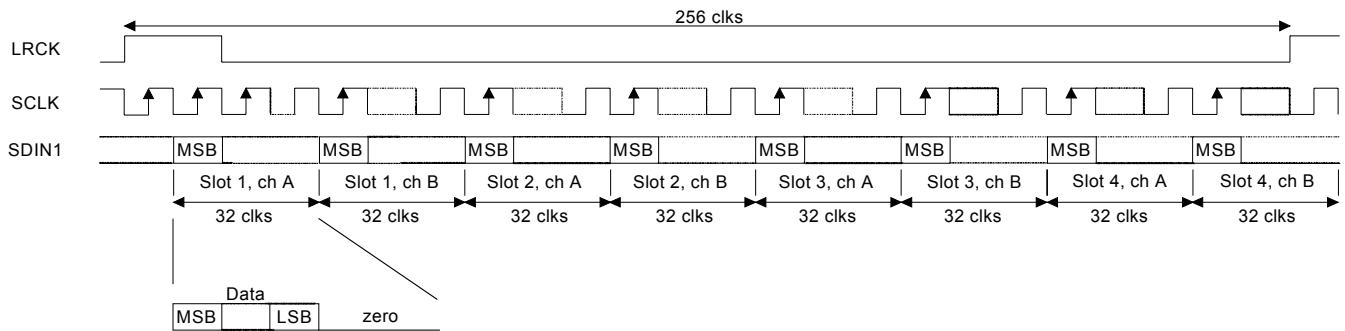
**Figure 13. Right-Justified Data**

### 4.3.1 Time-Division Multiplex (TDM) Mode

Four TDM interface modes are available that allow the CS4350 to input stereo PCM data in one of 4 time “slots”. Figure 14 shows the serial port connections necessary to input 8-channel TDM data into four CS4350 devices, and the corresponding DIF[2:0] pin or register-bit settings required for each CS4350. Figure 15 shows the TDM data format for each of the four CS4350 devices shown in Figure 14.



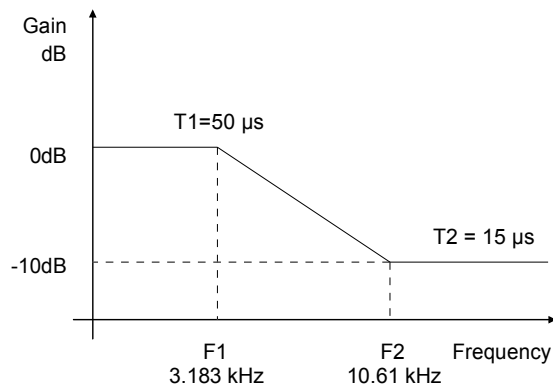
**Figure 14. TDM Mode Connection Diagram**



**Figure 15. TDM Mode Timing**

## 4.4 De-Emphasis

The device includes on-chip digital de-emphasis. [Figure 16](#) shows the de-emphasis curve for  $F_s$  equal to 44.1 kHz. The frequency response of the de-emphasis curve will scale proportionally with changes in sample rate,  $F_s$ .



**Figure 16. De-Emphasis Curve**

**Note:** De-emphasis is only available in Single-Speed Mode.

## 4.5 Mute Control

The mute control pins ( $\overline{\text{AMUTE}}\overline{\text{C}}$  and  $\overline{\text{BMUTE}}\overline{\text{C}}$ ) go active during power-up initialization, reset, muting (see [Section 8.4.3](#)), and loss of LRCK. These pins are intended to be used as control for external mute circuits to prevent the clicks and pops that can occur in any single-ended single-supply system.

Use of the mute control function is not mandatory but recommended for designs requiring the absolute minimum in extraneous clicks and pops. Also, use of the Mute Control function can enable the system designer to achieve idle-channel noise and signal-to-noise ratios which are only limited by the external mute circuit.

## 4.6 Recommended Power-Up Sequence

### 4.6.1 Stand-Alone Mode

1. Hold  $\overline{\text{RST}}$  low until the power supplies and configuration pins are stable, and the master and left/right clocks are fixed to the appropriate frequencies, as discussed in [Section 4.2](#). In this state, the control port registers are reset to their default settings, VQ will remain low, and VBIAS will be connected to VA.
2. Bring  $\overline{\text{RST}}$  high. The device will remain in a low power state with VQ low for approximately 512 LRCK cycles in Single-Speed Mode (1024 LRCK cycles in Double-Speed Mode, and 2048 LRCK cycles in Quad-Speed Mode).
3. The device will then initiate the power up sequence which lasts approximately 50  $\mu\text{s}$  when the Popguard is disabled. If the Popguard is enabled, see [Section 4.7](#) for a complete description of power-up timing.

### 4.6.2 Control Port Mode

1. Hold  $\overline{\text{RST}}$  low until the power supply is stable and the left/right clock is fixed to the appropriate frequency, as discussed in [Section 4.2](#). In this state, the control port is reset to its default settings, VQ will remain low, and VBIAS will be connected to VA.
2. Bring  $\overline{\text{RST}}$  high. The device will remain in a low-power state with VQ low.
3. Perform a control port write to a valid register prior to the completion of approximately 512 LRCK cycles in Single-Speed Mode (1024 LRCK cycles in Double-Speed Mode, and 2048 LRCK cycles in Quad-Speed Mode). The desired register settings can be loaded while keeping the PDN bit set to 1.
4. Set the PDN bit to 0. This will initiate the power-up sequence, which lasts approximately 50  $\mu\text{s}$  when the Popguard is disabled. If the Popguard is enabled, see [Section 4.7](#) for a complete description of power-up timing.

## 4.7 Popguard Transient Control

The CS4350 uses a novel technique to minimize the effects of output transients during power-up and power-down. This technology, when used with external DC-blocking capacitors in series with the audio outputs, minimizes the audio transients commonly produced by single-ended single-supply converters. It is activated inside the DAC when the  $\overline{\text{RST}}$  pin is toggled and requires no other external control, aside from choosing the appropriate DC-blocking capacitors.

### 4.7.1 Power-Up

When the device is initially powered-up, the audio outputs, AOUTA and AOUTB, are clamped to GND. Following a delay of approximately 1000 sample periods, each output begins to ramp toward the quiescent voltage. Approximately 10,000 LRCK cycles later, the outputs reach  $V_Q$  and audio output begins. This gradual voltage ramping allows time for the external DC-blocking capacitors to charge to the quiescent voltage, minimizing audible power-up transients.

### 4.7.2 Power-Down

To prevent audible transients at power-down, the device must first enter its power-down state. When this occurs, audio output ceases and the internal output buffers are disconnected from AOUTA and AOUTB. In their place, a soft-start current sink is substituted which allows the DC-blocking capacitors to slowly discharge. Once this charge is dissipated, the power to the device may be turned off, and the system is ready for the next power-on.

### 4.7.3 Discharge Time

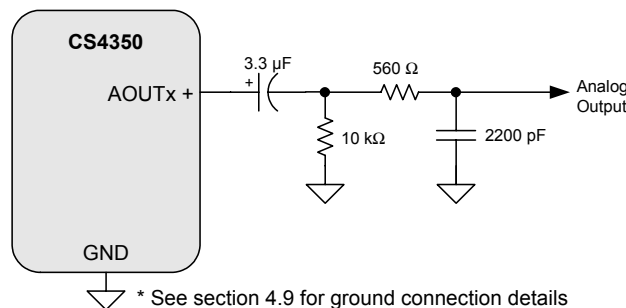
To prevent an audio transient at the next power-on, the DC-blocking capacitors must fully discharge before turning on the power or exiting the power-down state. If full discharge does not occur, a transient will occur when the audio outputs are initially clamped to GND. The time that the device must remain in the power-down state is related to the value of the DC-blocking capacitance and the output load. For example, with a 3.3  $\mu\text{F}$  capacitor, the minimum power-down time will be approximately 0.4 seconds.

## 4.8 Analog Output and Filtering

The Cirrus Application Note titled *Design Notes for a 2-Pole Filter with Differential Input*, available as AN48 at [www.cirrus.com](http://www.cirrus.com), discusses the second-order Butterworth filter and differential-to-single-ended converter that was implemented on the CS4350 evaluation board, CDB4350. Figure 17 illustrates this implementation. If only single-ended outputs from the CS4350 are required, the passive output filter shown in Figure 18 can be used.



**Figure 17. Differential to Single-Ended Output Filter**



**Figure 18. Passive Single-Ended Output Filter**

## 4.9 Grounding and Power Supply Arrangements

As with any high-resolution converter, the CS4350 requires careful attention to power supply and grounding arrangements if its potential performance is to be realized. Figure 10 shows the recommended power arrangements, with VA, VLC, and VLS connected to clean supplies. The use of split analog and digital ground planes is not recommended. However, if planes are split between digital ground and analog ground the GND pins of the CS4350 should be connected to the analog ground plane.

All signals, especially clocks, should be kept away from the VBIAS, VFILT, and VQ pins in order to avoid unwanted coupling into the DAC.

### 4.9.1 Capacitor Placement

Decoupling capacitors should be placed as close to the DAC as possible, with the low value ceramic capacitor being the closest. To further minimize impedance, these capacitors should be located on the same layer as the DAC. If desired, all supply pins may be connected to the same supply, but a decoupling capacitor should still be placed on each supply pin.

**Note:** All decoupling capacitors should be referenced to GND.

The CDB4350 evaluation board demonstrates the optimum layout and power supply arrangements.

## 5. STAND-ALONE OPERATION

### 5.1 Serial Port Format Selection

The desired serial audio format is selected with the DIF2, DIF1 and DIF0 pins. For an explanation of the required relationship between the LRCK, SCLK and SDIN, see [Figures 11-13](#). For all formats, SDIN is valid on the rising edge of SCLK. TDM Mode requires the selection of which stereo pair time “slot” is used to output data as shown in [Table 2](#) and [Figure 15](#).

| DIF2 | DIF1 | DIF0 | DESCRIPTION                         | FORMAT | FIGURE             |
|------|------|------|-------------------------------------|--------|--------------------|
| 0    | 0    | 0    | Left-Justified, up to 24-bit data   | 0      | <a href="#">12</a> |
| 0    | 0    | 1    | I <sup>2</sup> S, up to 24-bit data | 1      | <a href="#">11</a> |
| 0    | 1    | 0    | Right-Justified, 16-bit data        | 2      | <a href="#">13</a> |
| 0    | 1    | 1    | Right-Justified, 24-bit data        | 3      | <a href="#">13</a> |
| 1    | 0    | 0    | TDM slot 0                          | 4      | <a href="#">15</a> |
| 1    | 0    | 1    | TDM slot 1                          | 5      | <a href="#">15</a> |
| 1    | 1    | 0    | TDM slot 2                          | 6      | <a href="#">15</a> |
| 1    | 1    | 1    | TDM slot 3                          | 7      | <a href="#">15</a> |

**Table 2. Digital Interface Format - Stand-Alone Mode**

### 5.2 De-Emphasis Control

When pulled to VLC, the DEM pin activates the 44.1 kHz de-emphasis filter. When pulled to GND, the DEM pin turns off the de-emphasis filter.

### 5.3 Popguard Transient Control

In Stand-Alone Mode, Popguard is enabled by default. Popguard can be defeated in Stand-Alone Mode by placing a 47 kΩ resistor between RMCK and VLS.



## 6. CONTROL PORT OPERATION

The control port is used to load all the internal register settings (see ["Register Description" on page 29](#)). The operation of the control port may be completely asynchronous with the audio sample rate. However, to avoid potential interference problems, the control port pins should remain static if no operation is required.

The control port can operate in I<sup>2</sup>C or SPI mode.

### 6.1 MAP Auto Increment

The device has a MAP (memory address pointer) auto-increment capability enabled by the INCR bit (also the MSB) of the MAP. If INCR is set to 0, MAP will stay constant for consecutive writes or reads. If INCR is set to 1, MAP will auto increment after each byte is read or written, allowing block reads or writes of consecutive registers.

### 6.2 I<sup>2</sup>C Mode

In the I<sup>2</sup>C Mode, data is clocked into and out of the bi-directional serial control data line, SDA, by the serial control port clock, SCL (see [Figure 19](#) for the clock to data relationship). There is no  $\overline{CS}$  pin. AD1 and AD0 enable the user to alter the chip address (10010[AD1][AD0][R/W]) and should be tied to V<sub>LC</sub> or GND as required before powering up the device. SPI Mode will be selected if the device ever detects a high to low transition on the AD0/ $\overline{CS}$  pin after power-up.

#### 6.2.1 I<sup>2</sup>C Write

To write to the device, follow the procedure below while adhering to the control port Switching Specifications in ["Switching Characteristics - Control Port - I<sup>2</sup>C Format" on page 14](#).

1. Initiate a START condition to the I<sup>2</sup>C bus followed by the address byte. The upper 5 bits must be 10010. The sixth and seventh bit must match the settings of the AD1 and AD0 pins respectively, and the eighth must be 0 (the eighth bit of the address byte is the R/W bit).
2. Wait for an acknowledge (ACK) from the part, then write to the memory address pointer, MAP. This byte points to the register to be written.
3. Wait for an acknowledge (ACK) from the part, then write the desired data to the register pointed to by the MAP.
4. If the INCR bit (see [Section 6.1](#)) is set to 1, repeat the previous step until all the desired registers are written, then initiate a STOP condition to the bus.
5. If the INCR bit is set to 0 and further I<sup>2</sup>C writes to other registers are desired, it is necessary to initiate a repeated START condition and follow the procedure detailed from step 1. If no further writes to other registers are desired, initiate a STOP condition to the bus.

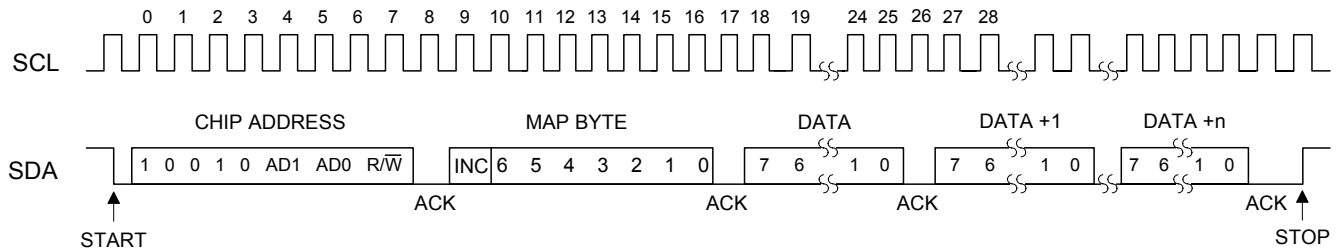
#### 6.2.2 I<sup>2</sup>C Read

To read from the device, follow the procedure below while adhering to the control port switching specifications in ["Switching Characteristics - Control Port - I<sup>2</sup>C Format" on page 14](#).

1. Initiate a START condition to the I<sup>2</sup>C bus followed by the address byte. The upper 5 bits must be 10010. The sixth and seventh bits must match the setting of the AD1 and AD0 pins, respectively, and the eighth must be 1. The eighth bit of the address byte is the R/W bit.
2. After transmitting an acknowledge (ACK), the device will then transmit the contents of the register pointed to by the MAP. The MAP register will contain the address of the last register written to the

MAP or the default address (see [Section 6.4.2](#)) if an I<sup>2</sup>C read is the first operation performed on the device.

3. Once the device has transmitted the contents of the register pointed to by the MAP, issue an ACK.
4. If the INCR bit is set to 1, the device will continue to transmit the contents of successive registers. Continue providing a clock and issue an ACK after each byte until all the desired registers are read; then initiate a STOP condition to the bus.
5. If the INCR bit is set to 0 and further I<sup>2</sup>C reads from other registers are desired, it is necessary to initiate a repeated START condition and follow the procedure detailed from steps 1 and 2 from the I<sup>2</sup>C Write instructions, followed by step 1 of the I<sup>2</sup>C Read section. If no further reads from other registers are desired, initiate a STOP condition to the bus.



**Figure 19. Control Port Timing, I<sup>2</sup>C Mode**

## 6.3 SPI Mode

In SPI Mode, data is clocked into the serial control data line, CDIN, by the serial control port clock, CCLK (see [Figure 20](#) for the clock to data relationship). There are no AD0 or AD1 pins. Pin  $\overline{CS}$  is the chip select signal and is used to control SPI writes to the control port. When the device detects a high-to-low transition on the AD0/ $\overline{CS}$  pin after power-up, SPI Mode will be selected. All signals are inputs and data is clocked in on the rising edge of CCLK.

### 6.3.1 SPI Write

To write to the device, follow the procedure below while adhering to the control port switching specifications in "[Switching Characteristics - Control Port - SPI Format](#)" on page 15.

1. Bring CS low.
2. The address byte on the CDIN pin must then be 10011110 ( $R/\overline{W} = 0$ ).
3. Write to the memory address pointer, MAP. This byte points to the register to be written.
4. Write the desired data to the register pointed to by the MAP.
5. If the INCR bit (see [Section 6.1](#)) is set to 1, repeat the previous step until all the desired registers are written, then bring CS high.
6. If the INCR bit is set to 0 and further SPI writes to other registers are desired, it is necessary to bring  $\overline{CS}$  high, and follow the procedure detailed from step 1. If no further writes to other registers are desired, bring  $\overline{CS}$  high

### 6.3.2 SPI Read

To read from the device, follow the procedure below while adhering to the values specified in "Switching Characteristics - Control Port - SPI Format" on page 15.

1. Bring  $\overline{CS}$  low.
2. The address byte on the CDIN pin must then be 10011111 ( $R/\overline{W} = 1$ ).
3. CDOUT pin will then output the data from the register pointed to by the MAP, which is set during the SPI write operation.
4. If the INCR bit (see Section 6.1) is set to 1, keep  $\overline{CS}$  low and continue providing clocks on CCLK to read from multiple consecutive registers. Bring  $\overline{CS}$  high when reading is complete.
5. If the INCR bit is set to 0 and further SPI reads from other registers are desired, it is necessary to bring  $\overline{CS}$  high, and follow the procedure detailed from step 1. If no further reads from other registers are desired, bring  $\overline{CS}$  high.



MAP = Memory Address Pointer, 8 bits, MSB first

Figure 20. Control Port Timing, SPI Mode

## 6.4 Memory Address Pointer (MAP)

| 7    | 6        | 5        | 4        | 3    | 2    | 1    | 0    |
|------|----------|----------|----------|------|------|------|------|
| INCR | Reserved | Reserved | Reserved | MAP3 | MAP2 | MAP1 | MAP0 |
| 0    | 0        | 0        | 0        | 0    | 0    | 0    | 0    |

### 6.4.1 INCR (Auto Map Increment Enable)

Default = '0'  
 0 - Disabled  
 1 - Enabled

### 6.4.2 MAP (Memory Address Pointer)

Default = '0000'

## 7. REGISTER QUICK REFERENCE

| Addr | Function   | 7              | 6              | 5                 | 4              | 3                   | 2                   | 1                  | 0                  |
|------|--|----------------|----------------|-------------------|----------------|---------------------|---------------------|--------------------|--------------------|
| 1h   | Device and RevID<br>default                            | DeviceID4<br>1 | DeviceID3<br>1 | DeviceID2<br>1    | DeviceID1<br>1 | DeviceID0<br>-      | RevID2<br>-         | RevID1<br>-        | RevID0<br>-        |
| 2h   | Mode Control<br>default                                | Reserved<br>0  | DIF2<br>0      | DIF1<br>0         | DIF0<br>0      | DEM1<br>0           | DEM0<br>0           | FM1<br>0           | FM0<br>0           |
| 3h   | Volume, Mixing,<br>and Inversion<br>Control<br>default | VOLB=A<br>0    | INVERTA<br>0   | INVERTB<br>0      | Reserved<br>0  | ATAPI3<br>1         | ATAPI2<br>0         | ATAPI1<br>0        | ATAPI0<br>1        |
| 4h   | Mute Control<br>default                                | AMUTE<br>1     | Reserved<br>0  | MUTEC<br>A=B<br>0 | MUTE_A<br>0    | MUTE_B<br>0         | Reserved<br>0       | Reserved<br>0      | Reserved<br>1      |
| 5h   | Channel A Volume<br>Control<br>default                 | VOL7<br>0      | VOL6<br>0      | VOL5<br>0         | VOL4<br>0      | VOL3<br>0           | VOL2<br>0           | VOL1<br>0          | VOL0<br>0          |
| 6h   | Channel B Volume<br>Control<br>default                 | VOL7<br>0      | VOL6<br>0      | VOL5<br>0         | VOL4<br>0      | VOL3<br>0           | VOL2<br>0           | VOL1<br>0          | VOL0<br>0          |
| 7h   | Ramp and Filter<br>Control<br>default                  | SZC1<br>1      | SZC0<br>0      | RMP_UP<br>1       | RMP_DN<br>1    | Reserved<br>0       | FILT_SEL<br>0       | Reserved<br>0      | Reserved<br>1      |
| 8h   | Misc. Control<br>default                               | PDN<br>0       | Reserved<br>0  | FREEZE<br>0       | POPG_EN<br>1   | RMCK_<br>CTRL1<br>0 | RMCK_<br>CTRL0<br>0 | R_<br>SELECT1<br>0 | R_<br>SELECT0<br>0 |

## 8. REGISTER DESCRIPTION

Note: All register access is Read/Write unless specified otherwise

### 8.1 Device and Revision ID - Register 01h

| 7       | 6       | 5       | 4       | 3       | 2    | 1    | 0    |
|---------|---------|---------|---------|---------|------|------|------|
| Device4 | Device3 | Device2 | Device1 | Device0 | Rev2 | Rev1 | Rev0 |
| 1       | 1       | 1       | 1       | -       | -    | -    | -    |

Function:

This register is Read-Only. It is decoded as follows:

| Rev | Register 01h contents |
|-----|-----------------------|
| A   | 1111,0000             |
| B   | 1111,0001             |
| C2  | 1111,1111             |

### 8.2 Mode Control - Register 02h

| 7        | 6    | 5    | 4    | 3    | 2    | 1   | 0   |
|----------|------|------|------|------|------|-----|-----|
| Reserved | DIF2 | DIF1 | DIF0 | DEM1 | DEM0 | FM1 | FM0 |
| 0        | 0    | 0    | 0    | 0    | 0    | 0   | 0   |

#### 8.2.1 Digital Interface Format (DIF[2:0]) Bits 6-4

Function:

These bits select the interface format for the serial audio input.

The required relationship between the Left/Right clock, serial clock and serial data is defined by the Digital Interface Format and the options are detailed in [Figures 11-13](#).

| DIF2 | DIF1 | DIF0 | Description                         | Format      | Figure             |
|------|------|------|-------------------------------------|-------------|--------------------|
| 0    | 0    | 0    | Left-Justified, up to 24-bit data   | 0 (Default) | <a href="#">11</a> |
| 0    | 0    | 1    | I <sup>2</sup> S, up to 24-bit data | 1           | <a href="#">12</a> |
| 0    | 1    | 0    | Right-Justified, 16-bit data        | 2           | <a href="#">13</a> |
| 0    | 1    | 1    | Right-Justified, 24-bit data        | 3           | <a href="#">13</a> |
| 1    | 0    | 0    | TDM slot 0                          | 4           | <a href="#">15</a> |
| 1    | 0    | 1    | TDM slot 1                          | 5           | <a href="#">15</a> |
| 1    | 1    | 0    | TDM slot 2                          | 6           | <a href="#">15</a> |
| 1    | 1    | 1    | TDM slot 3                          | 7           | <a href="#">15</a> |

Table 3. Digital Interface Formats

### 8.2.2 De-Emphasis Control (DEM[1:0]) Bits 3-2

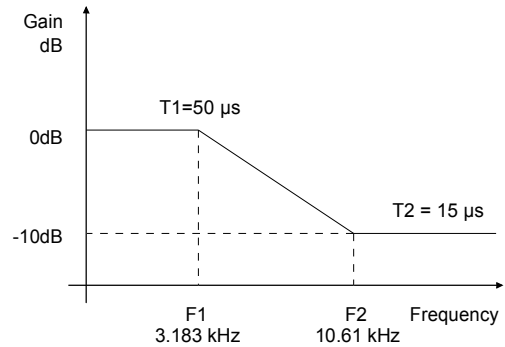
Default = 0

- 00 - No De-emphasis
- 01 - 44.1 kHz De-emphasis
- 10 - 48 kHz De-emphasis
- 11 - 32 kHz De-emphasis

Function:

Selects the appropriate digital filter to maintain the standard 15  $\mu$ s/50  $\mu$ s digital de-emphasis filter response at 32, 44.1 or 48 kHz sample rates. (See [Figure 21](#))

**Note:** De-emphasis is only available in Single-Speed Mode



**Figure 21. De-Emphasis Curve**

### 8.2.3 Functional Mode (FM[1:0]) Bits 1-0

Default = 00

- 00 - Auto speed mode detect
- 01 - Single-Speed Mode (30 to 54 kHz sample rates)
- 10 - Double-Speed Mode (50 to 108 kHz sample rates)
- 11 - Quad-Speed Mode (100 to 216 kHz sample rates)

Function:

Selects the required range of input sample rates or auto speed mode.

## 8.3 Volume Mixing and Inversion Control - Register 03h

| 7      | 6        | 5        | 4        | 3      | 2      | 1      | 0      |
|--------|----------|----------|----------|--------|--------|--------|--------|
| VOLB=A | INVERT_A | INVERT_B | Reserved | ATAPI3 | ATAPI2 | ATAPI1 | ATAPI0 |
| 0      | 0        | 0        | 0        | 1      | 0      | 0      | 1      |

### 8.3.1 Channel A Volume = Channel B Volume (VOLB=A) Bit 7

Function:

When set to 0 (default), the AOUTA and AOUTB volume levels are independently controlled by the A and the B Channel Volume Control Bytes.

When set to 1, the volume on both AOUTA and AOUTB are determined by the A Channel Attenuation and Volume Control Bytes, and the B Channel Bytes are ignored.

### 8.3.2 Invert Signal Polarity (INVERT\_A) Bit 6

Function:

When set to 1, this bit inverts the signal polarity of channel A.

When set to 0 (default), this function is disabled.

This function is only available for Left Justified, Right Justified 16, and Right Justified 24 data formats.

### 8.3.3 Invert Signal Polarity (INVERT\_B) Bit 5

Function:

When set to 1, this bit inverts the signal polarity of channel B.

When set to 0 (default), this function is disabled.

This function is only available for Left Justified, Right Justified 16, and Right Justified 24 data formats.

### 8.3.4 ATAPI Channel Mixing and Muting (ATAPI[3:0]) Bits 3-0

Default = 1001 - AOUTA=aL, AOUTB=bR (Stereo)

Function:

The CS4350 implements the channel mixing functions of the ATAPI CD-ROM specification. Refer to [Table 4](#) and [Figure 22](#) for additional information.



**Figure 22. ATAPI Block Diagram**

| ATAPI_A1 | ATAPI_A0 | ATAPI_B1 | ATAPI_B0 | AOUTA | AOUTB        |
|----------|----------|----------|----------|-------|--------------|
| 0        | 0        | 0        | 0        | MUTE  | MUTE         |
| 0        | 0        | 0        | 1        | MUTE  | bR           |
| 0        | 0        | 1        | 0        | MUTE  | bL           |
| 0        | 0        | 1        | 1        | MUTE  | $b[(L+R)/2]$ |
| 0        | 1        | 0        | 0        | aR    | MUTE         |
| 0        | 1        | 0        | 1        | aR    | bR           |
| 0        | 1        | 1        | 0        | aR    | bL           |
| 0        | 1        | 1        | 1        | aR    | $b[(L+R)/2]$ |

**Table 4. ATAPI Decode**

| ATAPI_A1 | ATAPI_A0 | ATAPI_B1 | ATAPI_B0 | AOUTA      | AOUTB      |
|----------|----------|----------|----------|------------|------------|
| 1        | 0        | 0        | 0        | aL         | MUTE       |
| 1        | 0        | 0        | 1        | aL         | bR         |
| 1        | 0        | 1        | 0        | aL         | bL         |
| 1        | 0        | 1        | 1        | aL         | b[(L+R)/2] |
| 1        | 1        | 0        | 0        | a[(L+R)/2] | MUTE       |
| 1        | 1        | 0        | 1        | a[(L+R)/2] | bR         |
| 1        | 1        | 1        | 0        | a[(L+R)/2] | bL         |
| 1        | 1        | 1        | 1        | a[(L+R)/2] | b[(L+R)/2] |

**Table 4. ATAPI Decode**

## 8.4 Mute Control - Register 04h

| 7     | 6        | 5                      | 4      | 3      | 2        | 1        | 0        |
|-------|----------|------------------------|--------|--------|----------|----------|----------|
| AMUTE | Reserved | MUTE <sub>EC</sub> A=B | MUTE_A | MUTE_B | Reserved | Reserved | Reserved |
| 1     | 0        | 0                      | 0      | 0      | 0        | 0        | 0        |

### 8.4.1 Auto-Mute (AMUTE) Bit 7

Function:

When set to 1 (default), the Digital-to-Analog converter output will mute following the reception of 8192 consecutive audio samples of static 0 or -1. A single sample of non-static data will release the mute. Detection and muting is done independently for each channel. The quiescent voltage on the output will be retained and the Mute Control pin will go active during the mute period.

When set to 0, this function is disabled

### 8.4.2 AMUTE<sub>EC</sub> = BMUTE<sub>EC</sub> (MUTE<sub>EC</sub> A=B) Bit 5

Function:

When set to 0 (default), the  $\overline{\text{AMUTE}}_{\text{EC}}$  and  $\overline{\text{BMUTE}}_{\text{EC}}$  pins operate independently.

When set to 1, the individual controls for  $\overline{\text{AMUTE}}_{\text{EC}}$  and  $\overline{\text{BMUTE}}_{\text{EC}}$  are internally connected through an AND gate prior to the output pins. Therefore, the external  $\overline{\text{AMUTE}}_{\text{EC}}$  and  $\overline{\text{BMUTE}}_{\text{EC}}$  pins go active only when the requirements for both  $\overline{\text{AMUTE}}_{\text{EC}}$  and  $\overline{\text{BMUTE}}_{\text{EC}}$  are valid.

### 8.4.3 Channel A Mute (MUTE\_A) Bit 4 & Channel B Mute (MUTE\_B) Bit 3

Function:

When set to 1, the Digital-to-Analog converter output will mute. The quiescent voltage on the output will be retained. The muting function is effected, similar to attenuation changes, by the Soft and Zero Cross bits in the Volume and Mixing Control register. The corresponding MUTE<sub>EC</sub> pin will go active following any ramping due to the soft and zero cross function.

When set to 0 (default), this function is disabled.



## 8.5 Channel A & B Volume Control - Register 05h & 06h

| 7    | 6    | 5    | 4    | 3    | 2    | 1    | 0    |
|------|------|------|------|------|------|------|------|
| VOL7 | VOL6 | VOL5 | VOL4 | VOL3 | VOL2 | VOL1 | VOL0 |
| 0    | 0    | 0    | 0    | 0    | 0    | 0    | 0    |

Digital Volume Control (VOL[7:0]) Bits 7-0

Default = 00h (0 dB)

Function:

The Digital Volume Control registers allow independent control of the signal levels in 1/2 dB increments from 0 to -127.5 dB. Volume settings are decoded as shown in Table 5. The volume changes are implemented as dictated by the Soft and Zero Cross bits in the Power and Muting Control register. The actual attenuation is determined by taking the decimal value of the volume register and multiplying by 6.02/12.

| Binary Code | Decimal Value | Volume Setting |
|-------------|---------------|----------------|
| 00000000    | 0             | 0 dB           |
| 00000001    | 1             | -0.5 dB        |
| 00000110    | 6             | -3.0 dB        |
| 11111111    | 255           | -127.5 dB      |

Table 5. Example Digital Volume Settings

## 8.6 Ramp and Filter Control - Register 07h

| 7    | 6    | 5      | 4      | 3        | 2        | 1        | 0        |
|------|------|--------|--------|----------|----------|----------|----------|
| SZC1 | SZC0 | RMP_UP | RMP_DN | Reserved | FILT_SEL | Reserved | Reserved |
| 1    | 0    | 1      | 1      | 0        | 0        | 0        | 1        |

### 8.6.1 Soft Ramp and Zero Cross Control (SZC[1:0]) Bits 7-6

Default = 10

| SZC1 | SZC0 | Description                 |
|------|------|-----------------------------|
| 0    | 0    | Immediate Change            |
| 0    | 1    | Zero Cross                  |
| 1    | 0    | Soft Ramp                   |
| 1    | 1    | Soft Ramp on Zero Crossings |

Function:

#### Immediate Change

When Immediate Change is selected all level changes will take effect immediately in one step.

#### Zero Cross

Zero Cross Enable dictates that signal level changes, either by attenuation changes or muting, will occur on a signal zero crossing to minimize audible artifacts. The requested level change will occur after a time-out period between 512 and 1024 sample periods (10.7 ms to 21.3 ms at 48 kHz sample rate) if the signal does not encounter a zero crossing. The zero cross function is independently monitored and implemented for each channel.

#### Soft Ramp PCM

Soft Ramp allows level changes, both muting and attenuation, to be implemented by incrementally ramping, in 1/8 dB steps, from the current level to the new level at a rate of 1 dB per 8 left/right clock periods.

### Soft Ramp and Zero Cross

Soft Ramp and Zero Cross Enable dictate that signal level changes, either by attenuation changes or muting, will occur in 1/8 dB steps and be implemented on a signal zero crossing. The 1/8 dB level change will occur after a time-out period between 512 and 1024 sample periods (10.7 ms to 21.3 ms at 48 kHz sample rate) if the signal does not encounter a zero crossing. The zero cross function is independently monitored and implemented for each channel.

#### 8.6.2 Soft Volume Ramp-Up after Error (RMP\_UP) Bit 5

Function:

When set to 1 (default), an un-mute will be performed after executing a filter mode change, after LRCK is lost, and after changing the Functional Mode. This un-mute is affected, similar to attenuation changes, by the Soft and Zero Cross bits in the Volume and Mixing Control register.

When set to 0, an immediate un-mute is performed in these instances.

**Note:** For best results, it is recommended that this feature be used in conjunction with the RMP\_DN bit.

#### 8.6.3 Soft Ramp-Down before Filter Mode Change (RMP\_DN) Bit 4

Function:

When set to 1 (default), a mute will be performed prior to executing a filter mode change. This mute is affected, similar to attenuation changes, by the Soft and Zero Cross bits in the Volume and Mixing Control register.

When set to 0, an immediate mute is performed prior to executing a filter mode change.

**Note:** For best results, it is recommended that this feature be used in conjunction with the RMP\_UP bit.

#### 8.6.4 Interpolation Filter Select (FILT\_SEL) Bit 2

Function:

When set to 0 (default), the Interpolation Filter has a fast roll off.

When set to 1, the Interpolation Filter has a slow roll off.

The specifications for each filter can be found in the ["Combined Interpolation & On-Chip Analog Filter Response"](#) on page 12, and response plots can be found in [Figures 25](#) through [30](#).

### 8.7 Misc. Control - Register 08h

| 7   | 6        | 5      | 4       | 3          | 2          | 1         | 0         |
|-----|----------|--------|---------|------------|------------|-----------|-----------|
| PDN | Reserved | FREEZE | POPG_EN | RMCK_CTRL1 | RMCK_CTRL0 | R_SELECT1 | R_SELECT0 |
| 0   | 0        | 0      | 1       | 0          | 0          | 0         | 0         |

#### 8.7.1 Power Down (PDN) Bit 7

Function:

When set to 1 the entire device will enter a low-power state and the contents of the control registers will be retained. The power-down bit defaults to '0' on power-up.

### 8.7.2 Freeze Controls (FREEZE) Bit 5

Function:

When set to 1, this function allows modifications to be made to the registers without the changes taking effect until FREEZE is set back to 0. To make multiple changes in the Control Port registers take effect simultaneously, enable the FREEZE bit, make all register changes, then disable the FREEZE bit.

When set to 0 (default), register changes take effect immediately.

### 8.7.3 Popguard Enable (POPG\_EN) Bit 4

Function:

When set to 1, (default) the Device will initiate a ramping function as outlined in [Section 4.7 on page 22](#). When set to 0, the outputs will step to VQ upon release of PDN.

### 8.7.4 RMCK control (RMCK\_CTRL[1:0]) Bits 3:2

Default = 00

| RMCK_CTRL1 | RMCK_CTRL0 | Mode   |
|------------|------------|--|
| 0          | 0          | 256x LRCK for 48 kHz and 96 kHz, 128x @ 192kHz |
| 0          | 1          | 512x @ 48kHz, 256x @ 96 kHz, 128x @ 192kHz     |
| 1          | 0          | Manual control (see RMCK Ratio Select)         |
| 1          | 1          | RMCK pin driven low                            |

Function: These bits set the function of the RMCK pin with respect to the LRCK.

### 8.7.5 RMCK Ratio Select (R\_SELECT[1:0]) Bits 2:1

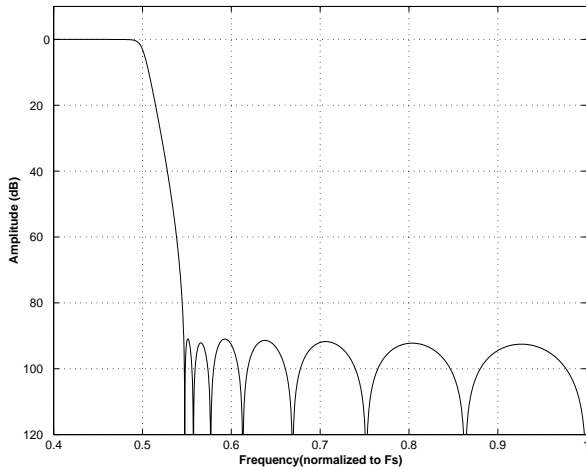
Default = 00

Function: To select the RMCK-to-LRCK ratio.

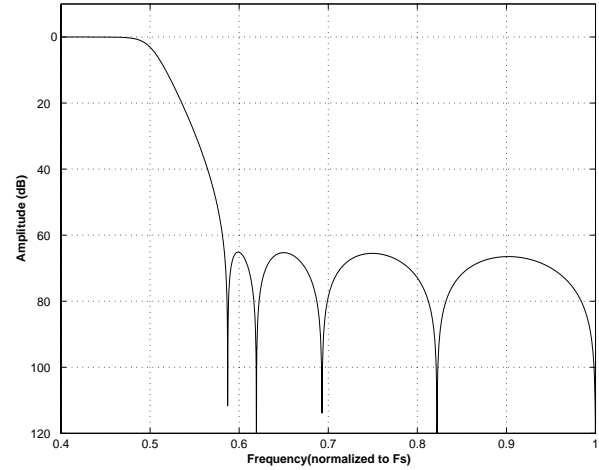
| R_SELECT1 | R_SELECT0 | RMCK/LRCK Ratio |
|-----------|-----------|-----------------|
| 0         | 0         | 512             |
| 0         | 1         | 256             |
| 1         | 0         | 128             |
| 1         | 1         | 64              |

**Note:** RMCK\_CTRL must be set to 10 to enable this function. Please note the maximum RMCK output frequency as specified in the ["Switching Specifications - Serial Audio Interface" on page 13](#).

## 9. FILTER PLOTS



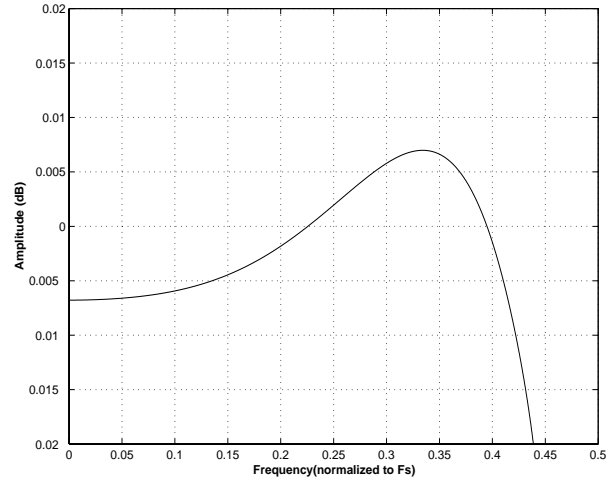
**Figure 23. Stopband Rejection (fast), all Modes**



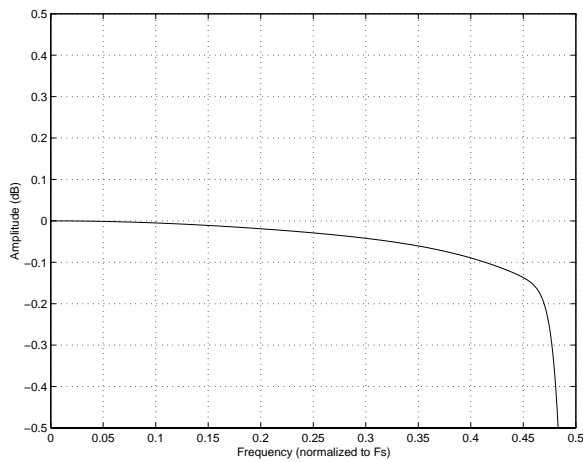
**Figure 24. Stopband Rejection (slow), all Modes**



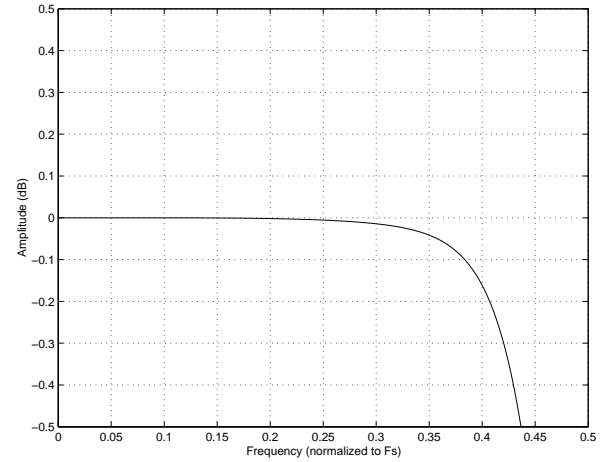
**Figure 25. Single-Speed (fast) Passband Detail**



**Figure 26. Single-Speed (slow) Passband Detail**



**Figure 27. Double-Speed (fast) Passband Detail**



**Figure 28. Double-Speed (slow) Passband Detail**



Figure 29. Quad-Speed (fast) Passband Detail



Figure 30. Quad-Speed (slow) Passband Detail

## **10.PARAMETER DEFINITIONS**

### **Total Harmonic Distortion + Noise (THD+N)**

The ratio of the rms value of the signal to the rms sum of all other spectral components over the specified bandwidth (typically 10 Hz to 20 kHz), including distortion components. Expressed in decibels.

### **Dynamic Range**

The ratio of the full-scale rms value of the signal to the rms sum of all other spectral components over the specified bandwidth. Dynamic range is a signal-to-noise measurement over the specified bandwidth made with a -60 dBFS signal. Then, 60 dB is added to the resulting measurement to refer the measurement to full scale. This technique ensures that the distortion components are below the noise level and do not effect the measurement. This measurement technique has been accepted by the Audio Engineering Society, AES17-1991, and the Electronic Industries Association of Japan, EIAJ CP-307.

### **Interchannel Isolation**

A measure of crosstalk between the left and right channels. Measured for each channel at the converter's output with all zeros to the input under test and a full-scale signal applied to the other channel. Units in decibels.

### **Interchannel Gain Mismatch**

The gain difference between left and right channels. Units in decibels.

### **Gain Drift**

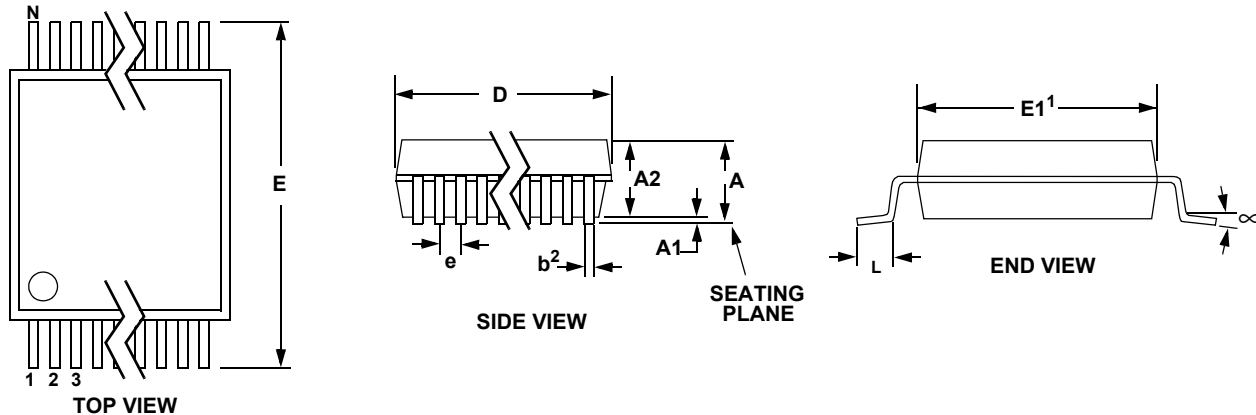
The change in gain value with temperature. Units in ppm/°C.

### **Intra-Channel Phase Deviation**

The deviation from linear phase within a given channel.

### **Inter-Channel Phase Deviation**

The difference in phase between channels.

**11.PACKAGE DIMENSIONS**
**24L TSSOP (4.4 mm BODY) PACKAGE DRAWING**


| DIM | INCHES  |           |       | MILLIMETERS |          |      | NOTE |
|-----|---------|-----------|-------|-------------|----------|------|------|
|     | MIN     | NOM       | MAX   | MIN         | NOM      | MAX  |      |
| A   | --      | --        | 0.043 | --          | --       | 1.10 |      |
| A1  | 0.002   | 0.004     | 0.006 | 0.05        | --       | 0.15 |      |
| A2  | 0.03346 | 0.0354    | 0.037 | 0.85        | 0.90     | 0.95 |      |
| b   | 0.00748 | 0.0096    | 0.012 | 0.19        | 0.245    | 0.30 | 2,3  |
| D   | 0.303   | 0.307     | 0.311 | 7.70        | 7.80     | 7.90 | 1    |
| E   | 0.248   | 0.2519    | 0.256 | 6.30        | 6.40     | 6.50 |      |
| E1  | 0.169   | 0.1732    | 0.177 | 4.30        | 4.40     | 4.50 | 1    |
| e   | --      | 0.026 BSC | --    | --          | 0.65 BSC | --   |      |
| L   | 0.020   | 0.024     | 0.028 | 0.50        | 0.60     | 0.70 |      |
| μ   | 0°      | 4°        | 8°    | 0°          | 4°       | 8°   |      |

**JEDEC #: MO-153**

Controlling Dimension is Millimeters.

1. D" and "E1" are reference datums and do not include mold flash or protrusions, but do include mold mismatch and are measured at the parting line, mold flash or protrusions shall not exceed 0.20 mm per side.
2. Dimension "b" does not include dambar protrusion/intrusion. Allowable dambar protrusion shall be 0.13 mm total in excess of "b" dimension at maximum material condition. Dambar intrusion shall not reduce dimension "b" by more than 0.07 mm at least material condition.
3. These dimensions apply to the flat section of the lead between 0.10 and 0.25 mm from lead tips.

**THERMAL CHARACTERISTICS**

| Parameters                 |                                     | Symbol        | Min | Typ       | Max | Units   |
|----------------------------|-------------------------------------|---------------|-----|-----------|-----|---------|
| Package Thermal Resistance | Single-Layer PCB<br>Multi-Layer PCB | $\theta_{JA}$ | -   | 70<br>105 | -   | °C/Watt |

## 12. ORDERING INFORMATION

| Product | Description                            | Package  | Pb-Free | Grade      | Temp Range     | Container     | Order#      |
|---------|--|----------|---------|------------|----------------|---------------|-------------|
| CS4350  | 192 kHz Stereo DAC with Integrated PLL | 24-TSSOP | YES     | Commercial | -40° to +85°C  | Rail          | CS4350-CZZ  |
|         |  |          |         |            |                | Tape and Reel | CS4350-CZZR |
|         |  |          |         | Automotive | -40° to +105°C | Rail          | CS4350-DZZ  |
|         |  |          |         |            |                | Tape and Reel | CS4350-DZZR |
| CDB4350 | Evaluation Board for CS4350            | -        | -       | -          | -              | -             | CDB4350     |

## 13. REVISION HISTORY

| Release | Changes  |
|---------|--|
| A2      | <ul style="list-style-type: none"> <li>-Changed description of TSTO pin in <a href="#">“Pin Description”</a> on page 6 and <a href="#">“Typical Connection Diagram”</a> on page 17.</li> <li>-Corrected Full-Scale Voltage in <a href="#">“RL and CL represent the minimum resistance and maximum capacitance required for the CS4350’s internal op-amp to remain stable. See Figure 1 and Figure 2 for more details.”</a> on page 9.</li> <li>-Changed base address in <a href="#">“I<sup>2</sup>C Mode”</a> on page 25 and <a href="#">“SPI Mode”</a> on page 26.</li> </ul> |
| A3      | <ul style="list-style-type: none"> <li>-Corrected typographical error in chip address shown in <a href="#">Section 6.2</a> on page 25.</li> <li>-Corrected typographical error in value stated for the upper five bits in <a href="#">Section 6.2.1</a> on page 25.</li> </ul>   |
| PP1     | <ul style="list-style-type: none"> <li>-Updated <a href="#">“DAC Analog Characteristics - Commercial (-CZZ)”</a> on page 9.</li> <li>-Added <a href="#">“DAC Analog Characteristics - Automotive (-DZZ)”</a> on page 10.</li> <li>-Updated <a href="#">“Switching Specifications - Serial Audio Interface”</a> on page 13.</li> <li>-Updated <a href="#">“Power and Thermal Characteristics”</a> on page 16.</li> </ul>  |
| F1      | <ul style="list-style-type: none"> <li>-Updated <a href="#">“DAC Analog Characteristics - Commercial (-CZZ)”</a> on page 9.</li> <li>-Updated <a href="#">“DAC Analog Characteristics - Automotive (-DZZ)”</a> on page 10.</li> <li>-Added <a href="#">Figure 3</a>, <a href="#">Figure 4</a>, and <a href="#">Figure 5</a> on page 11.</li> <li>-Updated <a href="#">“Switching Specifications - Serial Audio Interface”</a> on page 13.</li> <li>-Updated <a href="#">“Digital Characteristics”</a> on page 16.</li> </ul>   |



---

## Contacting Cirrus Logic Support

For all product questions and inquiries, contact a Cirrus Logic Sales Representative.

To find the one nearest you, go to [www.cirrus.com](http://www.cirrus.com).

---

### IMPORTANT NOTICE

Cirrus Logic, Inc. and its subsidiaries ("Cirrus") believe that the information contained in this document is accurate and reliable. However, the information is subject to change without notice and is provided "AS IS" without warranty of any kind (express or implied). Customers are advised to obtain the latest version of relevant information to verify, before placing orders, that information being relied on is current and complete. All products are sold subject to the terms and conditions of sale supplied at the time of order acknowledgment, including those pertaining to warranty, indemnification, and limitation of liability. No responsibility is assumed by Cirrus for the use of this information, including use of this information as the basis for manufacture or sale of any items, or for infringement of patents or other rights of third parties. This document is the property of Cirrus and by furnishing this information, Cirrus grants no license, express or implied under any patents, mask work rights, copyrights, trademarks, trade secrets or other intellectual property rights. Cirrus owns the copyrights associated with the information contained herein and gives consent for copies to be made of the information only for use within your organization with respect to Cirrus integrated circuits or other products of Cirrus. This consent does not extend to other copying such as copying for general distribution, advertising or promotional purposes, or for creating any work for resale.

CERTAIN APPLICATIONS USING SEMICONDUCTOR PRODUCTS MAY INVOLVE POTENTIAL RISKS OF DEATH, PERSONAL INJURY, OR SEVERE PROPERTY OR ENVIRONMENTAL DAMAGE ("CRITICAL APPLICATIONS"). CIRRUS PRODUCTS ARE NOT DESIGNED, AUTHORIZED OR WARRANTED FOR USE IN AIRCRAFT SYSTEMS, MILITARY APPLICATIONS, PRODUCTS SURGICALLY IMPLANTED INTO THE BODY, AUTOMOTIVE SAFETY OR SECURITY DEVICES, LIFE SUPPORT PRODUCTS OR OTHER CRITICAL APPLICATIONS. INCLUSION OF CIRRUS PRODUCTS IN SUCH APPLICATIONS IS UNDERSTOOD TO BE FULLY AT THE CUSTOMER'S RISK AND CIRRUS DISCLAIMS AND MAKES NO WARRANTY, EXPRESS, STATUTORY OR IMPLIED, INCLUDING THE IMPLIED WARRANTIES OF MERCHANTABILITY AND FITNESS FOR PARTICULAR PURPOSE, WITH REGARD TO ANY CIRRUS PRODUCT THAT IS USED IN SUCH A MANNER. IF THE CUSTOMER OR CUSTOMER'S CUSTOMER USES OR PERMITS THE USE OF CIRRUS PRODUCTS IN CRITICAL APPLICATIONS, CUSTOMER AGREES, BY SUCH USE, TO FULLY INDEMNIFY CIRRUS, ITS OFFICERS, DIRECTORS, EMPLOYEES, DISTRIBUTORS AND OTHER AGENTS FROM ANY AND ALL LIABILITY, INCLUDING ATTORNEYS' FEES AND COSTS, THAT MAY RESULT FROM OR ARISE IN CONNECTION WITH THESE USES.

Cirrus Logic, Cirrus, the Cirrus Logic logo designs, and Popguard are trademarks of Cirrus Logic, Inc. All other brand and product names in this document may be trademarks or service marks of their respective owners.

I<sup>2</sup>C is a registered trademark of Philips Semiconductor

SPI is a trademark of Motorola, Inc.