



SANYO Semiconductors

DATA SHEET

LA74302FN — Monolithic Linear IC Audio Interface for DSC

Overview

The LA74302FN is a SPEAKER AMP and MIC AMP built-in audio interface for DSC.

Functions

- Three-wire type SERIAL communications, MIC AMP
- MIC power supply provided
- ALC (ALC LEVEL: level changeover in three stages possible)
- REC/PB LPF (fc=4kHz: 3rd order)
- LINE output (with SERIAL MUTE)
- SPEAKER AMP (compatible with BEEP input MIX)
- With serial communications control electronic VOLUME

Specifications

Maximum Ratings at Ta=25°C

Parameter	Symbol	Conditions	Ratings	Unit
Maximum supply voltage	V _{CC} max		5.0	V
Allowable power dissipation	P _d max	Ta≤85°C *	500	mW
Operating temperature	T _{opr}		-15 to +85	°C
Storage temperature	T _{stg}		-55 to +150	°C

* Substrate mounting condition (30mm × 50mm × 0.8mm: glass epoxy) 2S2P

■ Any and all SANYO Semiconductor Co.,Ltd. products described or contained herein are, with regard to "standard application", intended for the use as general electronics equipment (home appliances, AV equipment, communication device, office equipment, industrial equipment etc.). The products mentioned herein shall not be intended for use for any "special application" (medical equipment whose purpose is to sustain life, aerospace instrument, nuclear control device, burning appliances, transportation machine, traffic signal system, safety equipment etc.) that shall require extremely high level of reliability and can directly threaten human lives in case of failure or malfunction of the product or may cause harm to human bodies, nor shall they grant any guarantee thereof. If you should intend to use our products for applications outside the standard applications of our customer who is considering such use and/or outside the scope of our intended standard applications, please consult with us prior to the intended use. If there is no consultation or inquiry before the intended use, our customer shall be solely responsible for the use.

■ Specifications of any and all SANYO Semiconductor Co.,Ltd. products described or contained herein stipulate the performance, characteristics, and functions of the described products in the independent state, and are not guarantees of the performance, characteristics, and functions of the described products as mounted in the customer's products or equipment. To verify symptoms and states that cannot be evaluated in an independent device, the customer should always evaluate and test devices mounted in the customer's products or equipment.

SANYO Semiconductor Co., Ltd.

TOKYO OFFICE Tokyo Bldg., 1-10, 1 Chome, Ueno, Taito-ku, TOKYO, 110-8534 JAPAN

LA74302FN

Operating Conditions at $T_a=25^{\circ}\text{C}$

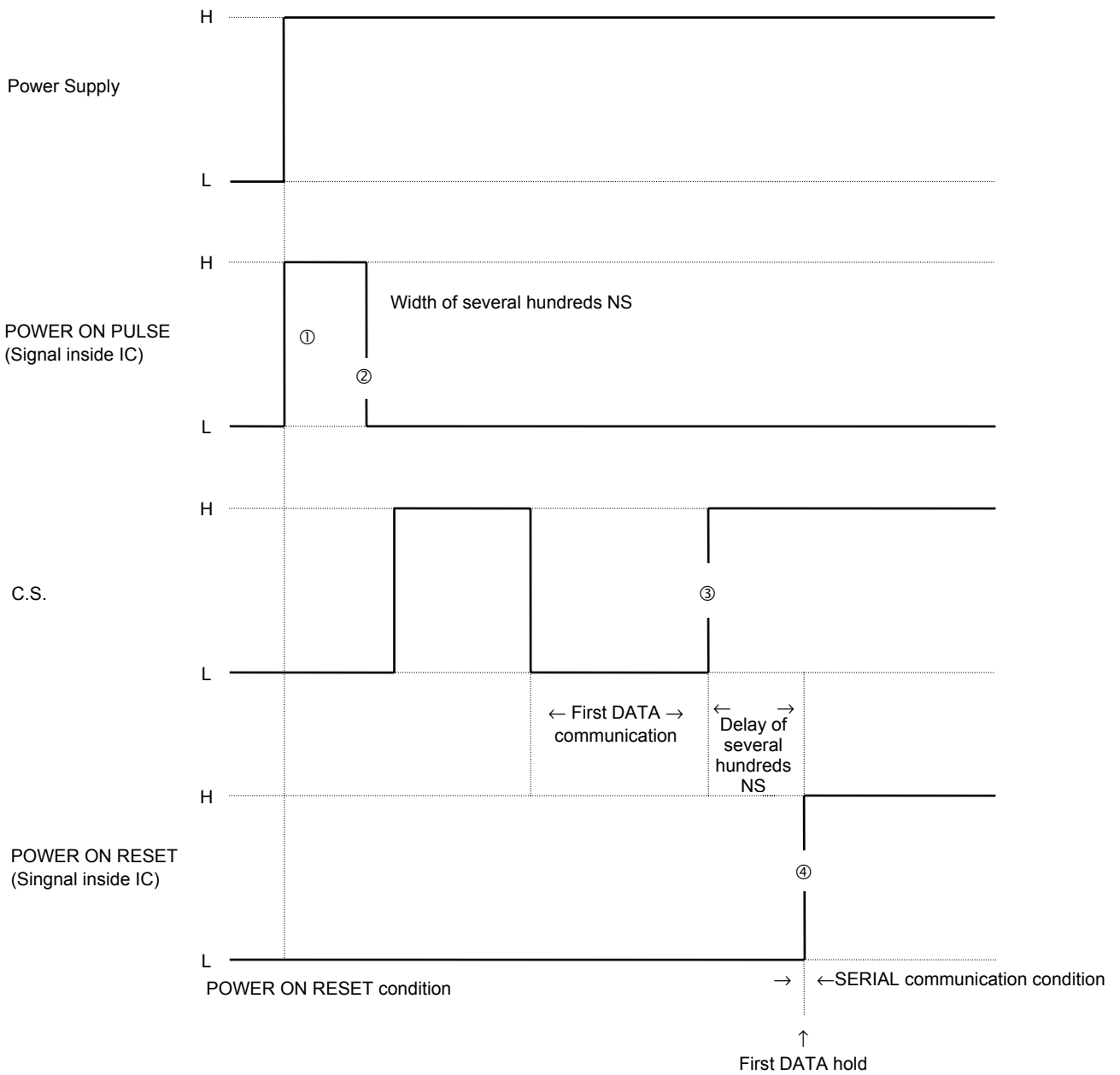
Parameter	Symbol	Conditions	Ratings	Unit
Recommended supply voltage	V_{CCL}		3.0	V
	V_{CCD}		3.0	V
	V_{CCSP}		3.0	V
Allowable operating voltage range	V_{CCL}		2.7 to 3.6	V
	V_{CCD}		2.7 to 3.6	V
	V_{CCSP}	Take care not to exceed Pd max.	2.7 to 3.6	V

Electrical Characteristics at $T_a=25^{\circ}\text{C}$, $V_{CCL, D, SP}=3.0\text{V}$, $f=1\text{kHz}$

Parameter	Symbol	Conditions	Ratings			Unit
			min	typ	max	
Circuit current						
Quiescent circuit current 1	I_{CCA1}	$V_{CCA}=3.0\text{V}$: FULL operation	5.2	7.0	8.8	mA
Quiescent circuit current 2	I_{CCA2}	$V_{CCA}=3.0\text{V}$: REC BLOCK (MIC/ALC/REC AMP) POWER SAVE	2.4	3.2	4	mA
Quiescent circuit current 3	I_{CCA3}	$V_{CCA}=3.0\text{V}$: LINE AMP POWER SAVE	4.8	6.4	8.0	mA
Quiescent circuit current 4	I_{CCD1}	$V_{CCD}=3.0\text{V}$	2.1	2.8	3.5	mA
Quiescent circuit current 5	I_{CCSP1}	$V_{CCSP}=3.0\text{V}$: SPK POWER ON	1.2	2.5	5	mA
Quiescent circuit current 6	I_{CCSP2}	$V_{CCSP}=3.0\text{V}$: SPK POWER SAVE	0.3	0.6	0.9	mA
REC output system						
REC reference output LEVEL	VOR	ALC IN, $V_{IN}=-44\text{dBV}$	-15	-14	-13	dBV
REC reference output distortion rate 1	HDR1	ALC IN, $V_{IN}=-44\text{dBV}$, THD: from 2nd to 5th harmonic		0.03	0.1	%
ALC characteristics 1	ALM1	ALC IN, $V_{IN}=-28\text{dBV}$ (reference+16dB), ALC LEVEL: reference +10dB	-7	-4	-1	dBV
ALC distortion rate 1	ALMD1	ALC IN, $V_{IN}=-28\text{dBV}$ (reference +16dB), ALC LEVEL: reference +10dB		0.3	0.5	%
ALC characteristics 2	ALM2	ALC IN, $V_{IN}=-12\text{dBV}$ (reference +32dB), ALC LEVEL: reference +10dB	-7	-4	-1	dBV
ALC distortion rate 2	ALMD2	ALC IN, $V_{IN}=-12\text{dBV}$ (reference +32dB), ALC LEVEL: reference +10dB, THD: from 2nd to 5th harmonic		0.4	1	%
REC output noise voltage	VNOR	ALC IN no input, JIS-A Filter		-82	-68	dBV
REC output frequency characteristics 1	FEQR1	ALC IN, $V_{IN}=-36\text{dBV}$, Comparison of $f=4\text{kHz}/1\text{kHz}$	-4.5	-3	-1.5	dBV
REC output frequency characteristics 2	FEQR2	ALC IN, $V_{IN}=-36\text{dBV}$, Comparison of $f=22\text{kHz}/1\text{kHz}$		-31	-25	dB
REC output frequency characteristics 3	FEQR3	ALC IN, $V_{IN}=-36\text{dBV}$, Comparison of $f=100\text{kHz}/1\text{kHz}$		-70	-60	dB
LINE output system						
LINE reference output LEVEL	VOL	PB IN, $V_{IN}=-14\text{dBV}$	-7	-6	-5	dBV
LINE reference output distortion rate	HDL	PB IN, $V_{IN}=-14\text{dBV}$, THD: from 2nd to 5th harmonic		0.1	0.2	%
LINE reference output noise voltage	VNOL	PB IN, no input, JIS-A Filter		-90	-82	dBV
LINE max output LEVEL	VOML	PB IN, LEVEL at which THD (from 2nd to 5th harmonic)=1%	-1	0		dBV
LINE output frequency characteristics 1	FEQP1	PB IN, $V_{IN}=-10\text{dBV}$, Comparison of $f=4\text{kHz}/1\text{kHz}$	-4.5	-3	-1.5	dB
LINE output frequency characteristics 2	FEQP2	PB IN, $V_{IN}=-10\text{dBV}$, Comparison of $f=22\text{kHz}/1\text{kHz}$		-31	-25	dB
LINE output frequency characteristics 3	FEQP3	PB IN, $V_{IN}=-10\text{dBV}$, Comparison of $f=100\text{kHz}/1\text{kHz}$		-70	-60	dB

Continued on next page.

POWER ON Condition (SERIAL communication)



The POWER ON RESET condition continues up to the second C.S rising (③) entered after falling (②) of POWER ON PULSE (①) generated inside IC at a time of power ON.
 Actually, because of delay of several hundreds NS in the IC, the first DATA condition begins in (④) and the normal SERIAL communication condition begins after (④).

LA74302FN

Electrical Characteristics Measurement Method at Ta=25°C, V_{CC}L, D, SP=3.0V, f=1kHz

Symbol	Input		Output		Serial control setting															
	Pin	Conditions	Pin	Conditions	0	1	2	3	4	5	6	7	8	9	10	11	12	13	14	15
Circuit current																				
I _{CCA1}	12	V _{CCA} =3.0V No input	12	FULL operation	0	0	0	0	0	0	0	0	0	0	0	0	0	0	0	0
I _{CCA2}	12	V _{CCA} =3.0V No input	12	MIC/ALC/REC AMP POWER SAVE	0	0	0	1	1	0	0	1	0	0	0	0	0	0	0	0
I _{CCA3}	12	V _{CCA} =3.0V No input	12	LINE AMP POWER SAVE	0	0	0	0	0	0	0	0	1	0	0	0	0	0	0	0
I _{CCS1}	26	V _{CCSP} =3.0V No input	26	FULL operation	0	0	0	0	0	0	0	0	0	0	0	0	0	0	0	0
I _{CCS2}	26	V _{CCSP} =3.0V No input	26	SPK AMP POWER SAVE	0	0	0	0	0	0	0	0	0	0	1	0	0	0	0	0
I _{CCD}	10	V _{CCD} =3.0V No input	10	FULL operation	0	0	0	0	0	0	0	0	0	0	0	0	0	0	0	0
REC output system																				
VOR1	16	V _{IN} =-44dBV f=1kHz	13	400 to 30kHz LPF used	0	0	0	0	0	0	0	0	0	0	0	0	0	0	0	0
HDR	16	V _{IN} =-44dBV f=1kHz	13	400 to 30kHz LPF used THD: from 2nd to 5th harmonic	0	0	0	0	0	0	0	0	0	0	0	0	0	0	0	0
ALM1	16	V _{IN} =-28dBV f=1kHz	13	400 to 30kHz LPF used	0	0	0	0	0	0	0	0	0	0	0	0	0	0	0	0
ALMD1	16	V _{IN} =-28dBV f=1kHz	13	400 to 30kHz LPF used THD: from 2nd to 5th harmonic	0	0	0	0	0	0	0	0	0	0	0	0	0	0	0	0
ALM2	16	V _{IN} =-12dBV f=1kHz	13	400 to 30kHz LPF used	0	0	0	0	0	0	0	0	0	0	0	0	0	0	0	0
ALMD2	16	V _{IN} =-12dBV f=1kHz	13	400 to 30kHz LPF used THD: from 2nd to 5th harmonic	0	0	0	0	0	0	0	0	0	0	0	0	0	0	0	0
VNOR	16	No input	13	JIS-A FILTER used	0	0	0	0	0	0	0	0	0	0	0	0	0	0	0	0
FEQR1	16	V _{IN} =-36dBV f=4kHz	13	f=4kHz/1kHz level ratio	0	0	0	0	0	0	0	0	0	0	0	0	0	0	0	0
FEQR2	16	V _{IN} =-36dBV f=22kHz	13	f=22kHz/1kHz level ratio	0	0	0	0	0	0	0	0	0	0	0	0	0	0	0	0
FEQR3	16	V _{IN} =-36dBV f=100kHz	13	f=100kHz/1kHz level ratio	0	0	0	0	0	0	0	0	0	0	0	0	0	0	0	0
LINE output system																				
VOL1	11	V _{IN} =-14dBV f=1kHz	5	400 to 30kHz LPF used	0	0	0	0	0	0	0	0	0	1	0	0	0	0	0	0
HDL	11	V _{IN} =-14dBV f=1kHz	5	400 to 30kHz LPF used THD: from 2nd to 5th harmonic	0	0	0	0	0	0	0	0	0	1	0	0	0	0	0	0
VNOL	11	No input	5	JIS-A FILTER used	0	0	0	0	0	0	0	0	0	1	0	0	0	0	0	0
VOML	11	f=1kHz	5	400 to 30kHz LPF used Level at which THD = 1% (from 2nd to 5th harmonic)	0	0	0	0	0	0	0	0	0	1	0	0	0	0	0	0
FEQP1	11	V _{IN} =-10dBV f=4kHz	5	f=4kHz/1kHz level ratio	0	0	0	0	0	0	0	0	0	1	0	0	0	0	0	0
FEQP2	11	V _{IN} =-10dBV f=22kHz	5	f=22kHz/1kHz level ratio	0	0	0	0	0	0	0	0	0	1	0	0	0	0	0	0
FEQP3	11	V _{IN} =-10dBV f=100kHz	5	f=100kHz/1kHz level ratio	0	0	0	0	0	0	0	0	0	1	0	0	0	0	0	0
SPK output system (SPK end: measured with 8Ω)																				
VOSP1	11	V _{IN} =-14dBV f=1kHz	25 27	400 to 30kHz LPF used Vol.=MAX	0	0	0	0	0	0	0	0	0	0	0	1	1	1	1	1
THDSP	11	V _{IN} =-14dBV f=1kHz	25 27	400 to 30kHz LPF used Vol.=MAX, THD: from 2nd to 5th harmonic	0	0	0	0	0	0	0	0	0	0	0	1	1	1	1	1

Continued on next page.

LA74302FN

Continued from preceding page.

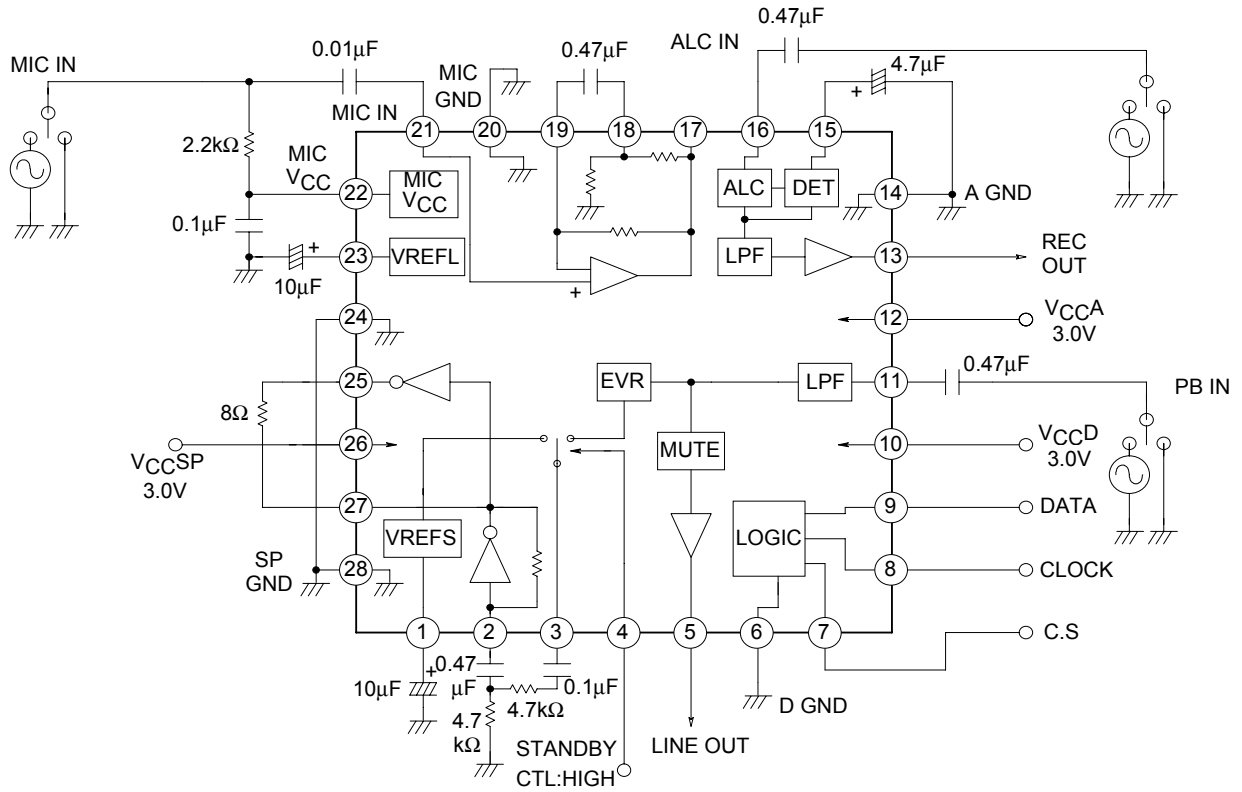
Symbol	Input		Output		Serial control setting															
	P _i n	Conditions	P _o n	Conditions	0	1	2	3	4	5	6	7	8	9	10	11	12	13	14	15
SPK output system (SPK end: measured with 8Ω)																				
VO SP2	11	V _{IN} =-14dBV f=1kHz	25 27	400 to 30kHz LPF used Vol.=TYP	0	0	0	0	0	0	0	0	0	0	0	0	0	1	1	0
VO SP3	11	V _{IN} =-14dBV f=1kHz	25 27	JIS-A FILTER used Vol.=MIN	0	0	0	0	0	0	0	0	0	0	0	0	0	0	0	0
SPK output system (SPK end: measured with 8Ω)																				
VNO SP	11	No input	25 27	JIS-A FILTER used Vol.=MAX	0	0	0	0	0	0	0	0	0	0	0	1	1	1	1	1
VO SP	11	f=1kHz	25 27	400 to 30kHz LPF used Vol.=MAX, Level at which THD = 10% (from 2nd to 5th harmonic)	0	0	0	0	0	0	0	0	0	0	0	1	1	1	1	1
MIC output system																				
VGMIC	21	V _{in} =-40dBV f=1kHz	17	400 to 30kHz LPF used	0	0	0	0	0	0	0	0	0	0	0	0	0	0	0	0
HDMIC	21	V _{in} =-40dBV f=1kHz	17	400 to 30kHz LPF used THD: from 2nd to 5th harmonic	0	0	0	0	0	0	0	0	0	0	0	0	0	0	0	0
VNOMIC	21	No input	17	JIS-A FILTER used	0	0	0	0	0	0	0	0	0	0	0	0	0	0	0	0
VOMIC	21	f=1kHz	17	400 to 30kHz LPF used Level at which THD=1% (from 2nd to 5th harmonic)	0	0	0	0	0	0	0	0	0	0	0	0	0	0	0	0
VMIC	22	No input	22	Measure the output voltage at 2.2kΩ load	0	0	0	0	0	0	0	0	0	0	0	0	0	0	0	0

Description of Pin Functions

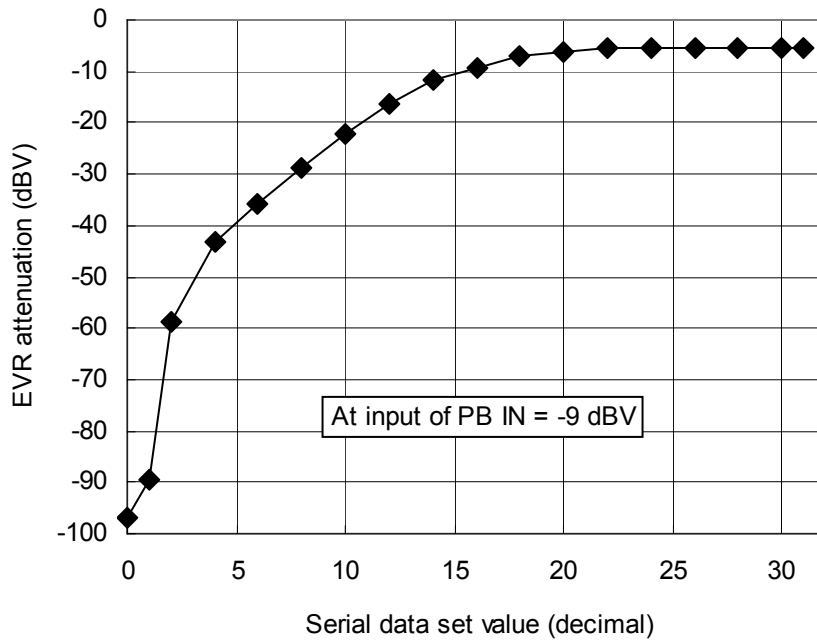
Pin No.	Pin Description
1	Removal of speaker ripple
2	Speaker input
3	EVR output
4	STANDBY control
5	LINE output
6	D GND
7	C.S. input
8	CLOCK input
9	DATA input
10	V _{CCD}
11	PB input
12	V _{CCA}
13	REC output
14	A GND
15	ALC detection
16	ALC input
17	MIC output
18	MIC Amp attenuator output
19	MIC Amp NFB
20	MIC GND
21	MIC input
22	INT power supply for MIC
23	MIC Removal of ripple for V _{CC} and VREFL
24	SPK GND
25	Speaker positive-phase output
26	V _{CCSP}
27	Speaker negative-phase output
28	SPK GND

LA74302FN

LA74302FN BLOCK Diagram and Test Circuit Diagram



LA74302FN EVR characteristics



LA74302FN

Table of Input/Output Forms of LA74302FN

PIN	Pin Name	DC Voltage	AC Voltage	Description of Functions	Equivalent Circuit Diagram in Pin
1	VREFS	1.25V		Ripple removal pin	
2	SP IN	1.25V	-10dBV (EVR MAX at PB reference input)	Speaker input pin	
27	SPK OUT-	1.25V	-10dBV (EVR MAX at PB reference input)	Speaker negative-phase output pin	
3	EVR OUT	1.64V	-10dBV (EVR MAX at PB reference input)	EVR output pin	
4	STANDBY H			STANDBY control pin 2V or more: STANDBY * Puts all amplifiers excluding speakers into the STANDBY state.	
5	LINE OUT	1.50V	-6dBV (At PB reference input)	LINE output pin	
6	D_GND	0V		GND pin for serial communication block	
7	CS			CS input pin	
8	CLOCK			CLOCK input pin	
9	DATA			DATA input pin	

Continued on next page.

LA74302FN

Continued from preceding page.

PIN	Pin Name	DC Voltage	AC Voltage	Description of Functions	Equivalent Circuit Diagram in Pin
10	V _{CCD}	3.0V		Power pin for driving of the serial communication block and all amplifier starter circuits	
11	PB IN	1.64V	-14dBV (Reference input level)	PB input pin	
12	V _{CCA}	3.0V		Analog signal block power pin	
13	REC OUT	1.50V	-14dBV (At MIC reference input)	REC output pin	
14	A GND	0V		Analog signal block GND pin	
15	ALC DET			ALC detection pin	
16	ALC IN	1.64V	-44dBV (At MIC reference input/output)	ALC input pin	
17	MIC OUT	1.64V	-44dBV (At MIC reference input)	MIC output pin	

Continued on next page.

LA74302FN

Continued from preceding page.

PIN	Pin Name	DC Voltage	AC Voltage	Description of Functions	Equivalent Circuit Diagram in Pin
18	MIC ATT	0.30V		MIC Amp attenuator output pin	
19	MIC NFB	1.64V		MIC Amp NFB pin	
20	MIC GND	0V		MIC Amp block GND pin	
21	MIC IN	1.64V	-70dBV (Reference input level)	MIC input pin	
22	MIC V _{CC}	2.30V		MIC power pin	
23	VREFL	2.30V		MIC V _{CC} and VREFL ripple removal pin	
24 28	SP GND	0V		Speaker GND pin	
25	SPK OUT+	1.25V	-10dBV (EVR MAX at PB reference input)	Speaker positive-phase output pin	
26	V _{CC} SP	3.0V		Speaker power pin	

- SANYO Semiconductor Co.,Ltd. assumes no responsibility for equipment failures that result from using products at values that exceed, even momentarily, rated values (such as maximum ratings, operating condition ranges, or other parameters) listed in products specifications of any and all SANYO Semiconductor Co.,Ltd. products described or contained herein.
- SANYO Semiconductor Co.,Ltd. strives to supply high-quality high-reliability products, however, any and all semiconductor products fail or malfunction with some probability. It is possible that these probabilistic failures or malfunction could give rise to accidents or events that could endanger human lives, trouble that could give rise to smoke or fire, or accidents that could cause damage to other property. When designing equipment, adopt safety measures so that these kinds of accidents or events cannot occur. Such measures include but are not limited to protective circuits and error prevention circuits for safe design, redundant design, and structural design.
- In the event that any or all SANYO Semiconductor Co.,Ltd. products described or contained herein are controlled under any of applicable local export control laws and regulations, such products may require the export license from the authorities concerned in accordance with the above law.
- No part of this publication may be reproduced or transmitted in any form or by any means, electronic or mechanical, including photocopying and recording, or any information storage or retrieval system, or otherwise, without the prior written consent of SANYO Semiconductor Co.,Ltd.
- Any and all information described or contained herein are subject to change without notice due to product/technology improvement, etc. When designing equipment, refer to the "Delivery Specification" for the SANYO Semiconductor Co.,Ltd. product that you intend to use.
- Information (including circuit diagrams and circuit parameters) herein is for example only; it is not guaranteed for volume production.
- Upon using the technical information or products described herein, neither warranty nor license shall be granted with regard to intellectual property rights or any other rights of SANYO Semiconductor Co.,Ltd. or any third party. SANYO Semiconductor Co.,Ltd. shall not be liable for any claim or suits with regard to a third party's intellectual property rights which has resulted from the use of the technical information and products mentioned above.

This catalog provides information as of May, 2008. Specifications and information herein are subject to change without notice.