



Frontier Electronics Corp.

667 E. COCHRAN STREET, SIMI VALLEY, CA 93065

TEL: (805) 522-9998 FAX: (805) 522-9989

E-mail: frontiersales@frontierusa.com

Web: frontierusa.com

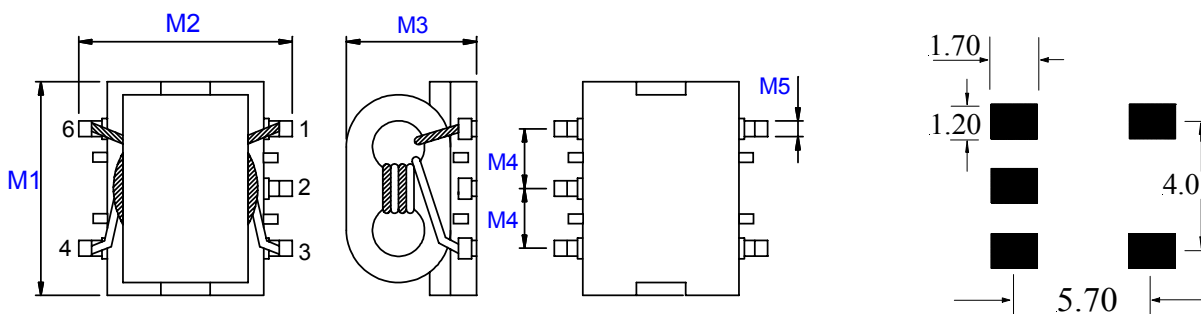
SMD Balun Transformer—SBT301-series

A. Electrical specifications:

| Part No. | Winding Turns | Insertion Loss 2.5dB Max. |
|-----------|---------------|---------------------------|
| SBT301-02 | 2.5 Ts | @ 8.0~1600 MHz |
| SBT301-03 | 3.5 Ts | @ 7.0~1100 MHz |
| SBT301-04 | 4.5 Ts | @ 7.0~600 MHz |
| SBT301-05 | 5.5 Ts | @ 4.0~600 MHz |

B. Mechanical dimensions: (Unit: mm)

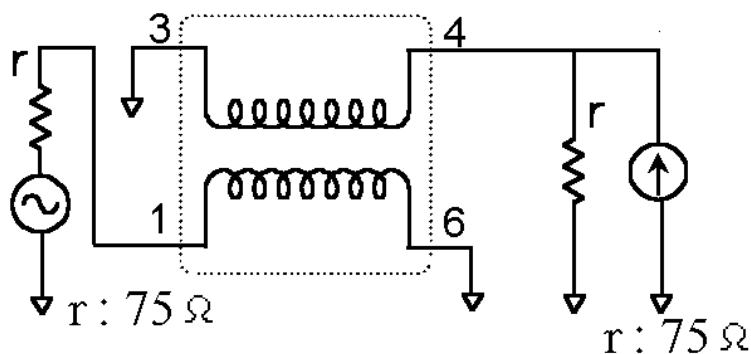
| | M1 | M2 | M3 | M4 | M5 |
|-----------|------|------|------|--------|--------|
| Dimension | 6.90 | 6.90 | 4.40 | 2.0 | 0.60 |
| Tolerance | Max. | Max. | Max. | ± 0.30 | ± 0.15 |



Mechanical dimension

Land Pattern

C. Test configuration and connection:



D. Note: **RoHS** compliant; for the **ROHS** parts, we add “-LFR” at the end of the P/N.



Frontier Electronics Corp.

667 E. COCHRAN STREET, SIMI VALLEY, CA 93065

TEL: (805) 522-9998 FAX: (805) 522-9989

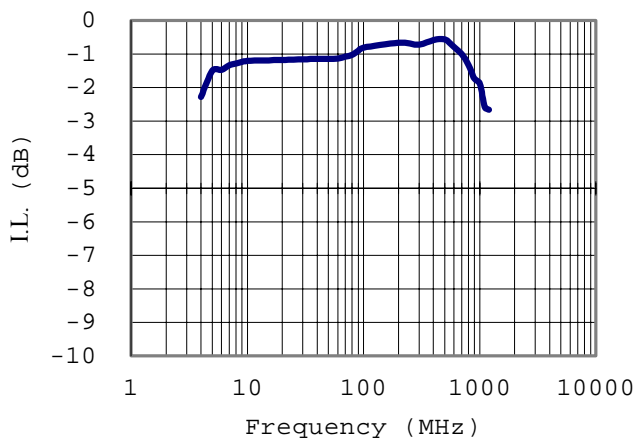
E-mail: frontiersales@frontierusa.com

Web: frontierusa.com

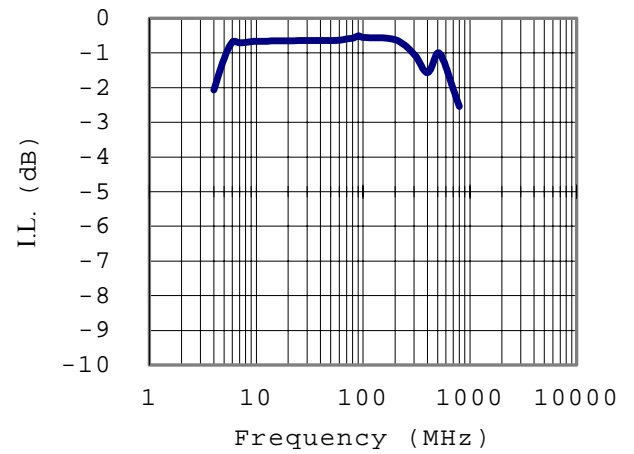
SMD Balun Transformer—SBT301-series

E. Characteristic curve:

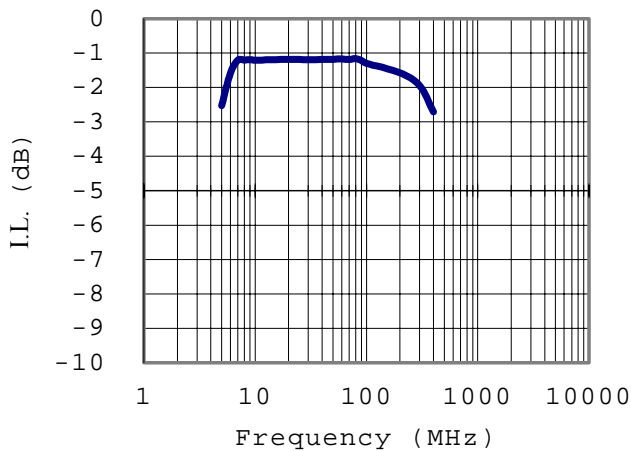
SBT301-02



SBT301-03



SBT301-04



SBT301-05

