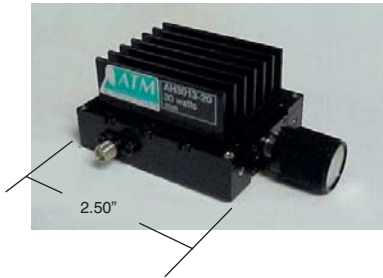


HIGH POWER VARIABLE ATTENUATORS



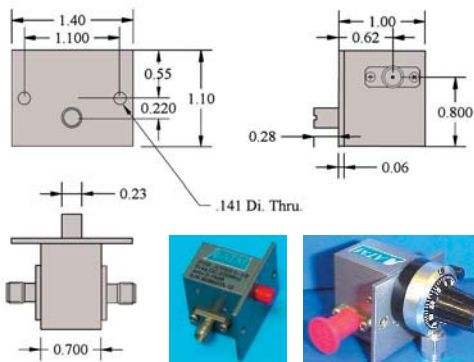
30 WATTS*

RF CONN: SMA female
INS LOSS: 0.5dB max
VSWR: 1.5 max
RF POWER: 30 W avg
5 Kw peak

*Up to 250 Watts Available

Freq. (GHZ)	Atten. Range (dB)	Flatness (+/- dB)	Model No.
0.5 - 1.0	6	N/A	AH30V082-6
0.8 - 1.6	10	N/A	AH30V083L-10
0.9 - 1.75	10	N/A	AH30V083L1-10
1.0 - 2.0	10	N/A	AH30V083-10
2.0 - 4.2	10	N/A	AH30V084-10
4.0 - 8.0	10	N/A	AH30V085-10
7.9 - 12.7	10	N/A	AH30V086-10
11.7 - 18.0	10	N/A	AH30V087-10

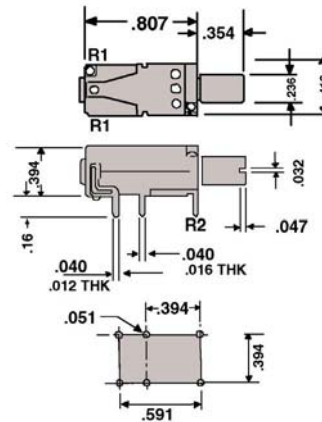
DC - 1 GHz VARIABLE ATTENUATORS



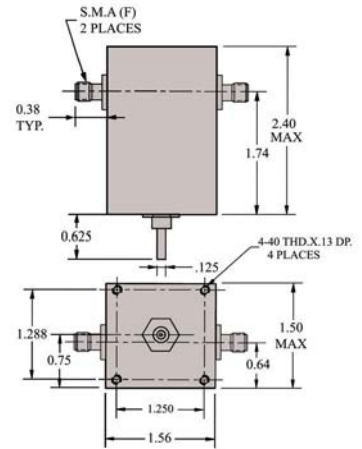
Standard Model

Dial Option*

AF03 Series



PC Series



AF04 & AF05 Series

*Multi-Turn, SMA Connectors, Low Insertion Loss

Freq (MHz)	Atten (dB)	I.L. (dB max)	Flatness (+/- dB)	VSWR (max)	Model No. (50 Ohm)	Model No. (75 Ohm)
DC-100	0-15	0.5	0.5	1.3	AF030-15	AF030-15/75
DC-200	0-15	0.5	0.5	1.4	AF031-15	AF031-15/75
DC-500	0-15	0.5	1.0	1.8	AF032-15	AF032-15/75
DC-1000	0-10	1.0	1.5	2.0	AF033-10	N/A

Multi-Turn PC Mounted

DC-300	0-15	0.5	1.0	1.5	AV0PC2-15-50	AV0PC2-15-75
DC-850	0-15	0.5	1.5	2.0	AV0PC3-15-50	AV0PC3-15-75

*Multi-Turn, SMA Connectors, Low Insertion Loss

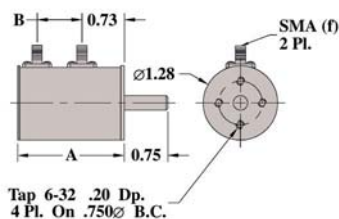
Freq (MHz)	Atten (dB)	I.L. (dB max)	Flatness (+/- dB)	VSWR (max)	Model No. (50 Ohm)	Model No. (75 Ohm)
DC-100	0-30	1.0	1.0	1.5	AF040-30	AF040-30/75
DC-200	0-30	1.0	1.5	1.5	AF041-30	AF041-30/75
DC-500	0-30	1.0	1.5	1.8	AF042-30	AF042-30/75
DC-1000	0-30	3.0	N/A	2.0	AV043-30	N/A

Single-Turn, SMA, Low Insertion Loss, w/Calibration Dial

DC-100	0-30	1.0	1.0	1.5	AF050-30	AF050-30/75
DC-200	0-30	1.0	1.5	1.5	AF051-30	AF051-30/75
DC-500	0-30	1.0	1.5	1.5	AF052-30	AF052-30/75

*For Turns Counting Dial change P/N from AF0 to AF8

ROTARY STEP ATTENUATORS



Model	Frequency Range	Attenuator Range	Attenuation Accuracy	VSWR	Insertion Loss	D _{im} (In) A B
AS013-10-1	DC-2200 MHz	0-10 dB in 1 dB steps	±2 dB max. DC-1000 MHz ±4 dB max. 1000-2000 MHz	1.2:1 max. DC-1000 MHz 1.4:1 max. 1000-2000 MHz	0.2dB max DC-1000 MHz 0.4 dB max. 1000-2000 MHz	1.83 0.77
AS013-60-10	DC-2200 MHz	0-60 dB in 10 dB steps	± 0.5 dB or 1% DC-500 MHz ± 0.5 dB or 2% 500-1000 MHz ± 0.5 dB or 3% 1000-2000 MHz	1.2:1 max. DC-1000 MHz 1.4:1 max. 1000-2000 MHz	0.3 dB max. DC-1000 MHz 0.5 dB max. 1000-2000 MHz	2.40 1.36
AS113-110-1 Dual Concentric	DC-2200 MHz	0-110 dB in 1dB steps	± 0.3 dB or 1% DC-500 MHz ± 0.5 dB or 2% 500-1000 MHz ± 0.5 dB or 3% 1000-1500 MHz ± 0.5 dB or 4% 1500-2000 MHz	1.3:1 max. DC-1000 MHz 1.5:1 max. 1000-1500 MHz 1.7:1 max. 1500-2000 MHz	.75 dB max. DC-1000 MHz 1.25 dB max. 1000-2000 MHz	4.0 2.3

• Impedance: 50 Ohms

• RF Input Power: 1W avg., 1KW peak

• SMA Female Others Available