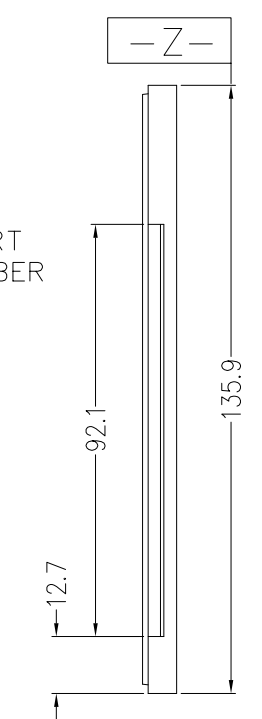
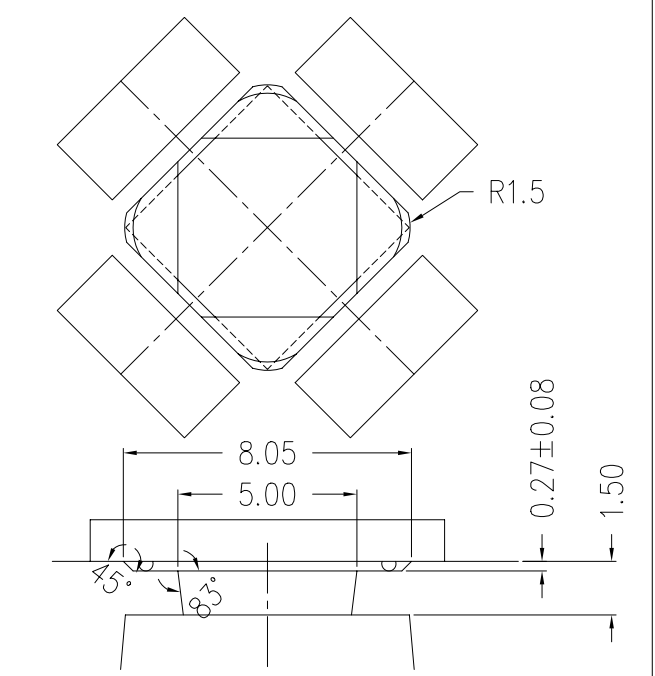
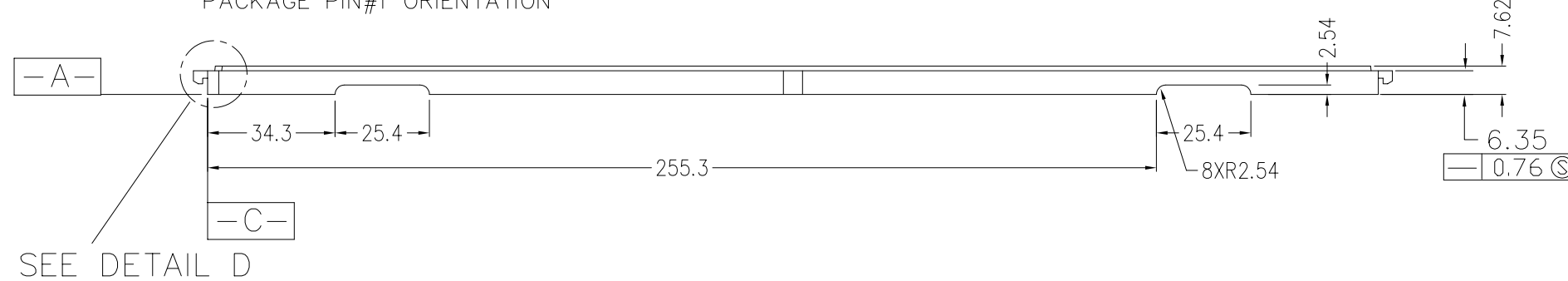


DETAIL OF CAVITY (8:1)



NOTES :


1. MATERIAL - PP8.
2. ALL DIMENSIONS ARE IN MILLIMETERS.
3. TOLERANCES - X.X=±0.25  
- X.XX=±0.13  
UNLESS OTHERWISE SPECIFIED.
4. ESD - SURFACE RESISTIVITY  
- 10<sup>5</sup> TO 10<sup>11</sup> OHMS/SQ.
5. FOR PACKAGE - BGA7X7,  
TOTAL THICKNESS 1.6 MAX.
6. PART NO. : NH BG0707 1.6 1332 8 REV.A  
(PLEASE INDICATE ON PURCHASE ORDER).
7. DATECODE AT TRAY BOTTOM SIDE.



REV.NO.	ECN #	DESCRIPTION	DATE
4	P-01112	ADD CHAMFER ALONG THE BOTTOM INNER CORNER AND ADD MAERRIAL AT FOUR CORNER	08 FEB 02
3	P-00918	CHANGE SURFACE RESISTIVITY	1 FEB 99
2	P-00747	CHANGE STRUCTURE & PART NO.	9 MAR 98
1	P-00743	ADD PP1 MATERIAL	6 FEB 98
0		RELEASED FOR PRODUCTION	8 NOV 97

THIS DOCUMENT CONTAINS INFORMATION PROPRIETARY TO PEAK PLASTIC & METAL PRODUCTS INTERNATIONAL LIMITED. REPRODUCTION, DISCLOSURE OR USE OF THIS DOCUMENT IS EXPRESSLY PROHIBITED EXCEPT IF OTHERWISE AGREED UPON IN WRITING.

DRAWN BY : Wang	PAGE 1 OF 2
CHECKED BY : WILDER	DATE : 08 FEB 02
APPROVED BY : JONES	DATE : 08 FEB 02
APPROVED BY : DAVY	DATE : 08 FEB 02
DO NOT SCALE DRAWING	CODE : CSA04253


**PEAK** PLASTIC & METAL PRODUCTS INT'L LTD.

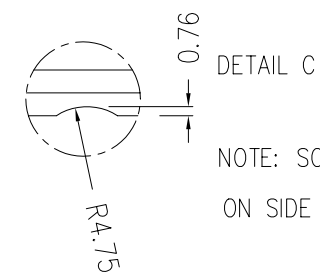
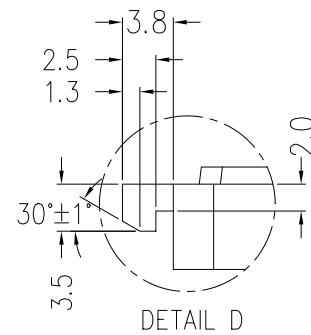
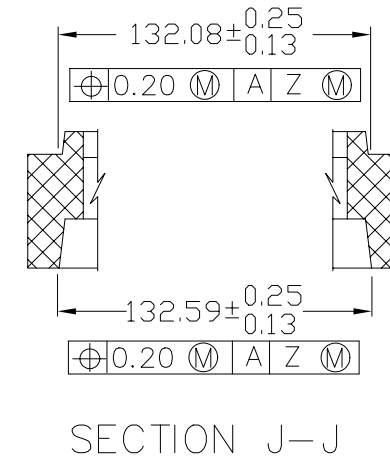
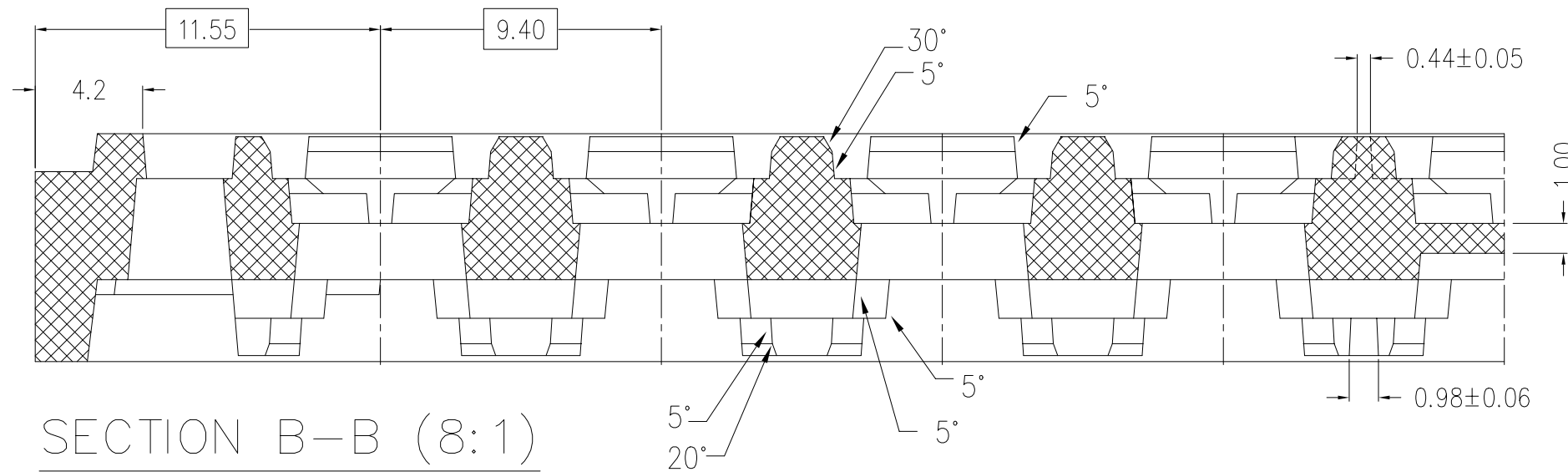
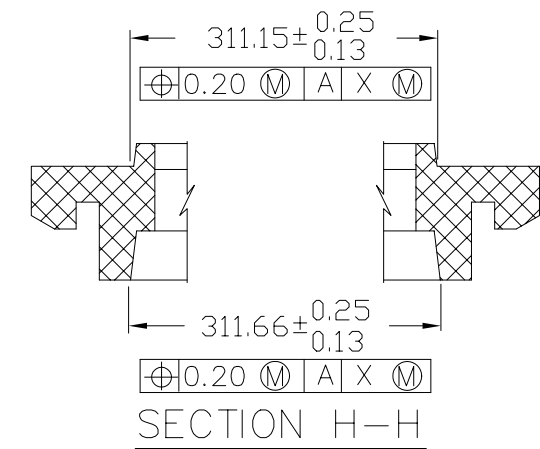
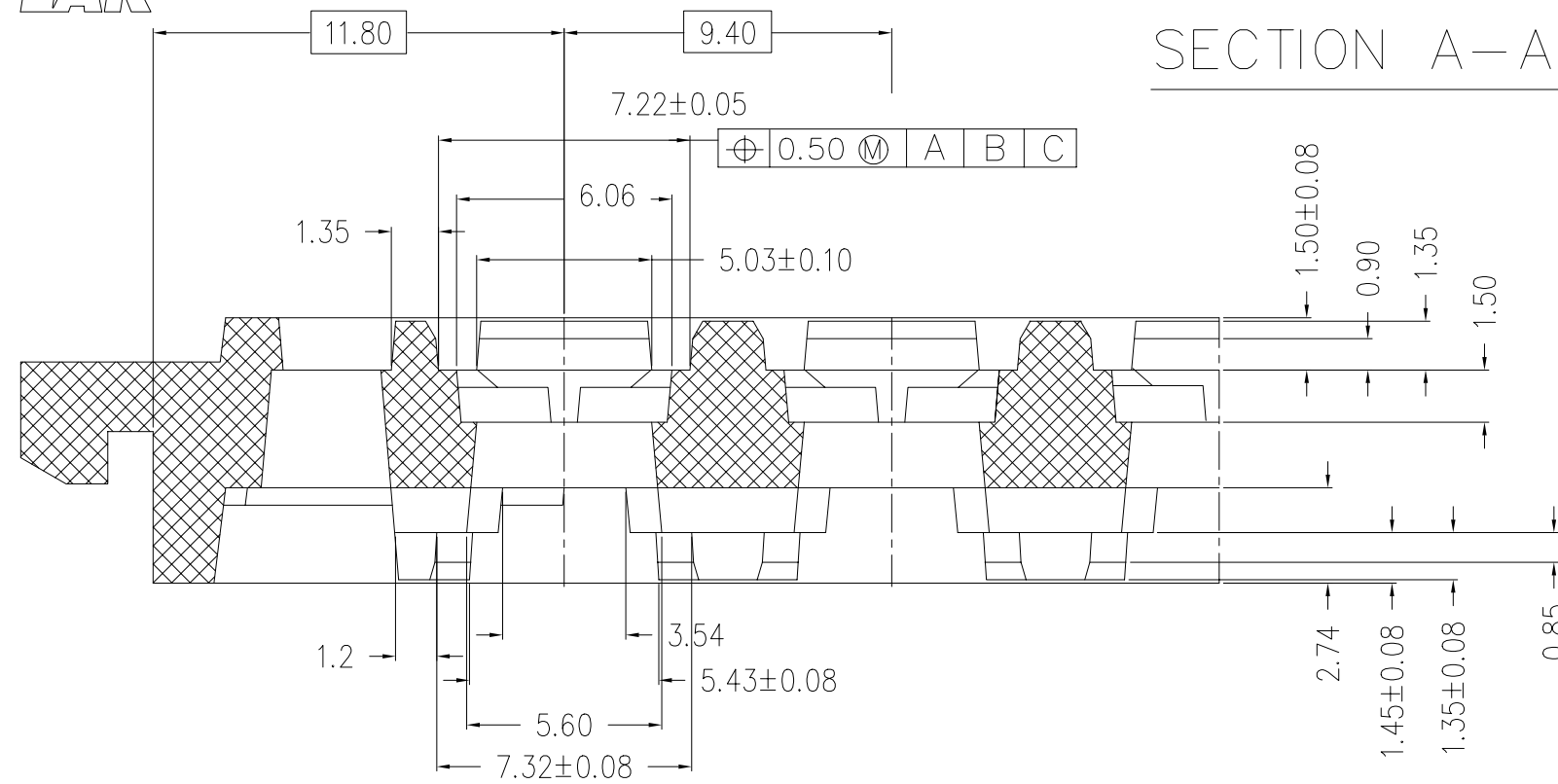
CUSTOMER : *PEAK*

TITLE : NH BG0707 1.6 1332 8 REV.A

DWG NO.: NH BG0707 1.6 1332 8 REV.A      REV. 4

PEAK

SECTION A-A (8:1)




SECTION B-B (8:1)

SECTION J-J

4	P-01112	ADD CHAMFER ALONG THE BOTTOM INNER CORNER AND ADD MAERRIAL AT FOUR CORNER	08 FEB 02
3	P-00918	CHANGE SURFACE RESISTIVITY	1 FEB 99
2	P-00747	CHANGE STRUCTURE & PART NO.	9 MAR 98
1	P-00743	ADD PP1 MATERIAL	6 FEB 98
0		RELEASED FOR PRODUCTION	8 NOV 97
REV.NO.	ECN #	DESCRIPTION	DATE

THIS DOCUMENT CONTAINS INFORMATION PROPRIETARY TO PEAK PLASTIC & METAL PRODUCTS INTERNATIONAL LIMITED. REPRODUCTION, DISCLOSURE OR USE OF THIS DOCUMENT IS EXPRESSLY PROHIBITED EXCEPT IF OTHERWISE AGREED UPON IN WRITING.

DRAWN BY : Wang	PAGE 2 OF 2
CHECKED BY : WILDER	DATE : 08 FEB 02
APPROVED BY : JONES	DATE : 08 FEB 02
APPROVED BY : DAVY	DATE : 08 FEB 02
DO NOT SCALE DRAWING	CODE : CSA04253


**PEAK** PLASTIC & METAL PRODUCTS INT'L LTD.

CUSTOMER : *PEAK*

TITLE : NH BG0707 1.6 1332 8 REV.A

DWG NO.: NH BG0707 1.6 1332 8 REV.A      REV. 4