

GOA9xx06

THREE PHASE AC-SWITCH

Fuse protection
Temperature sensors
Snubber for SCR's protections

LINE VOLTAGE UP TO **500 V**
RMS OUTPUT CURRENT **630 A**

	GOA95006	GOA94006
Line to line voltage	500 V	400 V

Characteristic		Conditions	Value
I _{RMS}	R.M.S. output current	Cooling fans: 3 x W2S130-AA03 01 (EBM) @ Ta=40°C	630 A
V _{INS (rms)}	Insulation voltage		3000 V

THYRISTOR TRIGGERING CHARACTERISTICS

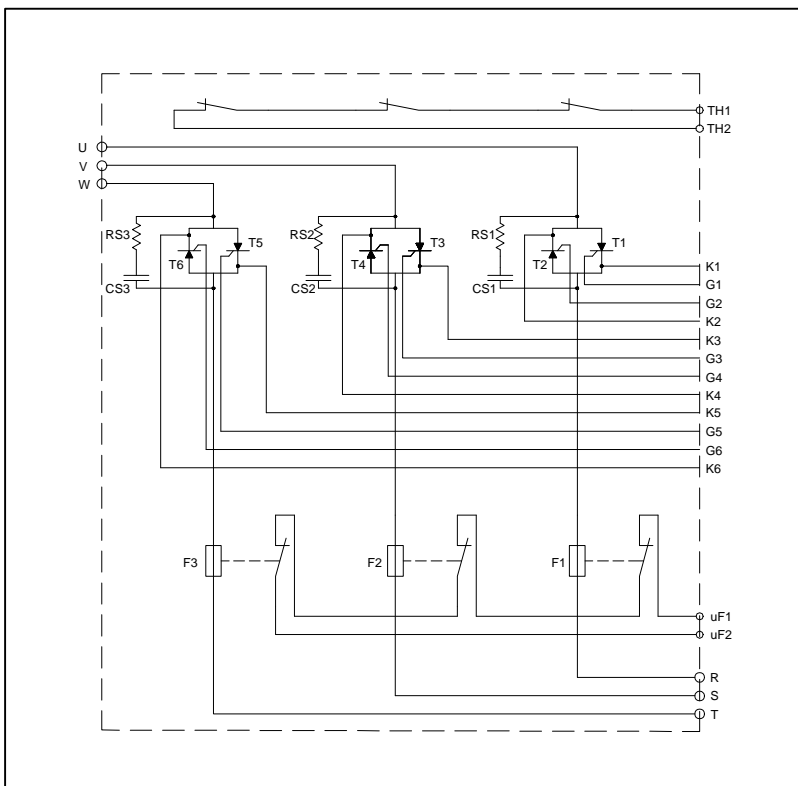
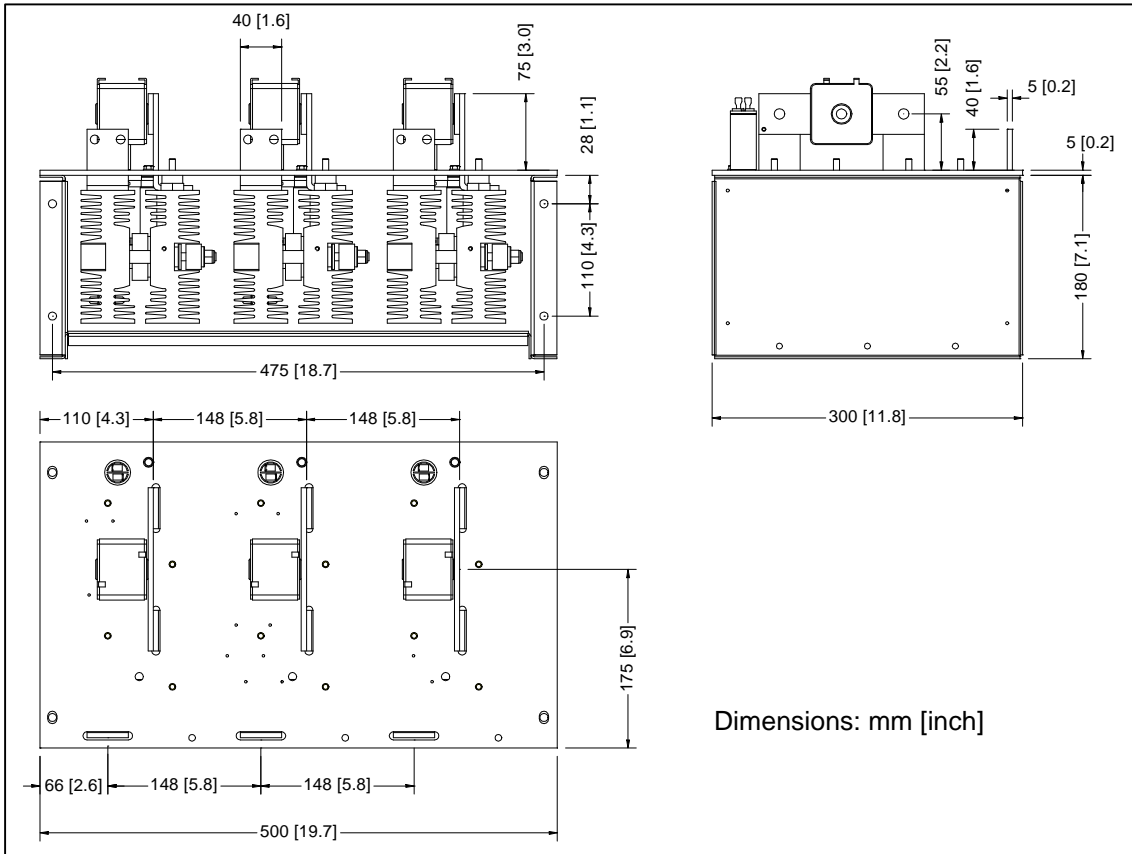
V _{GT}	Gate trigger voltage	T _j = 25 °C, V _D = 5 V	3 V
I _{GT}	Gate trigger current	T _j = 25 °C, V _D = 5 V	300 mA

FUSE TYPE SIBA 2067132.630

V _{NF}	Rated voltage		690 V
I _{NF}	Rated current		630 A
P _{VF}	Power loss	At rated current	94 W
I ² t		Line voltage 500 V	231 kA ² s

MECHANICAL AND THERMAL CHARACTERISTICS

	Width		500 mm
	Depth		300 mm
	Height		250 mm
	Mass		30 kg
T _{a max}	Max ambient operating temperature		40 °C
T _{stg}	Storage temperature		-40 / 125 °C



In the interest of product improvement Green Power Semiconductors reserves the right to change any specification given in this data sheet without notice.