

GOB9xx24

BI-DIRECTIONAL THREE PHASE AC-DC BRIDGE

Fuse protection
Blown fuse indicators with microswitch
Over temperature switches
Fan loss detection circuit
Snubber for SCR's protections
Extractible stacks for easy field service

LINE VOLTAGE UP TO 500V
DC OUTPUT CURRENT 2400A

GOB94024 GOB95024

| | | | |
|----------------------|-------|-------|--|
| Line to line voltage | 400 V | 500 V | |
|----------------------|-------|-------|--|

| Characteristic | | Conditions | Value | Value | |
|------------------------|--------------------|------------|--------|--------|--|
| I _{DC} | DC output current | | 2400 A | 2400 A | |
| V _{INS} (rms) | Insulation voltage | | 3000 V | 3000 V | |
| | | | | | |

THYRISTOR CHARACTERISTICS

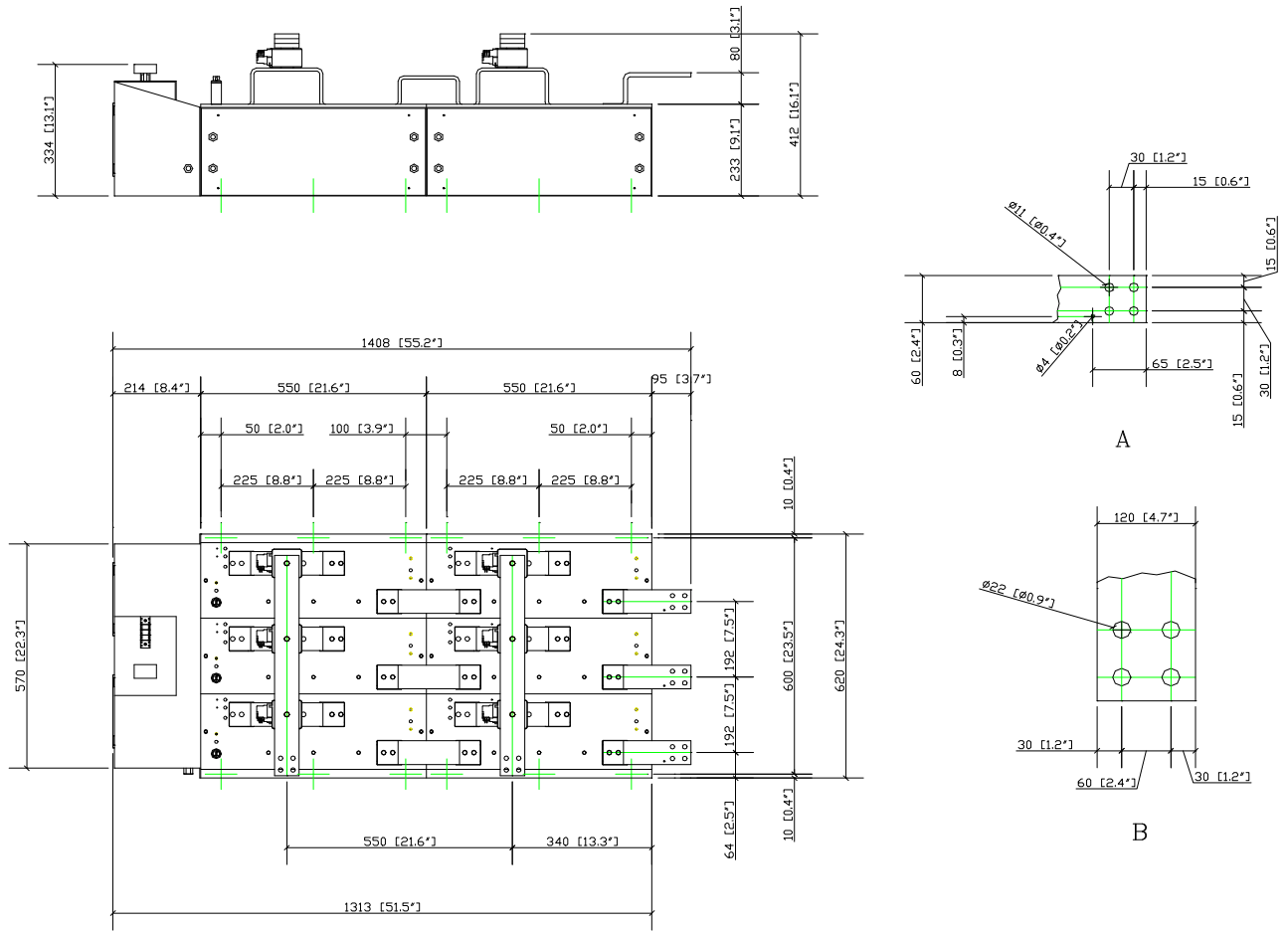
| | | | | | |
|-------------------|---|--|-----------|-----------|--|
| V _{GT} | Gate trigger voltage | T _j = 25 °C, V _D = 5 V | 3 V | 3 V | |
| I _{GT} | Gate trigger current | T _j = 25 °C, V _D = 5 V | 300 mA | 300 mA | |
| dV/dt | Critical rate of rise off-state voltage | T _j = 125 °C | 1000 V/us | 1000 V/us | |
| V _R RM | Blocking Voltage | T _j = 125 °C | 1200 V | 1600 V | |

FUSE TYPE SIBA 268132.1400

| | | | | | |
|------------------|------------------------|------------------|------------------------|------------------------|--|
| V _{NF} | Rated voltage | | 690 V | 690 V | |
| I _{NF} | Rated current | | 1400 A | 1400 A | |
| P _{VF} | Power loss | At rated current | 161 W | 161 W | |
| I ² t | Total I ² t | At 660V | 2200 kA ² s | 2200 kA ² s | |

MECHANICAL AND THERMAL CHARACTERISTICS

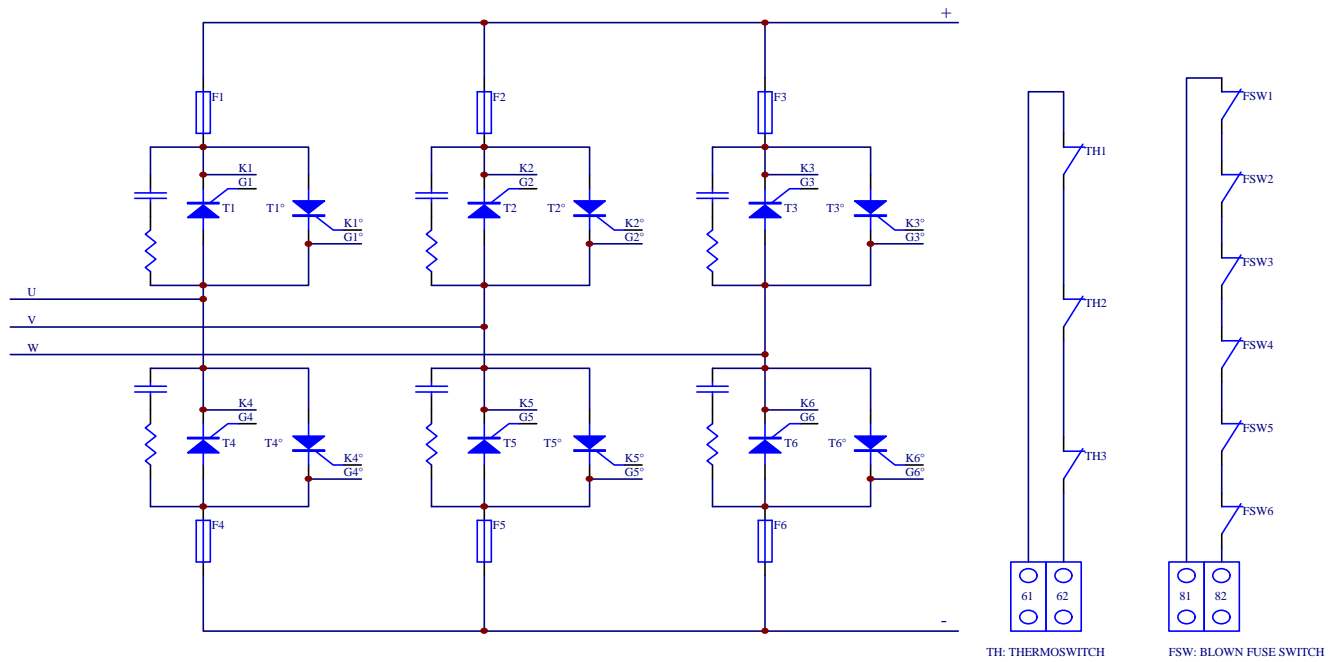
| | | | | | |
|--------------------|---------------------|--|-----------|-----------|--|
| | Width | | 620 mm | 620 mm | |
| | Depth | | 420 mm | 420 mm | |
| | Height | | 1409 mm | 1409 mm | |
| | Mass | | 170 kg | 170 kg | |
| T _a max | Max amb. op. Temp. | | 40 °C | 40 °C | |
| T _{stg} | Storage temperature | | -40/60 °C | -40/60 °C | |



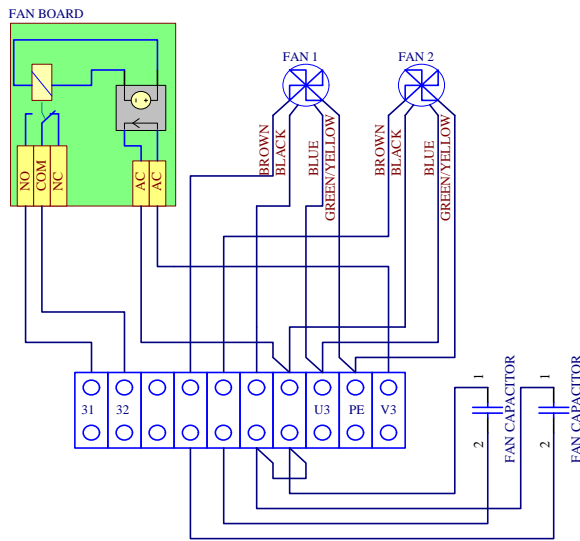
The part numbering system is reported at the beginning of the Open Assembly section.

Customisations are available on request. Please contact factory.

In the interest of product improvement Green Power Solutions reserves the right to change any specification given in this data sheet without notice.



61-62: THERMOSWITCH CIRCUIT CONNECTION
81-82: BLOWN FUSE SWITCH CIRCUIT CONNECTION



U3-V3: MAIN SUPPLY
PE: GROUND CONNECTION (GND)
31-32: FAN BOARD CONTACT (CLOSED WHEN FAN RUNNING)

Cooling:

Fan type: single phase axial
 Number of fans: 2
 Voltage: 230 V
 Current: 0.6 A
 Frequency: 50/60 Hz
 Noise: 62 dBA

In the interest of product improvement Green Power Solutions reserves the right to change any specification given in this data sheet without notice.