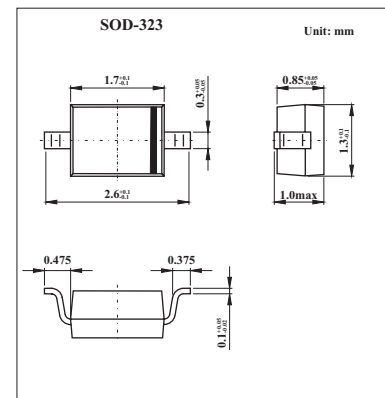


## Silicon Epitaxial Planar Diode

## 1SV239

## ■ Features

- Ultra Low Series Resistance:  $r_s = 0.44 \Omega$  (Typ.)
- Useful for small size Set

■ Absolute Maximum Ratings  $T_a = 25^\circ\text{C}$ 

Parameter	Symbol	Value	Unit
Reverse Voltage	$V_R$	15	V
Junction Temperature	$T_j$	125	$^\circ\text{C}$
Storage Temperature Range	$T_{stg}$	-55 to +125	$^\circ\text{C}$

■ Electrical Characteristics  $T_a = 25^\circ\text{C}$ 

Parameter	Symbol	Conditions	Min	Typ	Max	Unit
Reverse Voltage	$V_R$	$I_R = 1 \mu\text{A}$	15			V
Reverse Current	$I_R$	$V_R = 15 \text{V}$			3	nA
Capacitance	$C_{2V}$	$f = 1 \text{MHz}; V_R = 2 \text{V}$	3.8	4.25	4.7	pF
	$C_{10V}$	$f = 1 \text{MHz}; V_R = 10 \text{V}$	1.5	1.75	2.0	
Capacitance Ratio	$C_{2V}/C_{10V}$		2	2.4		
Series Resistance	$r_s$	$V_R = 1 \text{V}, f = 470 \text{MHz}$		0.44	0.6	$\Omega$

## ■ Marking

Marking	TC
---------	----