

GOXX0004

SNUBBER BOARD

(PCB MOUNTED RC GROUP AND VOLTAGE SUPPRESSOR FOR SINGLE PHASE RECTIFIER)

LINE VOLTAGE UP TO 230V
OUTPUT CURRENT UP TO 30A

The GOXX0004 can be used as a snubber/voltage suppressor board for single phase bridges using 50-90A modules (IR Add-A-Pack, Semikron Semipack, etc.)

BOARD CHARACTERISTICS

Characteristic		Conditions	Value
I _{LOAD (AVG)}	Maximum bridge output current		30 A
V (RMS)	Maximum voltage		230 V
V _{INS (RMS)}	Insulation voltage		2000 V

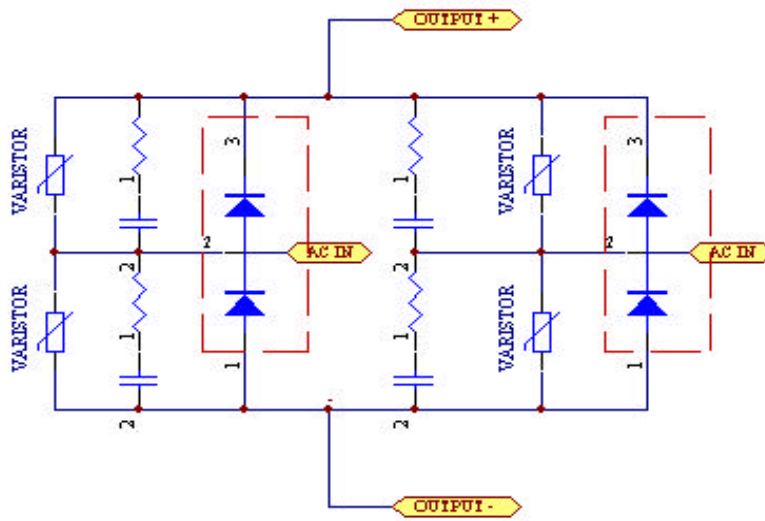
RC GROUP AND SUPPRESSOR CHARACTERISTICS

R	Snubber resistor		47 Ohm
C	Snubber capacitor		0.22 μ F
V _{BR (RMS)}	Suppressor nominal voltage		300 V
I _{MAX}	Max. suppressor discharge current	(8/20 μ s)	8000 A
W _{MAX}	Suppressor energy	(2 ms)	173 J

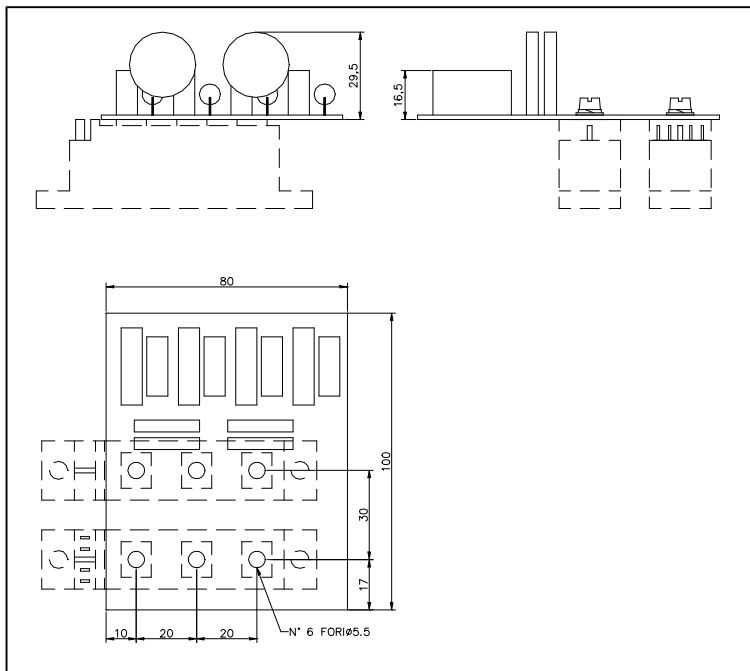
MECHANICAL AND THERMAL CHARACTERISTICS

	Width		80 mm
	Depth		100 mm
	Height		29.5 mm
W	Weight		76 g
	hole diameter		5.5 mm
T _{a max}	Max amb. op. Temp.		40 °C
T _{stg}	Storage temperature		-40/60 °C

FUNCTIONAL SCHEMATIC



MECHANICAL DRAWING



In the interest of product improvement Green Power Solutions reserves the right to change any specification given in this data sheet without notice.