

Plasma Panel Display Modules

240 Character Display with Drive Electronics Controller and Parallel Interface



FEATURES

- 240 (6 x 40) alphanumeric characters (5 x 7 dot matrix).
- Compatible with IEE 3402-08-240N.
- Only + 5 and + 11.5 to 30.0 VDC required.
- ASCII character set (optional character sets available).
- Efficient parallel interface.
- Wide viewing angle (150°).
- Rugged design/slim profile.
- Flicker free refresh.
- Editing functions.
- High brightness.

The APD-240M021 plasma display module consists of a multiplexed DC plasma display, drive circuitry and switching voltage converter mated with an intelligent, microprocessor-based controller board. The resulting assembly interfaces easily to microprocessor-based systems and requires only readily available low voltages for power. Vishay Dale's patented open construction display technology assures a stable flicker free screen.

Interfacing is a basic 8 bit parallel ASCII interface with some dedicated control lines and requires minimum handshaking. DEVICE SELECT (CS), ADDRESS (A₀), WRITE and READ lines are enabled in accordance with the Function Summary Chart and allow the host system to write or read data from the display. Data bus signals are formatted in accordance with the standard ASCII which allow control functions to be included in the character code matrix table. Functions such as advancing the cursor position or selecting the end-of-line mode are implemented with a single 8 bit control word.

OPTICAL SPECIFICATIONS

Viewing Area: 7.52" [191.01mm] W x 2.15" [54.61mm] H.

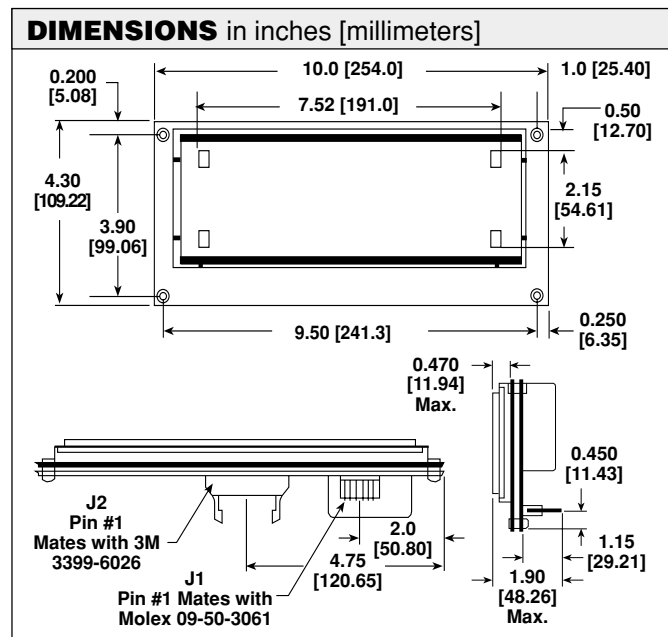
Number of Characters: 240.

Character Size: 0.15" [3.81mm] W x 0.21" [5.33mm] H.

Luminance: 100 foot lamberts.

STANDARD ELECTRICAL SPECIFICATIONS				
	MIN.	TYP.	MAX.	UNITS
Logic Supply Voltage	+ 4.75	+ 5.0	+ 5.25	V
Logic Supply Current	—	300.0	—	mA
Panel Supply Voltage	11.5	12.0	30.0	V
Panel Supply Current*	—	600.0	1000.0	mA
Logic One Voltage	2.4	—	—	V
Logic Zero Voltage	—	—	0.8	V
Logic Zero Input Current	—	—	- 0.4	mA

*At 12 volt input.



ORDERING INFORMATION

DESCRIPTION	PART NUMBER
Display, Drive Electronics, Controller.....	APD-240M021
Parallel Data Connector Kit.....	280105-01
Power Connector Kit.....	280108-07
Non-Glare Filter (amber circular polarized) - other filters available - contact factory.....	280109-13



Disclaimer

All product specifications and data are subject to change without notice.

Vishay Intertechnology, Inc., its affiliates, agents, and employees, and all persons acting on its or their behalf (collectively, "Vishay"), disclaim any and all liability for any errors, inaccuracies or incompleteness contained herein or in any other disclosure relating to any product.

Vishay disclaims any and all liability arising out of the use or application of any product described herein or of any information provided herein to the maximum extent permitted by law. The product specifications do not expand or otherwise modify Vishay's terms and conditions of purchase, including but not limited to the warranty expressed therein, which apply to these products.

No license, express or implied, by estoppel or otherwise, to any intellectual property rights is granted by this document or by any conduct of Vishay.

The products shown herein are not designed for use in medical, life-saving, or life-sustaining applications unless otherwise expressly indicated. Customers using or selling Vishay products not expressly indicated for use in such applications do so entirely at their own risk and agree to fully indemnify Vishay for any damages arising or resulting from such use or sale. Please contact authorized Vishay personnel to obtain written terms and conditions regarding products designed for such applications.

Product names and markings noted herein may be trademarks of their respective owners.