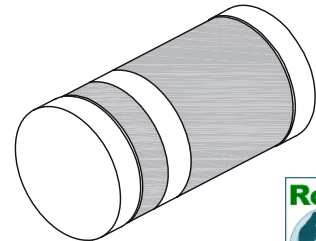


## 1.0A Surface Mount Glass Passivated Rectifier

### Features

- Low profile surface mounted package
- Low Leakage Current
- Plastic package has underwriters laboratory flammability classification 94 V-0
- High temperature soldering: 250 °C / 10 seconds at terminals
- RoHS compliant



MELF  
(DO-213AB)



### Mechanical Data

<b>Case:</b>	JEDEC DO-213AB molded plastic
<b>Terminals:</b>	Plated terminals, solderable per MIL-STD-750, Method 2026
<b>Mounting Position:</b>	Any
<b>Weight:</b>	0.005 Ounce, 0.15 gram

### Maximum Ratings & Electrical Characteristics (*T<sub>amb</sub> = 25°C unless otherwise specified*)

Symbol	Description	GL41A	GL41B	GL41D	GL41G	GL41J	GL41K	GL41M	Unit
<b>V<sub>RRM</sub></b>	Max. Recurrent Peak Reverse Voltage	50	100	200	400	600	800	1000	V
<b>V<sub>RMS</sub></b>	Max. RMS Voltage	35	70	140	280	420	560	700	V
<b>V<sub>DC</sub></b>	Max. DC Blocking Voltage	50	100	200	400	600	800	1000	V
<b>I<sub>AV</sub></b>	Max. Average Rectified Current (See FIG.1)	1.0							A
<b>I<sub>FSM</sub></b>	Peak Forward Surge Current (Note1)	30							A
<b>V<sub>F</sub></b>	Max. Instantaneous Forward Voltage	1.1							V
<b>I<sub>R</sub></b>	Max. DC Reverse Current at Rated DC Blocking Voltage	T <sub>amb</sub> =25°C		5					uA
		T <sub>amb</sub> =125°C		50					
<b>C<sub>J</sub></b>	Typical Junction Capacitance (Note2)	15							pF
<b>R<sub>θ-JA</sub></b>	Max. Thermal Resistance	20							°C/W
<b>R<sub>θ-JL</sub></b>		50							
<b>T<sub>J</sub></b>	Operating Junction Range	-65 to 125							°C
<b>T<sub>STG</sub></b>	Storage Temperature Range	-65 to 150							°C

#### Notes:

- (1) 8.3ms single half sine-wave superimposed on rated load (JEDEC Method)
- (2) Measured at 1.0 MHz and applied reverse voltage of 4.0 VDC

# 1.0 A Surface Mount Glass Passivated Rectifier

## GL41A - GL41M

### Typical Characteristics Curves

Fig.1- Forward Current Derating Curve

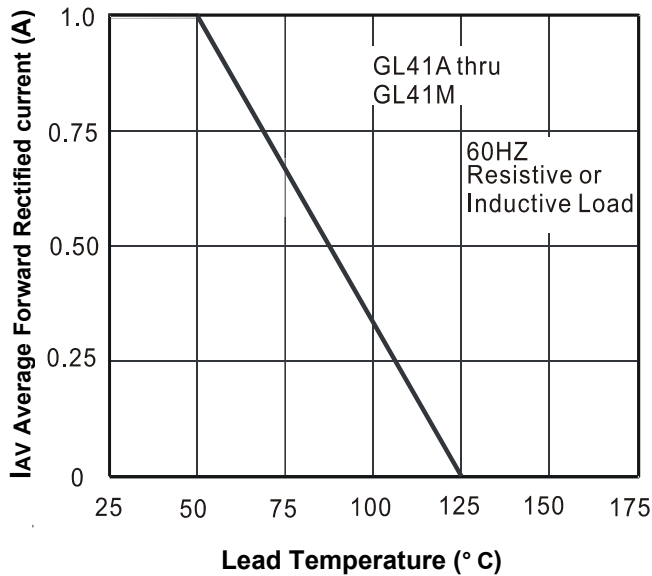


Fig.2- Max. Non-Repetitive Forward Surge Current

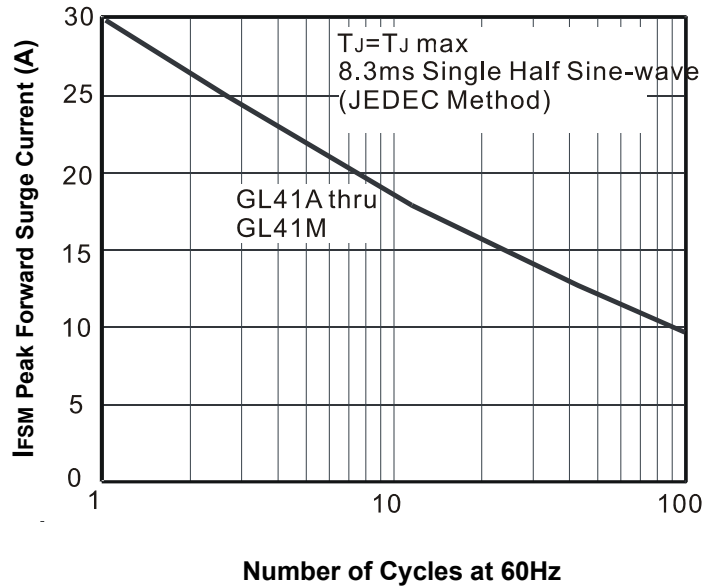


Fig.3- Typical Instantaneous Forward Characteristics

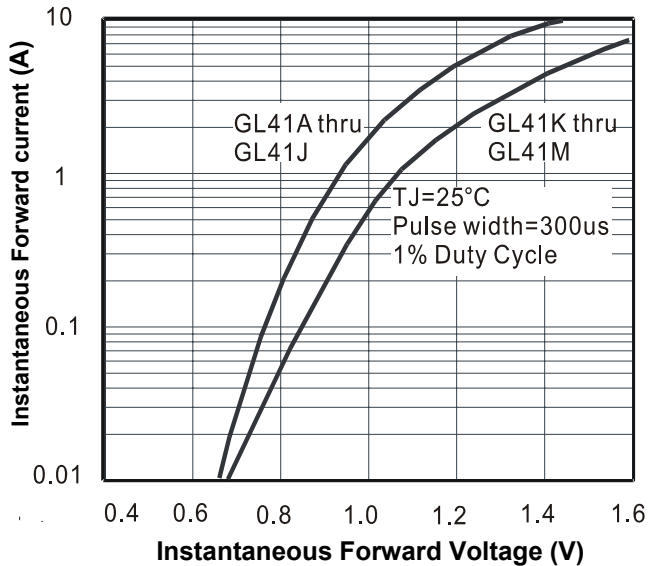
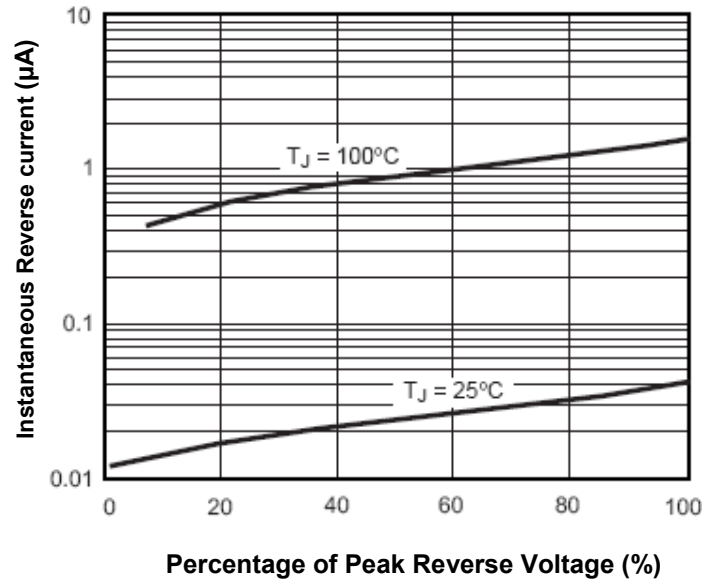
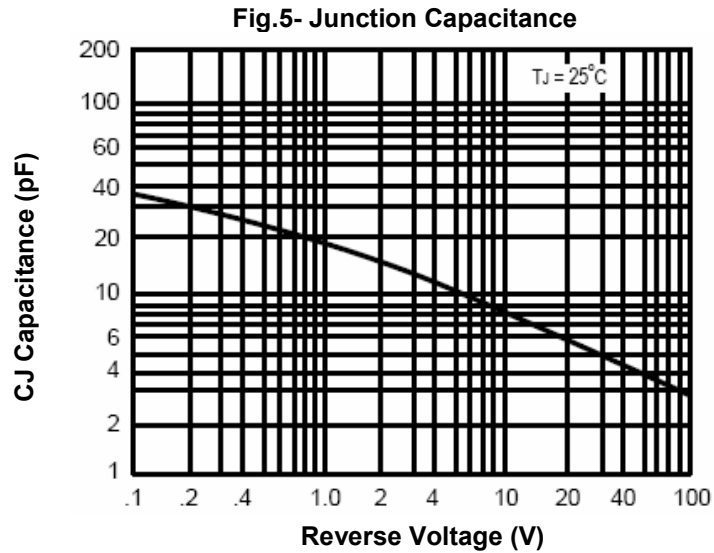


Fig.4- Typical Reverse Characteristics



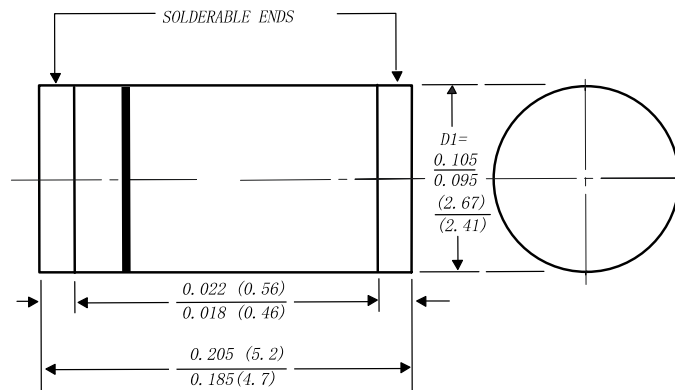
# 1.0 A Surface Mount Glass Passivated Rectifier

GL41A - GL41M



## Dimensions in inch (mm)

### MELF (DO-213AB)

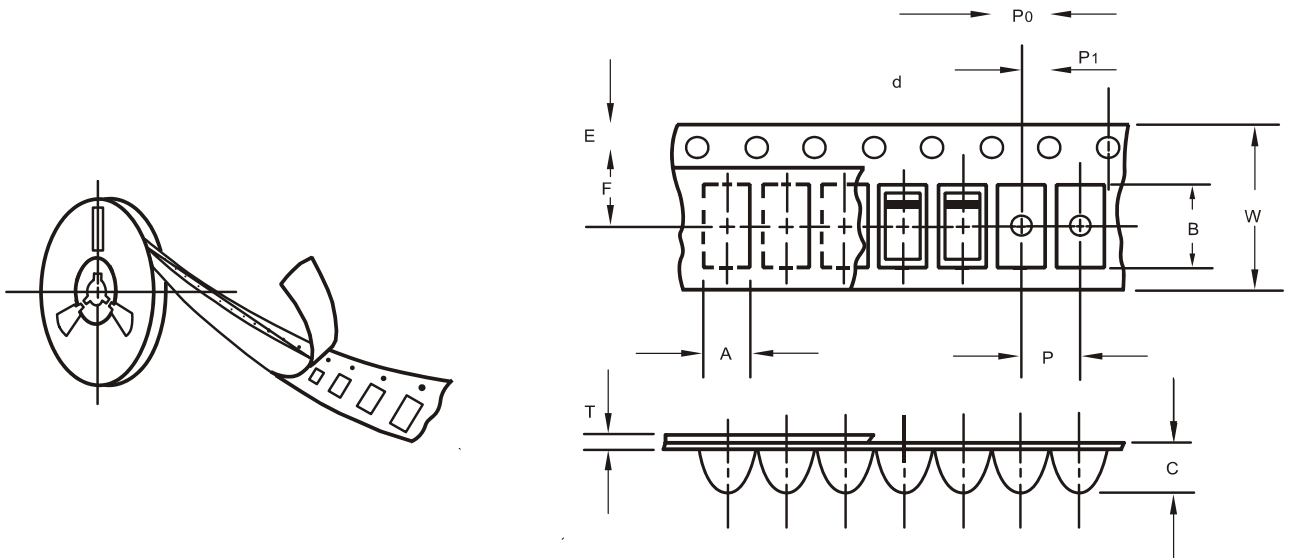


# 1.0 A Surface Mount Glass Passivated Rectifier

## GL41A - GL41M

### Packing Information:

#### Carrier Tape Dimensions (in mm)



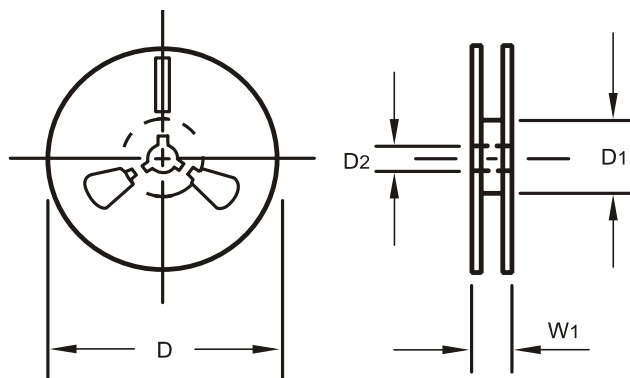
Tape Dimensions	A	B	C	d	E	F	P	P0	P1	W
-TR70	See Note			1.50±0.10	1.75±0.10	5.50±0.10	4.00±0.10	4.00±0.10	2.00±0.10	12.00±0.30
-TR30				1.50±0.10	1.75±0.10	5.50±0.10	4.00±0.10	4.00±0.10	2.00±0.10	12.00±0.30

**Note:** A, B, and C are determined by the maximum dimensions of the component size.

# 1.0 A Surface Mount Glass Passivated Rectifier

GL41A - GL41M

## Reel Dimensions (in mm)



Reel Dimensions	D	D1	D2	W1
-TR70 Tape & Reel	178.0±2.00	62.0±0.05	13.00±0.50	16.80±1.00
-TR30 Tape & Reel	330.0±2.00	50.0±0.05	13.00±0.50	16.80±1.00

## Packing Quantity Information:

Quantity	PCS per Inner Box	PCS per Carton
-TR70 Tape & Reel	1500/Reel	6000
-TR30 Tape & Reel	5000/Reel	10000

## Carton Size Information:

-TR70 Tape & Reel	-TR30 Tape & Reel
430x190x200 ( in mm)	360x360x220 ( in mm)

# 1.0 A Surface Mount Glass Passivated Rectifier

---

GL41A - GL41M

## How to contact us:

### US HEADQUARTERS

28040 WEST HARRISON PARKWAY, VALENCIA, CA 91355-4162

Tel: (800) TAITRON (800) 824-8766 (661) 257-6060

Fax: (800) TAITFAX (800) 824-8329 (661) 257-6415

Email: [taitron@taitroncomponents.com](mailto:taitron@taitroncomponents.com)

Http://[www.taitroncomponents.com](http://www.taitroncomponents.com)

### TAITRON COMPONENTS MEXICO, S.A .DE C.V.

BOULEVARD CENTRAL 5000 INTERIOR 5 PARQUE INDUSTRIAL ATITALAQUIA, HIDALGO C.P.  
42970 MEXICO

Tel: +52-55-5560-1519

Fax: +52-55-5560-2190

### TAITRON COMPONENTS INCORPORATED REPRESENTAÇÕES DO BRASIL LTDA

RUA DOMINGOS DE MORAIS, 2777, 2.ANDAR, SALA 24 SAÚDE - SÃO PAULO-SP 04035-001 BRAZIL

Tel: +55-11-5574-7949

Fax: +55-11-5572-0052

### TAITRON COMPONENTS INCORPORATED, SHANGHAI REPRESENTATIVE OFFICE

CROSS REGION PLAZA, 899 LINGLING ROAD, SUITE 18C, SHANGHAI, 200030, CHINA

Tel: +86-21-5424-9942

Fax: +86-21-5424-9931