



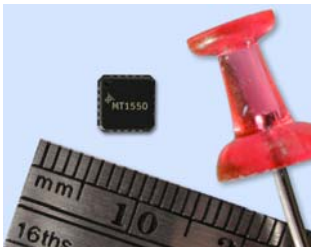
M I C R O T U N E

RF SILICON AND SYSTEMS SOLUTIONS  
FOR BROADBAND COMMUNICATIONS, AUTOMOTIVE ELECTRONICS AND WIRELESS CONNECTIVITY

## MT1550 UPSTREAM AMPLIFIER

### PRODUCT BRIEF

The MT1550 is a 3.3V programmable gain upstream amplifier with integrated anti-aliasing filter.



*MT1550 Upstream Amplifier*

The MT1550 is a low-cost programmable-gain power amplifier IC for use in CATV upstream applications. The Microtune® MT1550 is a 3.3 volt part optimized for the DOCSIS® 1.0, 1.1, 2.0 and Euro-DOCSIS™ upstream standard. An on-chip input anti-aliasing filter is included to reduce external system costs.

The device's specified frequency range is from 5 MHz to 65 MHz, with an output P1dB > 67 dBmV through a 1:1 impedance-ratio transformer. A 3-wire digital serial bus controls the variable gain, with gain control available in 1 dB steps and a nominal 59 dB gain range.

The MT1550 may be disabled via an external control pin. The transmit-disable mode not only minimizes output noise by shutting off the output stage, but also maintains its output impedance at nominal levels. Output transients are nominally less than 16 mVp-p at 61 dBmV output level during transmit enable/disable switching.

Operating from a single 3.3 V supply, the amplifier typically draws 247 mA at maximum gain or minimum attenuation. Additional internal circuitry reduces the amplifier's power consumption depending on gain setting. Transmit-disable mode reduces the typical current draw to 60 mA, while shutdown mode further reduces it to 85  $\mu$ A.

The MT1550 is available in a 20-pin Quad Flat No-Lead (QFN) package with an exposed pad for the extended industrial temperature range of -40°C to +85°C.

## MT1550 APPLICATIONS

- Cable modems
- Telephony over cable
- Set-top box CATV

## FEATURES

- Integrated on-chip anti-aliasing filter
- P1dB of 67 dBmV
- Low power-up/down transients of 16 mV<sub>p-p</sub> typical at 61 dBmV output
- Ultra low third harmonic distortion
- Single 3.3 V supply
- 59 dB gain range
- Gain programmable in 1 dB steps
- Low transmit output noise floor: -50 dBmV in 160 kHz
- Low transmit-disable output noise: -68 dBmV
- Two power-down modes
- DOCSIS 1.0, 1.1, 2.0 and Euro-DOCSIS compatible

M I C R O T U N E

# MT1550 UPSTREAM AMPLIFIER

## PRODUCT BRIEF

### DC ELECTRICAL CHARACTERISTICS

PARAMETER	MIN	TYP	MAX	UNIT
Supply voltage	3.15		3.45	V
Supply current, shutdown mode		85	125	$\mu$ A

#### SUPPLY CURRENT, TRANSMIT MODE, FILTER ENABLED

Gain code = 52 to 63		247		mA
----------------------	--	-----	--	----

#### DIGITAL INPUT

High voltage	2.0			V
Low voltage			0.7	V
Current		0		$\mu$ A

### AC ELECTRICAL CHARACTERISTICS

PARAMETER	MIN	TYP	MAX	UNIT
Output 1dB compression point		70		dBmV
Output step size		1		dB

#### VOLTAGE GAIN

Gain code = 4		-30		dB
Gain code = 63		29		dB

#### GAIN RESPONSE

Fin = 42MHz		1.1		dB
Fin = 65MHz		1.5		dB

#### TXEN

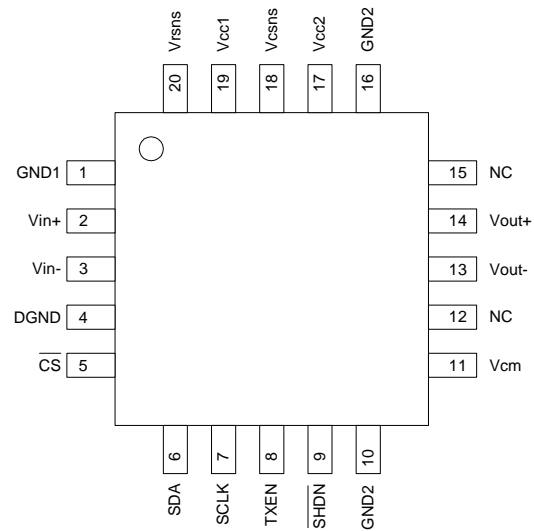
TXEN enable/disable time			5	$\mu$ s
TXEN transient duration		1.5		$\mu$ s
TXEN transient step size, $V_{OUT} = 61$ dBmV		16	64	mVp-p
TXEN transient step size, min gain			7	mVp-p

#### INPUT/OUTPUT

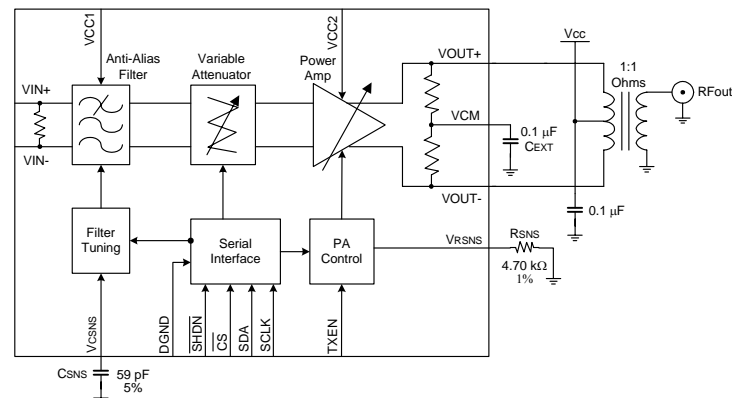
Input impedance		1.55		k $\Omega$
Output return loss, $Z_0 = 75\Omega$		16		dB

### STRESS RATINGS

PARAMETER	MIN	MAX	UNIT
$V_{CC}$ ( $V_{CC1}, V_{CC2}$ )	-0.7	5	V
$V_{OUT+}, V_{OUT-}$	-0.7	5.5	V
Input voltage levels (all inputs), VCM	-0.7	$V_{CC} + 0.7$	V
Junction temperature		+125	$^{\circ}$ C
Storage temperature range	-40	+150	$^{\circ}$ C
Lead temperature (soldering, 4 seconds)		+245	$^{\circ}$ C



MT1550 Pin Diagram



MT1550 Block Diagram



Microtune, Inc., 2201 Tenth Street, Plano, TX 75074, USA

Tel: +1-972-673-1600, Fax: +1-972-673-1602, E-mail: sales@microtune.com, Web site: [www.microtune.com](http://www.microtune.com)

For a detailed list of design centers, sales offices, and sales representatives, visit our Web site at [www.microtune.com](http://www.microtune.com).

The information in this document is believed to be accurate and reliable. Microtune assumes no responsibility for any consequences arising from the use of this information, nor from any infringement of patents or the rights of third parties which may result from its use. No license is granted by implication or otherwise under any patent or other rights of Microtune. The information in this publication replaces and supersedes all information previously supplied, and is subject to change without notice. The customer is responsible for assuring that proper design and operating safeguards are observed to minimize inherent and procedural hazards. Microtune assumes no responsibility for applications assistance or customer product design.

The devices described in this document are not authorized for use in medical, life-support equipment, or any other application involving a potential risk of severe property or environmental damage, personal injury, or death without prior express written approval of Microtune. Any such use is understood to be entirely at the user's risk.

Microtune is a registered trademark of Microtune, Inc. MicroTuner, MicroStreamer, VideoCaster, DataCaster, and the Microtune logo are trademarks of Microtune, Inc. All other trademarks belong to their respective companies.

Microtune's products are protected by one or more of the following U.S. patents: DE10011662; GB1026825; ES1026825; DE19628727; DE19904588.7-09; DE348698; FR348698; GB348698; IT348698; DE3821716; US5,933,946; DE50000802.7-08; DE552624 and additional patents pending or filed.