

GOG6xx04C

THREE PHASE AC-DC BRIDGE

Fuse protection
Blown fuse indicators with microswitch
Over temperature switches
Fan loss detection circuit
Snubber for SCR's protections
Compact design

LINE VOLTAGE UP TO 500V
DC OUTPUT CURRENT 400A

GOG64004C GOG65004C

| | | |
|----------------------|------------|------------|
| Line to line voltage | 400 | 500 |
|----------------------|------------|------------|

| Characteristic | | Conditions | Value | Value | |
|------------------------|--------------------|------------|--------|--------|--|
| I _{DC} | DC output current | | 400 A | 400 A | |
| V _{INS} (rms) | Insulation voltage | | 3000 V | 3000 V | |
| | | | | | |

THYRISTOR TRIGGERING CHARACTERISTICS

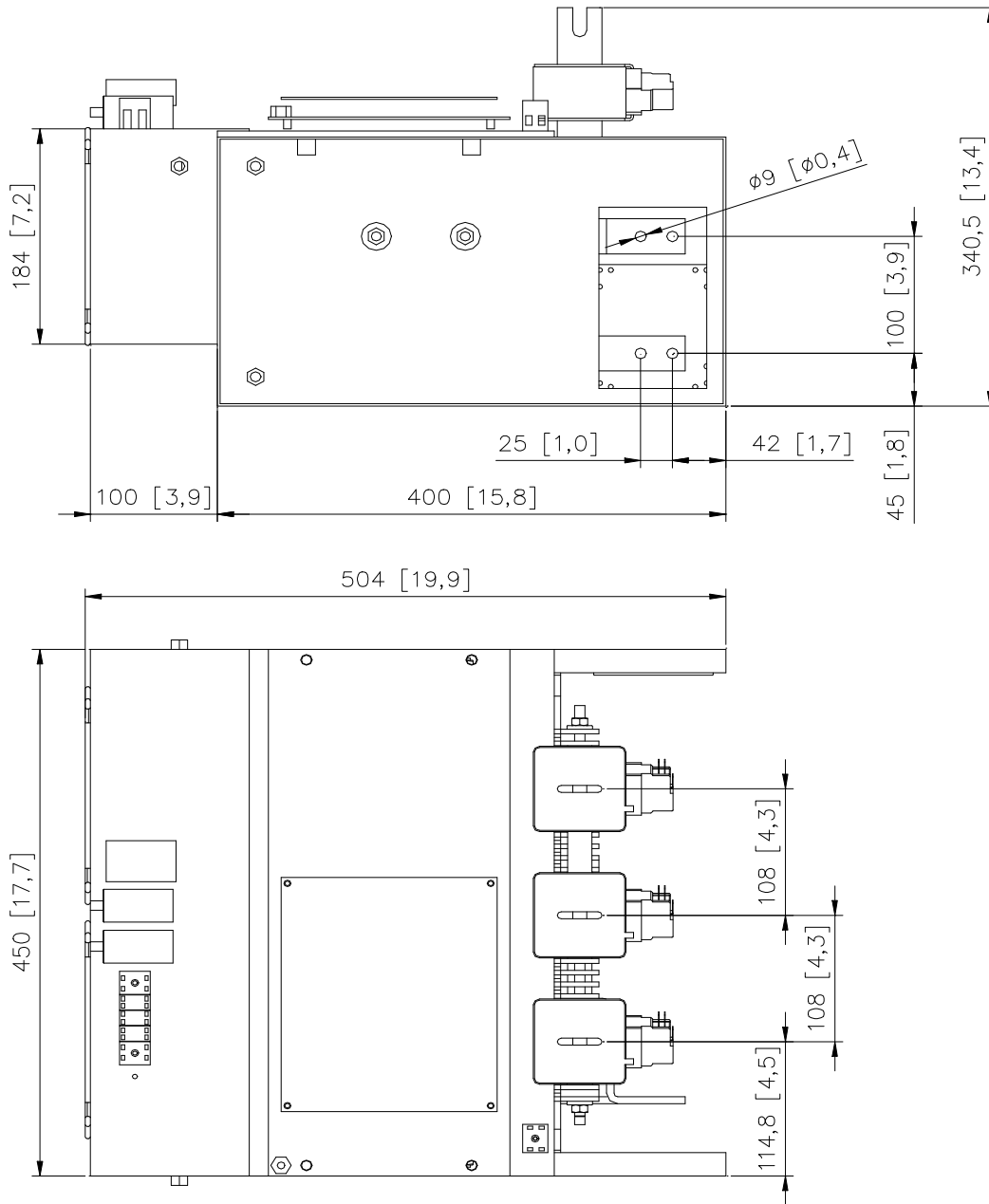
| | | | | | |
|------------------|---|--|-----------|-----------|--|
| V _{GT} | Gate trigger voltage | T _j = 25 °C, V _D = 5 V | 3 V | 3 V | |
| I _{GT} | Gate trigger current | T _j = 25 °C, V _D = 5 V | 300 mA | 300 mA | |
| dV/dt | Critical rate of rise off-state voltage | T _j = 125 °C | 1000 V/us | 1000 V/us | |
| V _{RRM} | Blocking Voltage | T _j = 125 °C | 1200 V | 1600 V | |

FUSE TYPE SIBA 2062432.450

| | | | | | |
|------------------|------------------------|------------------|----------|----------|--|
| V _{NF} | Rated voltage | | 690 V | 690 V | |
| I _{NF} | Rated current | | 450 A | 450 A | |
| P _{VF} | Power loss | At rated current | 75 W | 75 W | |
| I ² t | Total I ² t | At 660V | 110 kA2s | 110 kA2s | |
| | | | | | |

MECHANICAL AND THERMAL CHARACTERISTICS

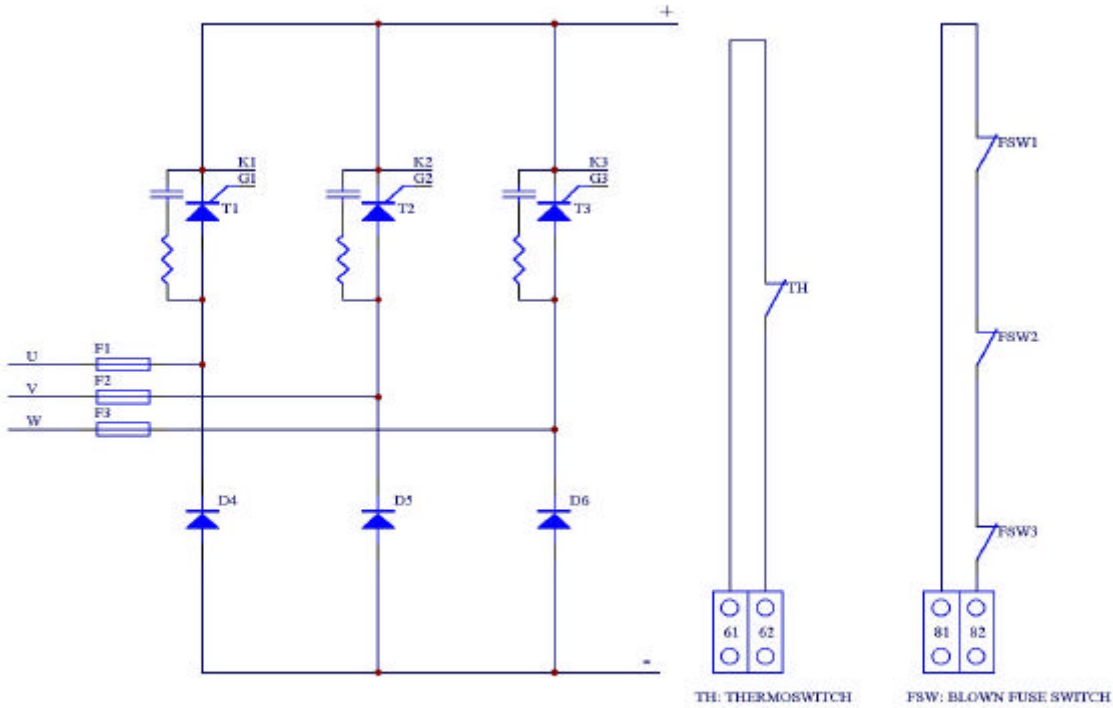
| | | | | | |
|--------------------|---------------------|--|-------------|-------------|--|
| | Width | | 400 mm | 450 mm | |
| | Depth | | 340 mm | 340,5 mm | |
| | Height | | 500 mm | 500 mm | |
| | Mass | | 30 Kg | 30 Kg | |
| T _a max | Max amb. op. Temp. | | 40 °C | 40 °C | |
| T _{stg} | Storage temperature | | -40/ +60 °C | -40/ +60 °C | |
| | | | | | |



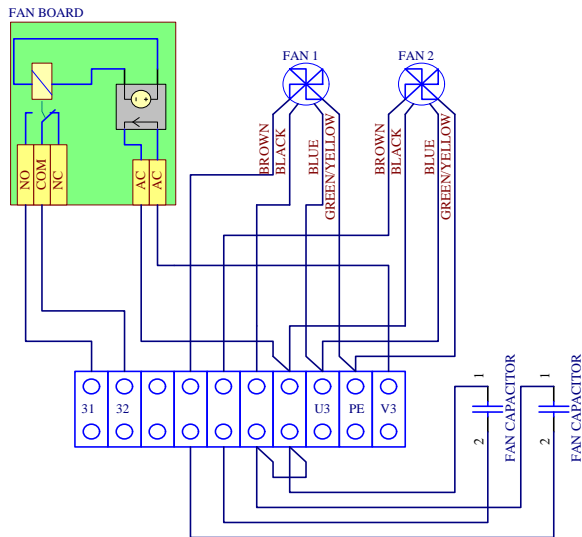
The part numbering system is reported at the beginning of the Open Assembly section.

Customisations are available on request. Please contact factory.

In the interest of product improvement Green Power Solutions reserves the right to change any specification given in this data sheet without notice.



61-62: THERMOSWITCH CIRCUIT CONNECTION
81-82: BLOWN FUSE SWITCH CIRCUIT CONNECTION



U3-V3: MAIN SUPPLY
PE: GROUND CONNECTION (GND)
31-32: FAN BOARD CONTACT (CLOSED WHEN FAN RUNNING)

Cooling:

- Fan type: single phase axial
- Number of fans: 2
- Voltage: 230 V
- Current: 0.4 A
- Frequency: 50/60 Hz
- Noise: 62 dBA

In the interest of product improvement Green Power Solutions reserves the right to change any specification given in this data sheet without notice.