

# Boost and Inverting DC/DC Converter for CCD Bias

## FEATURES

- Generates 15V at 20mA, -8V at 50mA from a Li-Ion Cell
- Internal Schottky Diodes
- $V_{IN}$  Range: 2.2V to 16V
- Output Voltages Up to  $\pm 34V$
- Capacitor-Programmable Soft-Start
- Sequencing: Positive Output Reaches 88% of Final Value Before Negative Output Begins
- Requires Only One Resistor to Set Output Voltage
- Constant Switching Frequency Ensures Low Noise Outputs
- Available in a 10-Lead (3mm  $\times$  3mm) DFN Package

## APPLICATIONS

- CCD Bias
- TFT LCD Bias
- OLED Bias
- $\pm$  Rail Generation for Op Amps

LT, LTC and LT are registered trademarks of Linear Technology Corporation.

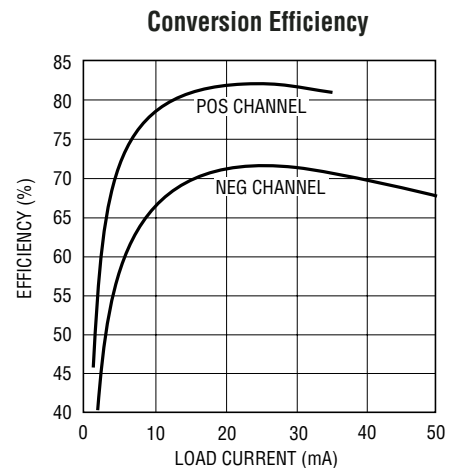
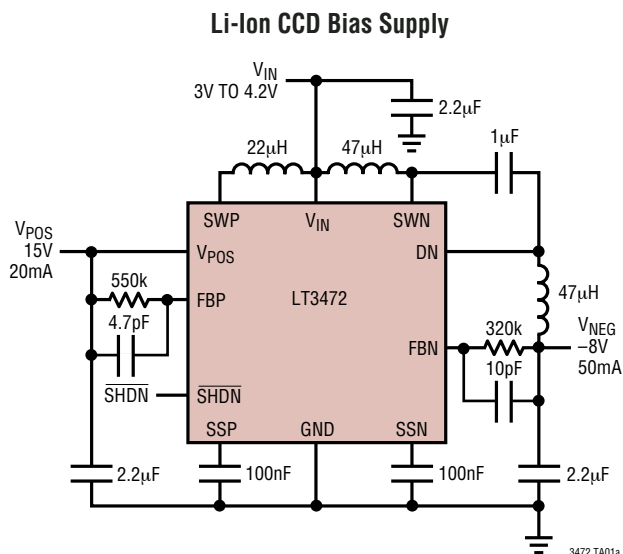
## DESCRIPTION

The LT<sup>®</sup>3472 dual channel switching regulator generates positive and negative outputs for biasing CCD imagers. The device delivers up to -8V at 50mA and 15V at 20mA from a lithium-ion cell, providing bias for many popular CCD imagers. Switching at 1.1MHz, the LT3472 uses tiny, low profile capacitors and inductors and generates low noise outputs that are easy to filter. Schottky diodes are internal and the output voltages are set with one resistor per channel, reducing external component count. The entire solution is less than 1mm profile and occupies just 50mm<sup>2</sup>.

Internal sequencing circuitry disables the negative channel until the positive channel has reached 88% of its final value, ensuring that the sum of the two outputs is always positive. Separate soft-start capacitors for each output allow the ramp of each output to be independently controlled.

The LT3472 is available in a low profile (0.75mm) 10-pin 3mm  $\times$  3mm DFN package.

## TYPICAL APPLICATION



## ABSOLUTE MAXIMUM RATINGS

(Note 1)

$V_{IN}$ , $\overline{SHDN}$ Voltage .....	16V
SWP, SWN, $V_{POS}$ Voltage .....	36V
DN Voltage .....	-36V
FBP, FBN, SSP, SSN Voltage .....	10V
Maximum Junction Temperature .....	125°C
Operating Temperature Range	
Extended Commercial .....	-40°C to 85°C
Storage Temperature Range .....	-65°C to 125°C

## PACKAGE/ORDER INFORMATION

<p>DD PACKAGE 10-LEAD (3mm x 3mm) PLASTIC DFN <math>T_{JMAX} = 125^{\circ}\text{C}</math>, <math>\theta_{JA} = 43^{\circ}\text{C/W}</math>, <math>\theta_{JC} = 3^{\circ}\text{C/W}</math> EXPOSED PAD IS GND (PIN 11) MUST BE SOLDERED TO PCB</p>	ORDER PART NUMBER
	LT3472EDD
	DFN PART MARKING
	LBGC

Consult LTC Marketing for parts specified with wider operating temperature ranges.

## ELECTRICAL CHARACTERISTICS

The ● denotes the specifications which apply over the full operating temperature range, otherwise specifications are at  $T_A = 25^{\circ}\text{C}$ .  $V_{IN} = 3\text{V}$ ,  $\overline{SHDN} = 3\text{V}$  unless otherwise noted.

PARAMETER	CONDITIONS	MIN	TYP	MAX	UNITS
Minimum Operation Voltage		2.2			V
Maximum Operation Voltage				16	V
Supply Current	$\overline{SHDN} = 3\text{V}$ , Not Switching $\overline{SHDN} = 0\text{V}$		2.8 0.1	1	mA $\mu\text{A}$
$\overline{SHDN}$ Voltage High		● 0.8			V
$\overline{SHDN}$ Voltage Low				● 0.3	V
$\overline{SHDN}$ Pin Bias Current	$\overline{SHDN} = 3\text{V}$		35		$\mu\text{A}$
Positive Feedback Voltage		● 1.2	1.25	1.3	V
Negative Feedback Voltage		● -5	0	5	mV
Positive Feedback Voltage Line Regulation			0.01		%/V
Negative Feedback Voltage Line Regulation			0.008		mV/V
FBP Current	$\text{FBP} = V_{\text{FBP}}$	● 24.5	25	25.3	$\mu\text{A}$
FBN Current	$\text{FBN} = V_{\text{FBN}}$	● 24.5	25	25.3	$\mu\text{A}$
FBP to Start Negative Channel		1.02	1.1	1.18	V
Switching Frequency		0.9	1.1	1.4	MHz
Maximum Duty Cycle (Both Channels)		● 88	92		%
Positive Channel Switch Current Limit		● 250	350		mA
Negative Channel Switch Current Limit		● 300	400		mA
Positive Channel Switch $V_{\text{CESAT}}$	$I_{\text{SWP}} = 200\text{mA}$		245		mV
Negative Channel Switch $V_{\text{CESAT}}$	$I_{\text{SWN}} = 200\text{mA}$		400		mV
Switch Leakage Current (Both Channels)	$V_{\text{SW}} = 5\text{V}$		0.01	5	$\mu\text{A}$
Schottky DP Forward Drop	$I_{\text{DP}} = 150\text{mA}$		700	950	mV
Schottky DN Forward Drop	$I_{\text{DN}} = 150\text{mA}$		750	1000	mV
Schottky Leakage Current (Both Channels)	$V_{\text{R}} = 36\text{V}$			4	$\mu\text{A}$

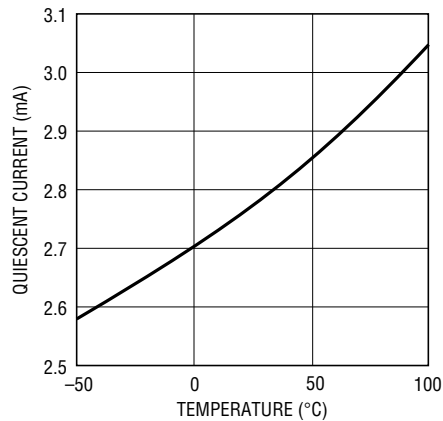
**Note 1:** Absolute Maximum Ratings are those values beyond which the life of a device may be impaired.

**Note 2:** The LT3472E is guaranteed to meet specified performance from

0°C to 70°C. Specifications over the -40°C to 85°C operating range are assured by design, characterization and correlation with statistical process controls.

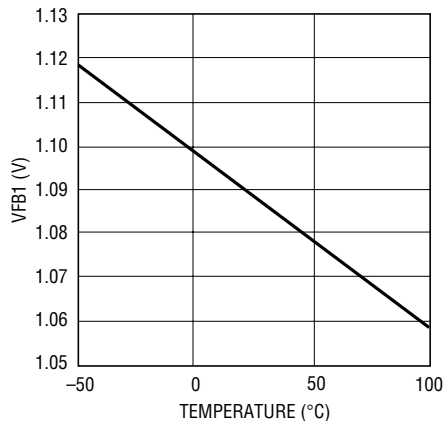
# TYPICAL PERFORMANCE CHARACTERISTICS

**Quiescent Current**



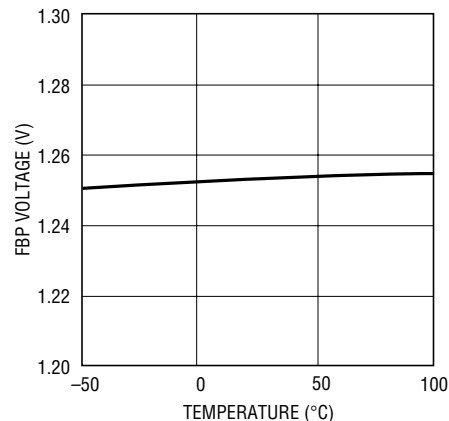
3472 G01

**Minimum FBP Voltage to Enable Inverter**



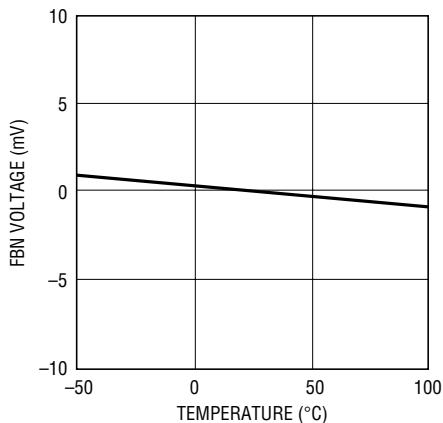
3472 G02

**FBP Voltage**



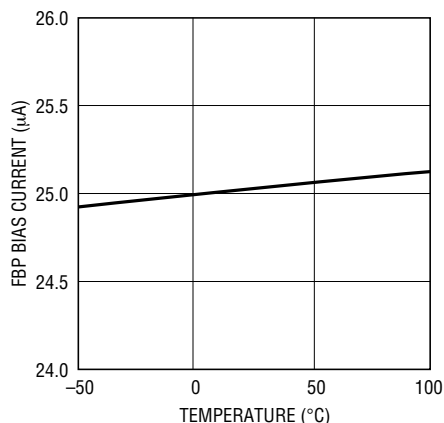
3472 G03

**FBN Voltage**



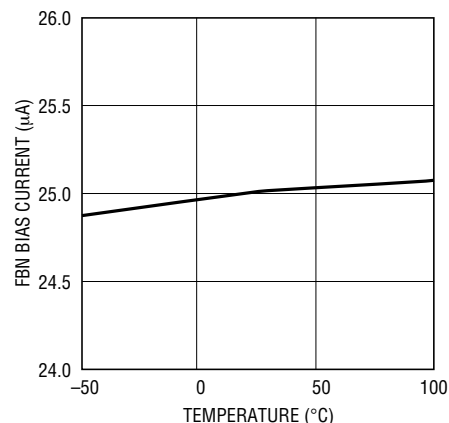
3472 G04

**FBP Bias Current**



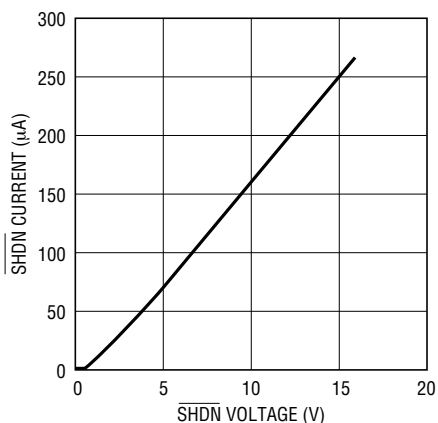
3472 G05

**FBN Bias Current**



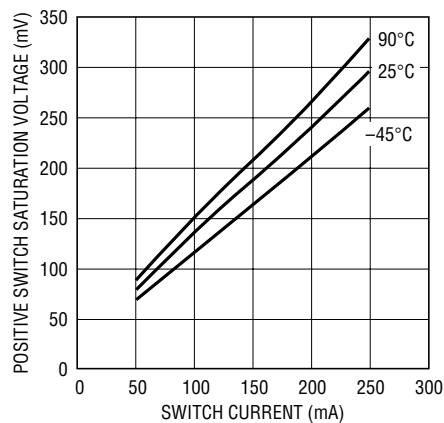
3472 G06

**SHDN Pin Bias Current**



3472 G07

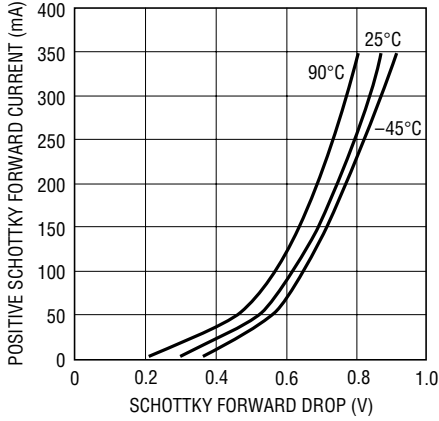
**Positive Channel Switch V<sub>CESAT</sub>**



3472 G08

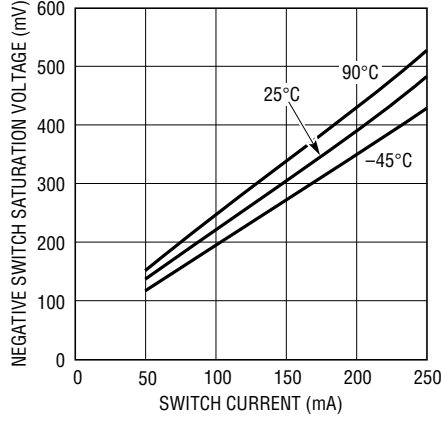
# TYPICAL PERFORMANCE CHARACTERISTICS

**Positive Channel Schottky I-V Characteristic**



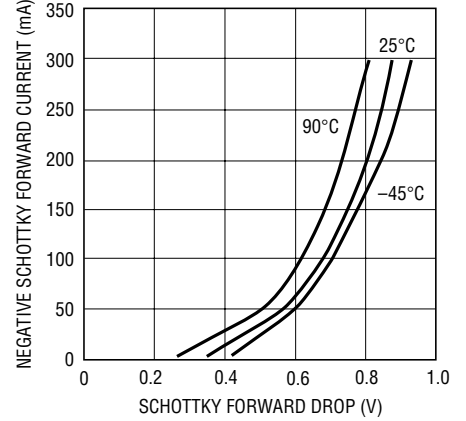
3472 G09

**Negative Channel Switch  $V_{CESAT}$**



3472 G10

**Negative Channel Schottky I-V Characteristic**



3472 G11

## PIN FUNCTIONS

**SWP (Pin 1):** Switch Pin for Positive (Boost) Channel. Connect boost inductor here.

**V<sub>IN</sub> (Pin 2):** Input Supply Pin. Must be locally bypassed with a X5R or X7R type ceramic capacitor.

**SHDN (Pin 3):** Shutdown Pin. Connect to 0.8V or higher to enable device, 0.3V or less to disable device.

**SWN (Pin 4):** Switch Pin for Negative (Inverter) Channel. Connect inverter input inductor and flying capacitor here.

**DN (Pin 5):** Anode of Internal Schottky for Inverter. Connect inverter output inductor and flying capacitor here.

**FBN (Pin 6):** Feedback Pin for Inverter. Connect feedback resistor R2 from this pin to V<sub>O2</sub>. Choose R2 according to  $V_{O2} = 1.25 \cdot R2/50k$ . Pin voltage = 0V when regulated.

**SSN (Pin 7):** Soft Start-Up Pin for Inverter. Connect a cap here for soft start-up. Leave open for quick start-up. This pin is connected to 1.25V with a 50k resistor internally.

**FBP (Pin 8):** Feedback Pin for Boost. Connect boost feedback resistor R1 from this Pin to V<sub>O1</sub>. Choose R1 according to  $V_{O1} = 1.25 \cdot (1 + R1/50k)$ . Pin voltage = 1.25V when regulated.

**SSP (Pin 9):** Soft Start-Up Pin for Boost. Connect a cap here for soft start-up. Leave open for quick start-up. This pin is connected to 1.25V with a 50k resistor internally.

**V<sub>POS</sub> (Pin 10):** Output Pin for Boost. Connect boost output capacitor here.

**GND (Exposed Pad) (Pin 11):** GND Pin. Tie directly to ground plane through multiple vias under the package for optimum thermal performance.

## BLOCK DIAGRAM

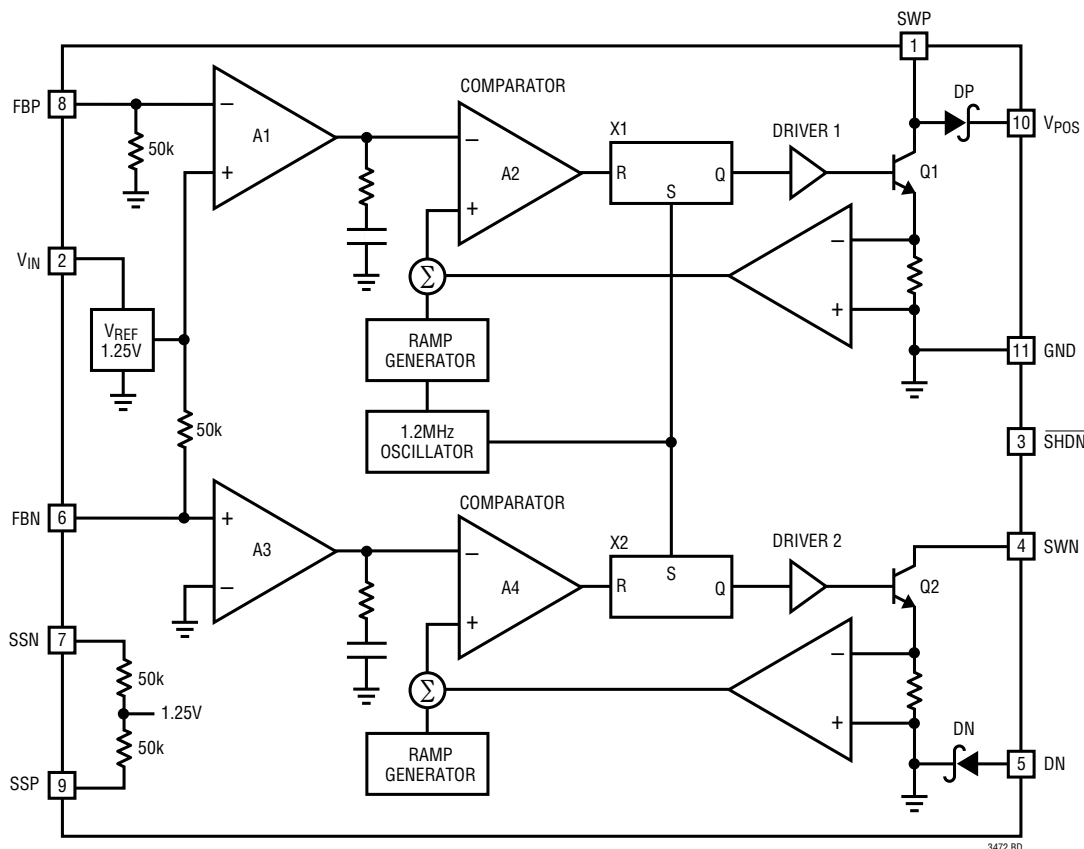


Figure 1. LT3472 Block Diagram

## APPLICATIONS INFORMATION

### Operation

The LT3472 uses a constant frequency, current mode control scheme to provide excellent line and load regulation. Operation can be best understood by referring to the block diagram in Figure 1. At the start of each oscillator cycle, the SR latch X1 is set, which turns on the power switch Q1. A voltage proportional to the switch current is added to a stabilizing ramp and the resulting sum is fed into the positive terminal of the PWM comparator A2. When this voltage exceeds the level at the negative input of A2, the SR latch X1 is reset turning off the power switch Q1. The level at the negative input of A2 is set by the error amplifier A1, and is simply an amplified version of the difference between the feedback voltage and the reference voltage of 1.25V. In this manner, the error amplifier sets the correct peak current level to keep the output in regulation. If the error amplifier's output increases, more current is delivered to the output; if it decreases, less current is delivered. The second channel is an inverting converter. The basic operation is the same as the positive channel. The SR latch X2 is also set at the start of each oscillator cycle. The power switch Q2 is turned on at the same time as Q1. The turn off of Q2 is determined by its own feedback loop, which consists of error amplifier A3 and PWM comparator A4. The reference voltage of this negative channel is ground.

Switching waveforms with typical load conditions are shown in Figure 2.

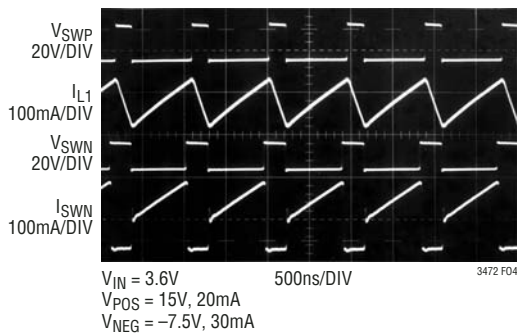


Figure 2. Switching Waveforms

### Inductor Selection

A 22 $\mu$ H inductor is recommended for LT3472 step-up channel. The inverter channel can use a 22 $\mu$ H or 47 $\mu$ H inductor. 47 $\mu$ H inductors will provide slightly more current. Small size and high efficiency are the major concerns for most LT3472 applications. Inductors with low core losses and small DCR (copper wire resistance) at 1.1MHz are good choices for LT3472 applications. Some inductors in this category with small size are listed in Table 1. The efficiency comparison of different inductors is shown in Figure 3.

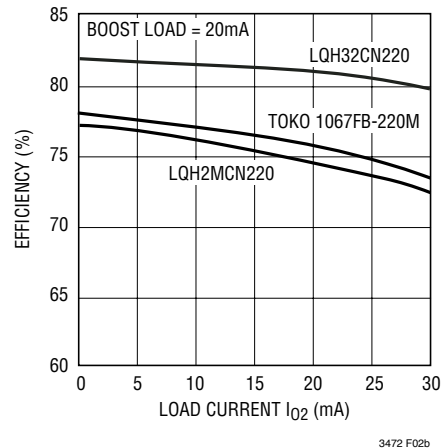
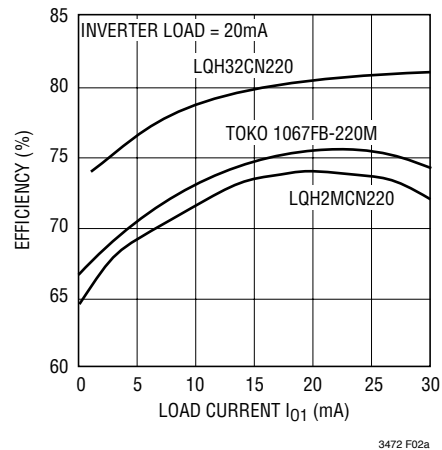


Figure 3. Efficiency Comparison of Different Inductors

## APPLICATIONS INFORMATION

**Table 1. Recommended Inductors**

Part No.	Inductance (μH)	DCR (Ω)	Current Rating (mA)	Manufacturer
LQH32CN220	22	0.71	250	Murata
LQH32CN470	47	1.3	170	(814) 237-1431
LQH2MCN220	22	2.1	185	www.murata.com
LQH2MCN470	47	5.1	120	
D1067FB-220M	22	2.0	270	TOKO
				(408) 432-8281
				www.tokoam.com
ELJPC220KF	22	4.0	160	Panasonic
				(714) 373-7334
				www.panasonic.com
CDRH3D16-220	22	0.53	350	Sumida
				(847) 956-0666
				www.sumida.com
LB2012B220M	22	1.7	75	Taiyo Yuden
LEM2520-220	22	5.5	125	(408) 573-4150
				www.t-yuden.com

### Capacitor Selection

The small size of ceramic capacitors makes them suitable for LT3472 applications. X5R and X57 types of ceramic capacitors are recommended because they retain their capacitance over wider voltage and temperature ranges than other types such as Y5V or Z5U. A 2.2μF input capacitor and a 2.2μF output capacitor are sufficient for most LT3472 applications.

**Table 2. Recommended Ceramic Capacitor Manufacturers**

Manufacturer	Phone	URL
Taiyo Yuden	(408) 573-4150	www.t-yuden.com
Murata	(814) 237-1431	www.murata.com
Kemet	(408) 986-0424	www.kemet.com

### Inrush Current

The LT3472 uses internal Schottky diodes. When supply voltage is abruptly applied to V<sub>IN</sub> pin, for the positive channel, the voltage difference between V<sub>IN</sub> and V<sub>POS</sub> generates inrush current flowing from input through the inductor L<sub>P</sub> and the internal Schottky diode D<sub>P</sub> to charge the output capacitor C<sub>OP</sub>. For the inverter channel, there is a similar inrush current flowing from input through the inductor L<sub>N1</sub> path, charging the capacitor C<sub>NF</sub>, and returning through the internal Schottky diode D<sub>N</sub>. The maximum current the Schottky diodes in the LT3472 can sustain is

1A. The selection of inductor and capacitor value should ensure the peak of the inrush current to be below 1A. The peak inrush current can be calculated as follows:

$$I_P = \frac{V_{IN} - 0.6}{L \cdot \omega} \cdot \text{EXP} \left[ -\frac{\alpha}{\omega} \cdot \arctan \left( \frac{\omega}{\alpha} \right) \right] \cdot \text{SIN} \left[ \arctan \left( \frac{\omega}{\alpha} \right) \right]$$

$$\alpha = \frac{r + 1.5}{2 \cdot L}$$

$$\omega = \sqrt{\frac{1}{L \cdot C} - \frac{r}{4 \cdot L^2}}$$

where L is the inductance, r is the resistance of the inductor and C is the output capacitance. For low DCR inductors, which is usually the case for this application, the peak inrush current can be simplified as follows:

$$I_P = \frac{V_{IN} - 0.6}{L \cdot \omega} \cdot \text{EXP} \left( -\frac{\alpha}{\omega} \cdot \frac{\pi}{2} \right)$$

Table 3 gives inrush peak currents for some component selections. Note that inrush current is not a concern if the input voltage rises slowly.

**Table 3. Inrush Peak Current**

V <sub>IN</sub> (V)	r (Ω)	L (μH)	C (μF)	I <sub>P</sub> (A)
5	0.5	22	2.2	0.89
3.6	0.7	22	2.2	0.59
3.6	2.1	22	2.2	0.46
3.6	1.3	47	1	0.32
3.6	0.7	22	1	0.46

### External Diode Selection

As stated previously the LT3472 has internal Schottky diodes. The Schottky diode D<sub>P</sub> is sufficient for most step-up applications. However, for high current inverter applications, a properly selected external Schottky diode in parallel with D<sub>N</sub> can improve efficiency. For external diode selection, both forward voltage drop and diode capacitance need to be considered. Schottky diodes rated for higher current usually have lower forward voltage drop

## APPLICATIONS INFORMATION

and larger capacitance, which can cause significant switching losses at 1.1MHz switching frequency. Some recommended Schottky diodes are listed in Table 4.

**Table 4. Recommended Schottky Diodes**

Part No.	Forward Current (mA)	Forward Voltage Drop (V)	Diode Capacitance (pF)	Manufacturer
CMDSH-3	100	0.58 @ 100mA	7 @ 10V	Central Semiconductor (631) 435-1110 www.centalsemi.com
CMDSH2-3	200	0.49 @ 200mA	15 @ 10V	

### Setting the Output Voltages

The LT3472 has an accurate feedback resistor of 50k for each channel. Only one resistor is needed to set the output voltage for each channel. The output voltage can be set according to the following formulas:

$$V_{POS} = 1.25 \cdot \left( 1 + \frac{R1}{50k} \right)$$

$$V_{NEG} = -1.25 \cdot \left( \frac{R2}{50k} \right)$$

In order to maintain accuracy, high precision resistors are preferred (1% is recommended).

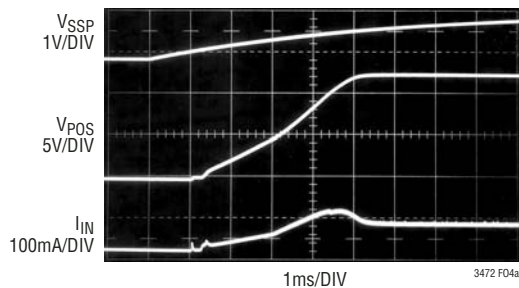
### Soft-Start

The LT3472 has independent soft-start control for each channel. As shown in Figure 1, the SSP and SSN pins have an internal resistor of 50k pulling up to 1.25V, respectively. By connecting a capacitor from the SSP or SSN pin to ground, the ramp of each output can be programmed individually. If SSP or SSN is open or pull higher than 1.25V, the corresponding output will ramp up quickly. The waveforms with and without soft-start for the Boost channel are shown in Figure 4.

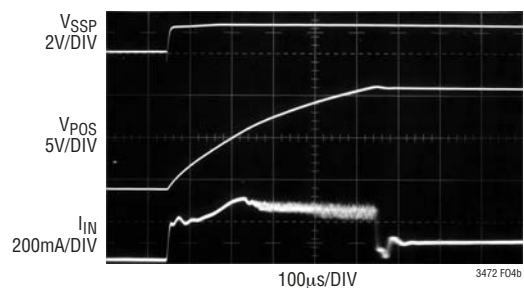
The waveforms with and without soft-start for the negative channel are shown in Figure 5.

### Start Sequencing

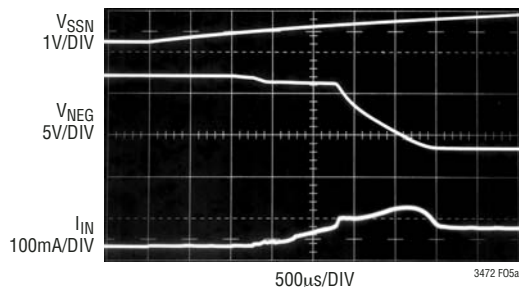
The LT3472 has internal sequencing circuitry that inhibits the negative channel from operating until feedback voltage of the step-up channel reaches about 1.1V, ensuring that



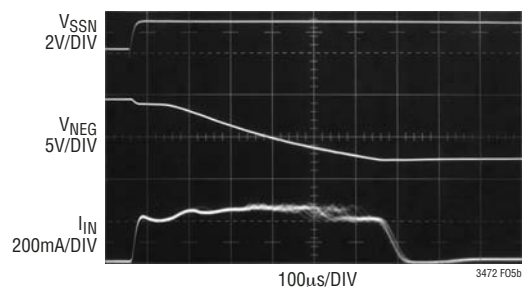
**Figure 4a.  $V_{SSP}$ ,  $V_{POS}$ ,  $I_{IN}$  with 100nF on SSP**



**Figure 4b.  $V_{SSP}$ ,  $V_{POS}$ ,  $I_{IN}$  with SSP Open**



**Figure 5a.  $V_{SSN}$ ,  $V_{NEG}$ ,  $I_{IN}$  with 100nF on SSN**



**Figure 5b.  $V_{SSN}$ ,  $V_{NEG}$ ,  $I_{IN}$  with SSN Open**



## APPLICATIONS INFORMATION

the sum of the two outputs is always positive. The sequencing is shown in Figure 6.

### Board Layout Consideration

As with all switching regulators, careful attention must be paid to the PCB board layout and component placement. To maximize efficiency, switch rise and fall times are made as short as possible. To prevent electromagnetic interfer-

ence (EMI) problems, proper layout of the high frequency switching path is essential. The voltage signals of the SWP and SWN pins have rise and fall times of a few ns. Minimize the length and area of all traces connected to the SWP and SWN pins and always use a ground plane under the switching regulator to minimize interplane coupling. Recommended component placement is shown in Figure 7.

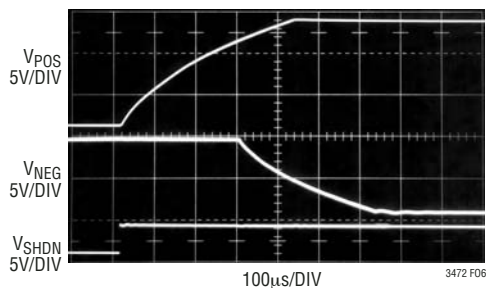


Figure 6. Start-Up Sequencing

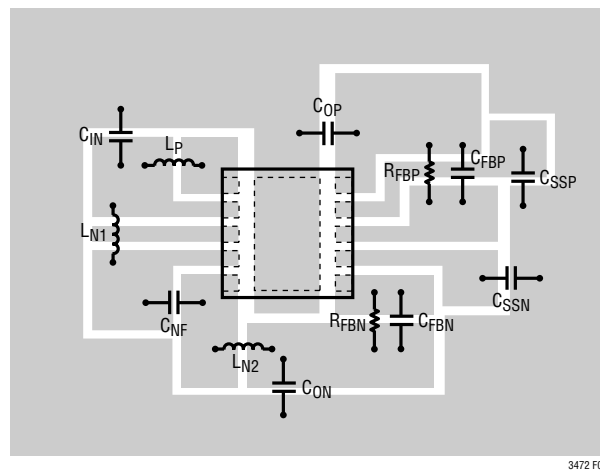
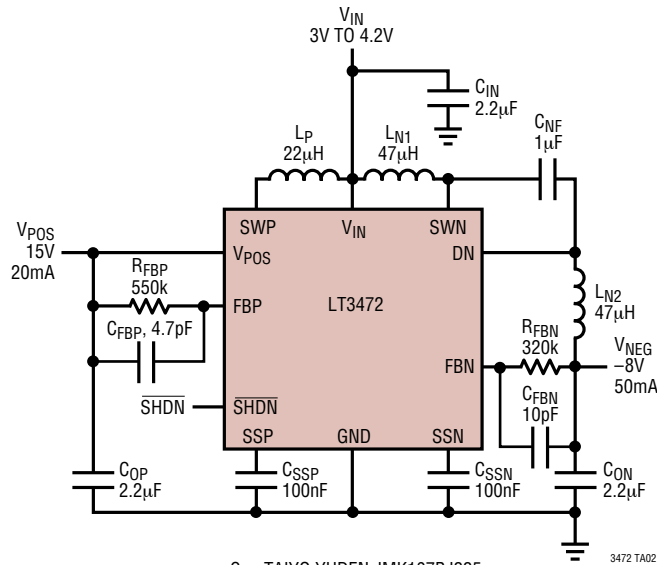


Figure 7. Recommended Component Placement

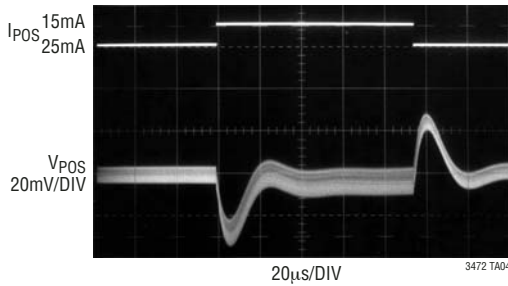
## TYPICAL APPLICATIONS



CIN: TAIYO YUDEN JMK107BJ225  
 COP: TAIYO YUDEN EMK316BJ225  
 C1NF: TAIYO YUDEN EMK212BJ105  
 CON: TAIYO YUDEN LMK212BJ225  
 LP: MURATA LQH32CN220  
 LN1, LN2: MURATA LQH32CN470

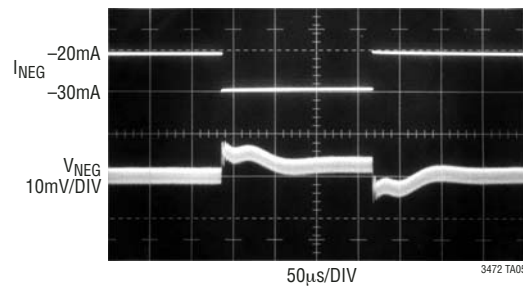
3472 TA02

**V<sub>POS</sub> Load Step Response**



3472 TA04

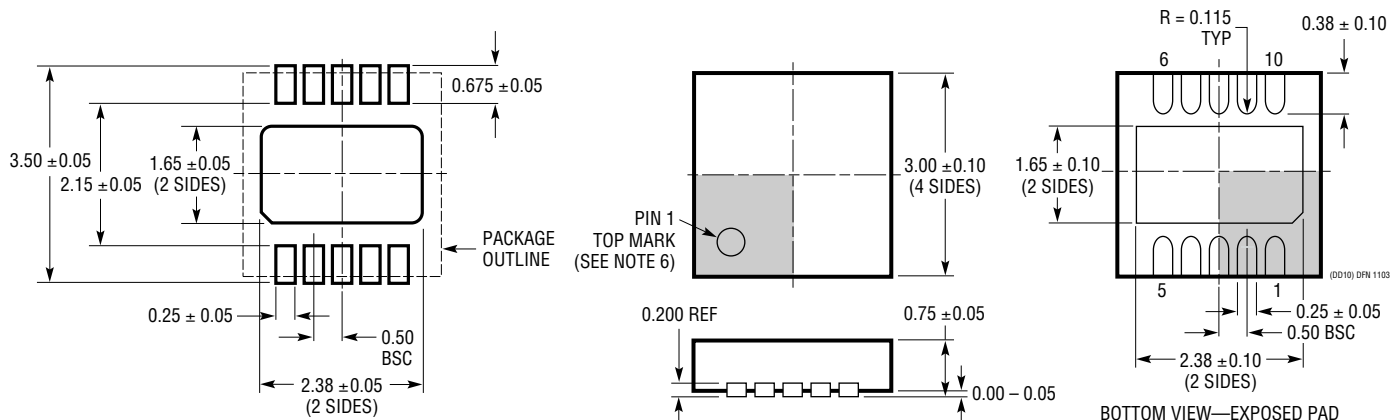
**V<sub>NEG</sub> Load Step Response**



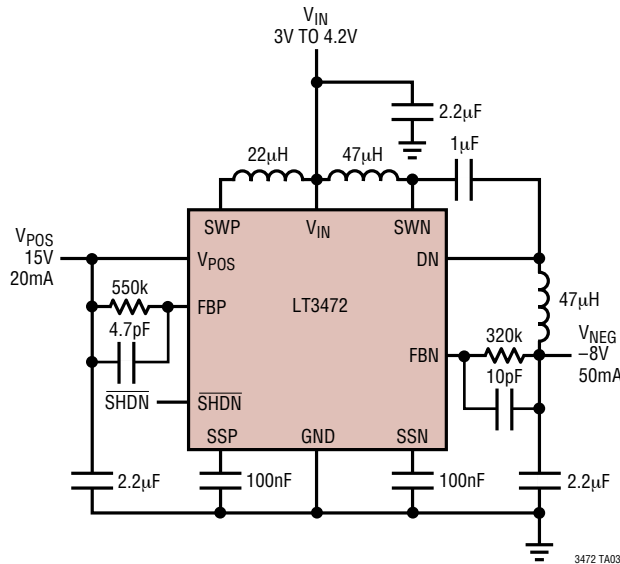
3472 TA05

# PACKAGE DESCRIPTION

## DD Package 10-Lead Plastic DFN (3mm × 3mm) (Reference LTC DWG # 05-08-1699)



**TYPICAL APPLICATION**



**RELATED PARTS**

PART NUMBER	DESCRIPTION	COMMENTS
LT1611	550mA ( $I_{SW}$ ), 1.4MHz, High Efficiency Micropower Inverting DC/DC Converter	$V_{IN}$ : 1.1V to 10V, $V_{OUT(MAX)}$ = -34V, $I_Q$ = 3mA, $I_{SD}$ < 1µA, ThinSOT Package
LT1615/LT1615-1	300mA/80mA ( $I_{SW}$ ), High Efficiency Step-Up DC/DC Converter	$V_{IN}$ : 1V to 15V, $V_{OUT(MAX)}$ = 34V, $I_Q$ = 20µA, $I_{SD}$ < 1µA, ThinSOT Package
LT1617/LT1617-1	350mA/100mA ( $I_{SW}$ ), High Efficiency Micropower Inverting DC/DC Converter	$V_{IN}$ : 1.2V to 15V, $V_{OUT(MAX)}$ = -34V, $I_Q$ = 20µA, $I_{SD}$ < 1µA, ThinSOT Package
LT1930/LT1930A	1A ( $I_{SW}$ ), 1.2MHz/2.2MHz, High Efficiency Step-Up DC/DC Converter	$V_{IN}$ : 2.6V to 16V, $V_{OUT(MAX)}$ = 34V, $I_Q$ = 4.2mA/5.5mA, $I_{SD}$ < 1µA, ThinSOT Package
LT1931/LT1931A	1A ( $I_{SW}$ ), 1.2MHz/2.2MHz, High Efficiency Micropower Inverting DC/DC Converter	$V_{IN}$ : 2.6V to 16V, $V_{OUT(MAX)}$ = -34V, $I_Q$ = 5.8mA, $I_{SD}$ < 1µA, ThinSOT Package
LT1944/LT1944-1	Dual Output, 350mA/100mA ( $I_{SW}$ ), Constant Off-Time, High Efficiency Step-Up DC/DC Converter	$V_{IN}$ : 1.2V to 15V, $V_{OUT(MAX)}$ = 34V, $I_Q$ = 20µA, $I_{SD}$ < 1µA, MS10 Package
LT1945(Dual)	Dual Output, Boost/Inverter, 350mA ( $I_{SW}$ ), Constant Off-Time, High Efficiency Step-Up DC/DC Converter	$V_{IN}$ : 1.2V to 15V, $V_{OUT(MAX)}$ = ±34V, $I_Q$ = 40µA, $I_{SD}$ < 1µA, MS10 Package
LT1946/LT1946A	1.5A ( $I_{SW}$ ), 1.2MHz/2.7MHz, High Efficiency Step-Up DC/DC Converter	$V_{IN}$ : 2.45V to 16V, $V_{OUT(MAX)}$ = 34V, $I_Q$ = 3.2mA, $I_{SD}$ < 1µA, MS8 Package
LT3461/LT3461A	0.3A ( $I_{SW}$ ), Inverting 1.3MHz/3MHz High Efficiency Step-Up DC/DC Converter with Integrated Schottky Diodes	$V_{IN}$ : 2.5V to 16V, $V_{OUT(MAX)}$ = 38V, $I_Q$ = 2.8mA, $I_{SD}$ < 1µA, ThinSOT Package
LT3462/LT3462A	300mA ( $I_{SW}$ ), Inverting 1.2MHz/2.7MHz DC/DC Converter with Integrated Schottky Diodes	$V_{IN}$ : 2.5V to 16V, $V_{OUT(MAX)}$ = -38V, $I_Q$ = 2.9mA, $I_{SD}$ < 10µA, ThinSOT Package
LT3463/LT3463A	Dual Output, Boost/Inverter, 250mA ( $I_{SW}$ ), Constant Off-Time, High Efficiency Step-Up DC/DC Converter with Integrated Schottkys	$V_{IN}$ : 2.3V to 15V, $V_{OUT(MAX)}$ = 40V, $I_Q$ = 40µA, $I_{SD}$ < 1µA, DFN Package
LT3464	85mA ( $I_{SW}$ ), High Efficiency Step-Up DC/DC Converter with Integrated Schottky and PNP Disconnect	$V_{IN}$ : 2.3V to 10V, $V_{OUT(MAX)}$ = 34V, $I_Q$ = 25µA, $I_{SD}$ < 1µA, ThinSOT Package
LT3467/LT3467A	1.1A, 1.3MHz/2.1MHz Step-Up DC/DC Converter with Integrated Soft-Start in ThinSOT	$V_{IN}$ : 2.4V to 16V, $V_{OUT(MAX)}$ = 40V, $I_Q$ = 1mA, $I_{SD}$ < 1µA, ThinSOT Package