

## Silicon NPN Power Transistors

## 2SD2400

## DESCRIPTION

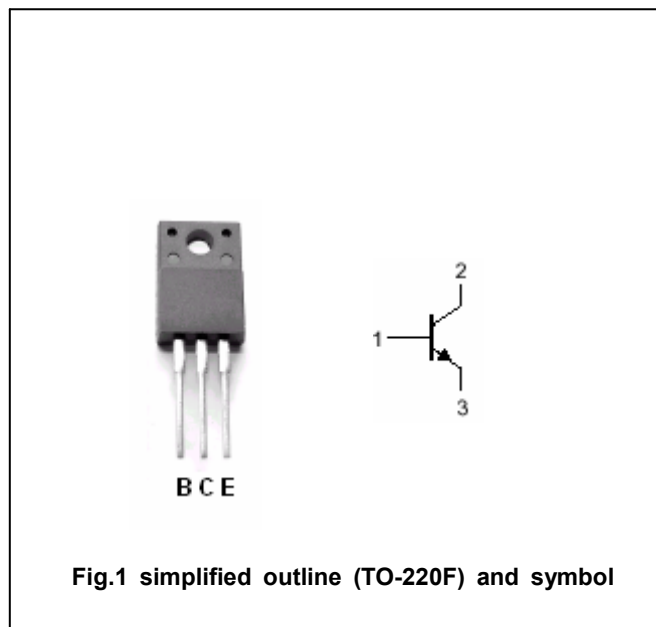
- With TO-220F package
- Complement to type 2SB1569
- High transition frequency
- Collector power dissipation:  
 $P_C=20W(T_C=25^\circ)$

## APPLICATIONS

- For low frequency power amplifier applications

## PINNING

PIN	DESCRIPTION
1	Base
2	Collector
3	Emitter

Absolute maximum ratings ( $T_a=25^\circ$ )

SYMBOL	PARAMETER	CONDITIONS	VALUE	UNIT
$V_{CBO}$	Collector-base voltage	Open emitter	120	V
$V_{CEO}$	Collector-emitter voltage	Open base	120	V
$V_{EBO}$	Emitter-base voltage	Open collector	5	V
$I_C$	Collector current		1.5	A
$I_{CM}$	Collector current-peak		3	A
$P_C$	Collector dissipation	$T_a=25^\circ$	2.0	W
		$T_C=25^\circ$	20	
$T_j$	Junction temperature		150	$^\circ$
$T_{stg}$	Storage temperature		-55~150	$^\circ$

## Silicon NPN Power Transistors

## 2SD2400

## CHARACTERISTICS

T<sub>j</sub>=25°C unless otherwise specified

SYMBOL	PARAMETER	CONDITIONS	MIN	TYP.	MAX	UNIT
V <sub>(BR)CEO</sub>	Collector-emitter breakdown voltage	I <sub>C</sub> =1mA ; I <sub>B</sub> =0	120			V
V <sub>(BR)CBO</sub>	Collector-base breakdown voltage	I <sub>C</sub> =50μA ; I <sub>E</sub> =0	120			V
V <sub>(BR)EBO</sub>	Emitter-base breakdown voltage	I <sub>E</sub> =50μA ; I <sub>C</sub> =0	5			V
V <sub>CEsat</sub>	Collector-emitter saturation voltage	I <sub>C</sub> =1A ; I <sub>B</sub> =0.1A			2.0	V
V <sub>BEsat</sub>	Base-emitter saturation voltage	I <sub>C</sub> =1A ; I <sub>B</sub> =0.1A			1.5	V
I <sub>CBO</sub>	Collector cut-off current	V <sub>CB</sub> =120V ; I <sub>E</sub> =0			1.0	μA
I <sub>EBO</sub>	Emitter cut-off current	V <sub>EB</sub> =4V ; I <sub>C</sub> =0			1.0	μA
h <sub>FE</sub>	DC current gain	I <sub>C</sub> =0.1A ; V <sub>CE</sub> =5V	60		320	
f <sub>T</sub>	Transition frequency	I <sub>C</sub> =0.1A ; V <sub>CE</sub> =5V ; f=30MHz		80		MHz
C <sub>OB</sub>	Collector output capacitance	I <sub>E</sub> =0 ; V <sub>CB</sub> =10V ; f=1MHz		20		pF

◆ h<sub>FE</sub> Classifications

D	E	F
60-120	100-200	160-320

Silicon NPN Power Transistors

2SD2400

PACKAGE OUTLINE

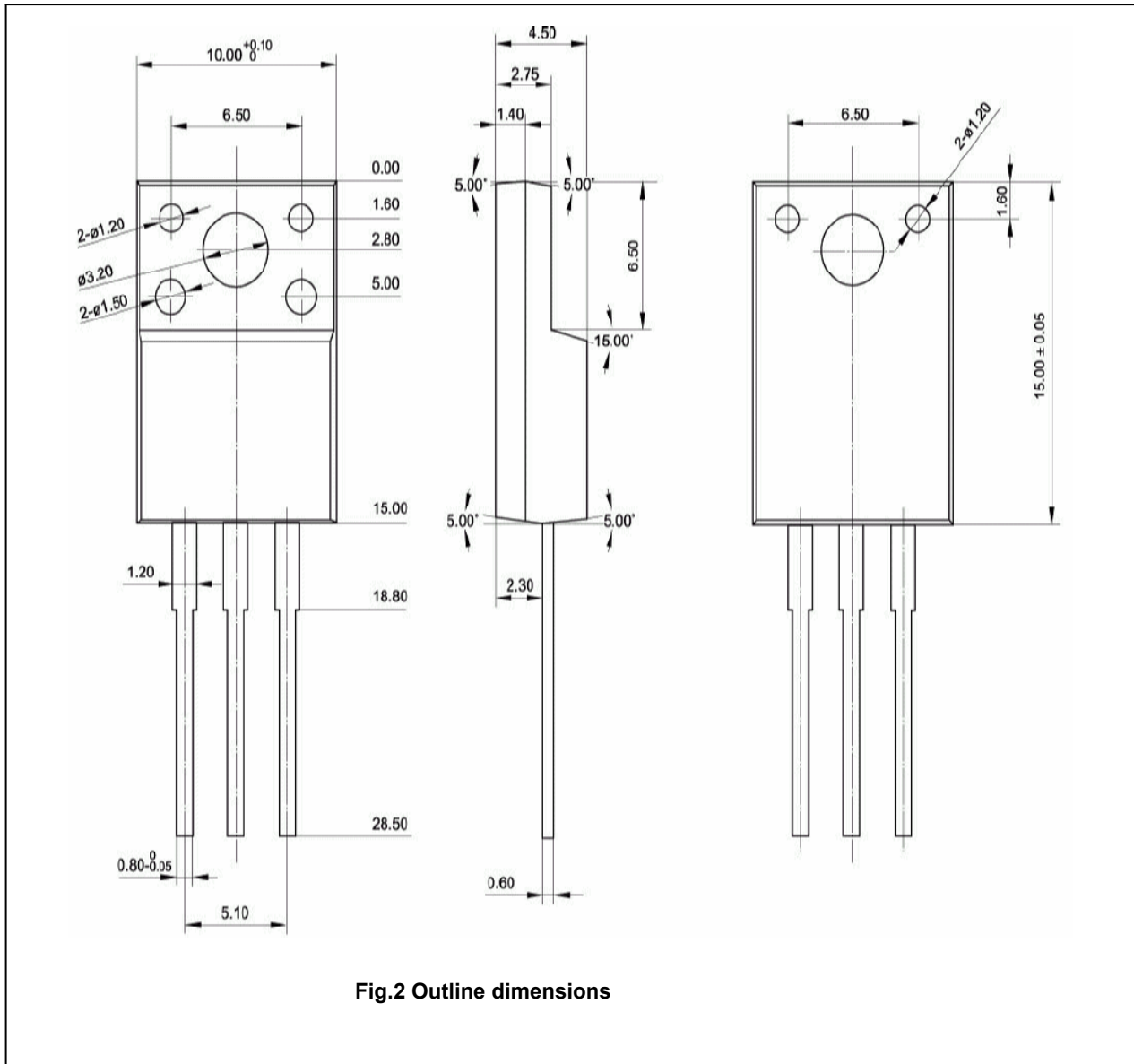


Fig.2 Outline dimensions