

# RP12/24ADA ADA Strobe Retrofit Plate



A Division of Pittway  
3825 Ohio Avenue, St. Charles, IL 60174  
1-800-SENSOR2 (736-7672), Fax 630-377-6495  
<http://www.systemsensor.com>



## Models Available

RP2415ADA  
RP241575ADA  
RP2475ADA  
RP24110ADA  
RP1215ADA  
RP121575ADA

## Features

- Fits most 4" or 5" square horn or speaker
- Multiple light intensities
  - 24 VDC: 15, 15/75, 75 or 110 cd models
  - 12 VDC: 15 or 15/75 cd models
- Low strobe current draw. 93 mA on the RP241575ADA with regulated power
- Low installed cost
- No measurable strobe in-rush in excess of peak current
- Intended for primary signaling
- "Installer Easy"
  - Plug-in terminal strip
  - Wire strip gauge and wiring diagram on back
- Wall mount only

System Sensor RP12/24ADA Series Strobe Retrofit Plate complies with the **Americans with Disabilities Act (ADA)** and the demanding requirements of the **UL 1971 Standard for the Hearing Impaired**. The 15/75 version is UL 1971 listed at 15 cd.

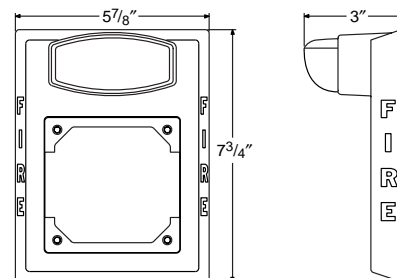
The new model RP12/24ADA Series Retrofit Plate allows adding an ADA compliant visible notification to most existing 4 or 5 inch square horns or speakers. To insure compliance with ADA and UL 1971, use the System Sensor 75 candela models for non-sleeping areas, and the 110 candela models for sleeping areas.

Available in red only at 12 or 24 VDC, the RP12/24ADA Series Strobe Retrofit Plate can be mounted directly to a standard 4" backbox.

## Specifications

Input terminals:	18 – 12 AWG
Shipping Weight:	
RP12/24ADA	
Series Strobes:	14 oz. (397g)
Operating	
Temperature Range:	32° F to 120° F (0° C to 49° C)
Mounting:	
Surface:	4" × 4" × 1 1/2" standard backbox (2 1/8" recommended)
Semiflush:	4" × 4" × 1 1/2" standard backbox (2 1/8" recommended)

### Dimensions:



## General Description

The new model RP12/24ADA Series Retrofit Plate allows adding an ADA compliant visible notification appliance to most existing 4 or 5 inch square horns or speakers. All RP12/24ADA Series Strobe Retrofit Plates are suitable for primary signaling in public mode life safety applications. The Strobe Retrofit Plates can be connected to the alarm indicating circuit of a UL listed fire alarm control panel.

They are compatible with DC line supervision. Panels may have full-wave rectified, unfiltered power supplies. The Strobe Retrofit Plates are available for 24VDC operation or 12VDC operation. The strobe features low current draw with no measurable in-rush in excess of peak current. The Strobe Retrofit Plate is intended for wall mounting only to a 4" square electrical backbox.

## Electrical Ratings – Strobe Only

Model	Supply Voltage Range	Peak Operating Current (mA)	In-rush Current in Excess of Peak Operating Current (mA)	Average Operating Current from Regulated Supply (mA)	Average Operating Current from Full Wave Rectified, Unfiltered Supply (mA)*
RP2415ADA	20–30VDC	180	0	75	90
RP241575ADA	20–30VDC	220	0	93	120
RP2475ADA	20–30VDC	400	0	170	200
RP24110ADA	20–30VDC	500	0	210	245
RP1215ADA	10.5–17VDC	380	0	170	200
RP121575ADA	10.5–17VDC	560	0	225	270

\* For additional information, see installation manual D900-09-00.

Actual 12 volt operating voltage cannot be less than 8.5 VDC or greater than 18.7 VDC; actual 24 volt operating voltage cannot be less than 16 greater than 33 VDC.

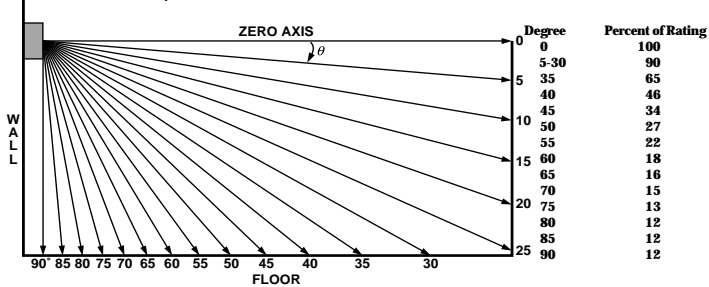
## Engineering Specifications

ADA Strobe Retrofit Plate shall be a System Sensor Model \_\_\_\_\_ listed to *Standard UL 1971 for the Hearing Impaired* and shall be approved for Fire Protective Service. The ADA Strobe Retrofit Plate series shall retrofit most 4" or 5" square horn or speaker into an ADA compliant visible notification device. Strobe Retrofit Plate shall be wired as a Primary Signaling Notification appliance. Strobe Retrofit Plate shall also comply with the Americans with Disabilities Act requirements for visible signaling appliances. Strobe Retrofit Plate shall operate on 12 or 24VDC from a regulated DC supply or full-wave rectified,

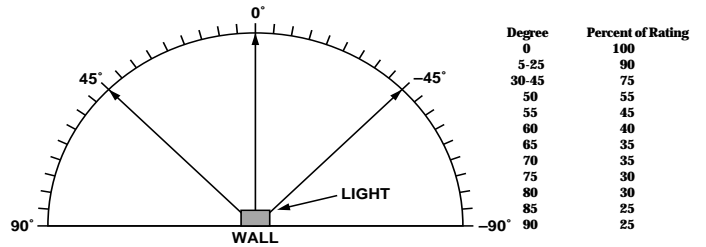
unfiltered supply. The Strobe Retrofit Plate shall be powered from a non-coded power supply when powered with horn or speaker. Strobe Retrofit Plate shall have no measurable in-rush current in excess of operating peak current. Visual signaling devices are to be installed in all non-sleeping/corridor and sleeping areas per plans and specifications. The strobe light shall consist of a xenon flash tube and associated lens/reflector system. All Strobe Retrofit Plates shall be capable of mounting to a standard 4" × 4" × 1½" backbox.

# Standard Light Distribution

## Vertical Dispersion

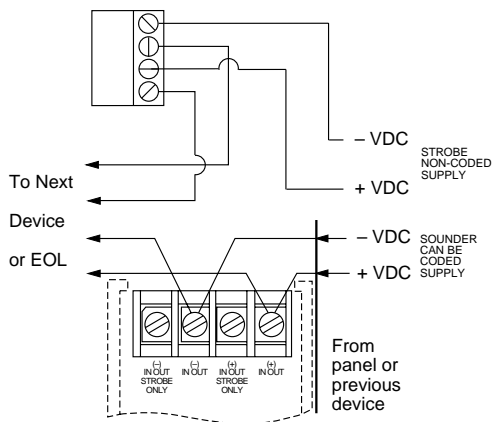


## Horizontal Dispersion

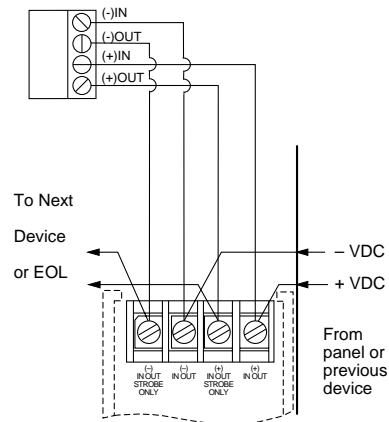


A polar light distribution in both horizontal and vertical directions is mandated for the strobes by the *Standard UL 1971 for the Hearing Impaired*, with specific minimum intensity percentages as shown in the graphs above. With its specially designed lens/reflector system, the RP12/24ADA Strobe Retrofit Plate Series meets or exceeds these requirements at all angles.

## Wiring



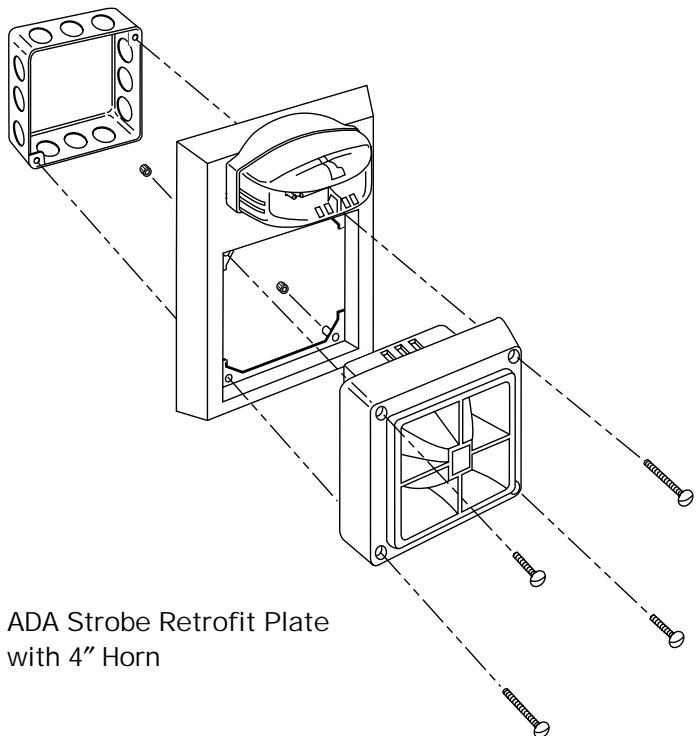
Independent Horn/Strobe Wiring



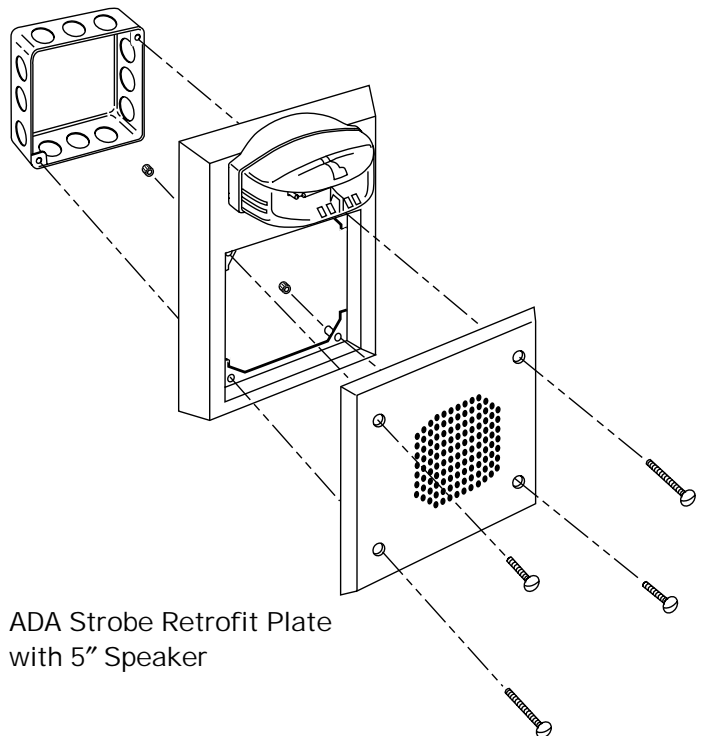
Note: Use uncoded supply only.

Combination Horn/Strobe Wiring

## Mounting



ADA Strobe Retrofit Plate with 4" Horn



ADA Strobe Retrofit Plate with 5" Speaker

## Ordering Information

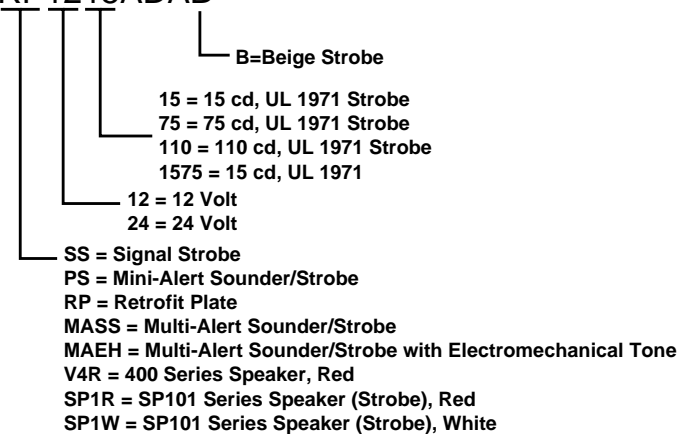
Models – ADA Compliant, UL 1971 Listed

<b>Strobe Retrofit Plates</b>	<b>Description</b>	<b>Operating Voltage</b>	<b>Strobe Current (Average mA)</b>	<b>Candela</b>
RP2415ADA	ADA Strobe Retrofit Plate	24 VDC	75	15
RP241575ADA	ADA Strobe Retrofit Plate	24 VDC	93	15/75
RP2475ADA	ADA Strobe Retrofit Plate	24 VDC	170	75
RP24110ADA	ADA Strobe Retrofit Plate	24 VDC	210	110
RP1215ADA	ADA Strobe Retrofit Plate	12 VDC	170	15
RP121575ADA	ADA Strobe Retrofit Plate	12 VDC	225	15/75*

\*Measured to be 75 cd at 0° viewing angle (See Light Distribution Graph).

## How to Order

### RP1215ADAB



## System Sensor Worldwide Distribution

### In Canada:

System Sensor Canada  
6581 Kitimat Road, Unit #7  
Mississauga, Ontario  
Canada L5N 3T5  
Telephone: 905-812-0767  
Fax: 905-812-0771

### In the United Kingdom:

System Sensor Europe, Ltd.  
Horsham Gates III, North St.  
Horsham, West Sussex  
RH13 5PJ, United Kingdom  
Telephone: 44-1403-276500  
Fax: 44-1403-276501

### In India:

System Sensor India  
A-204 Maheshwari Nagar  
Orkay Mills Lane  
Andheri East, Mumbai 400093  
Telefax: 91-022-8202564

### In the Far East:

System Sensor  
Pittway Far East, Ltd.  
Suite 706, World Shipping Centre  
7 Canton Road  
Tsimshatsui, Kowloon, Hong Kong  
Telephone: 852-2730-9090  
Fax: 852-2736-6580