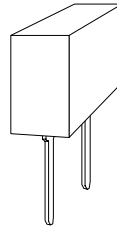


# Small Toroid RF Chokes

Miniature Two Lead Thru-hole Packages  
Excellent Electrical Performance - High Q



Applications Include  
 Satellite Communications  
 Microwave Equipment  
 Broadcast TV  
 Cable TV Systems  
 Test Equipment  
 AM/FM Radio  
 Receivers/Transmitters  
 Scanners

Electrical Specifications at 25° C

PARAMETER	MIN.	TYP.	MAX.	UNITS
Inductance <sup>1</sup>	312	390	468	μH
Q <sup>2</sup>		80		
DCR Pins 1-2		3.2		Ω
Self Resonance Frequency		3.8		MHz

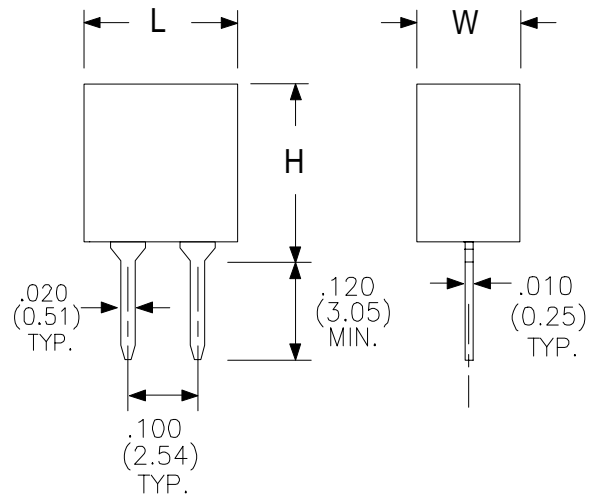
Flammability: Materials used in the production of these units meet requirements of UL94-VO and IEC 695-2-2 needle flame test.

1. Tested @ 100 kHz - 100 mV

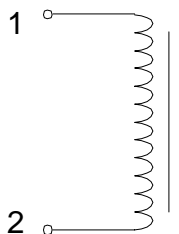
2. @ 1MHz

Dimensions in inches (mm)

Code	L	W	H
MT3	0.385 (9.78)	0.195 (4.95)	0.395 (10.03)



Schematic  
Diagram



RHOMBUS P/N: **L-11782F**

CUST P/N:

NAME:

DATE: 02/02/00

SHEET: 1 OF 1