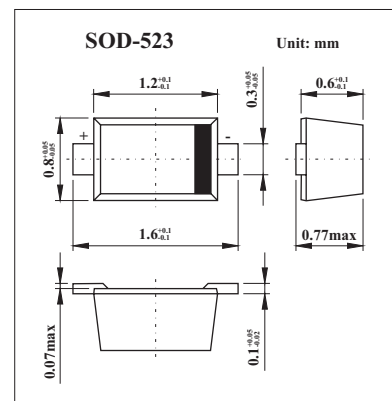


Schottky barrier diode

RB521S-30

■ Features

- Extremely Small surface mounting type.(EMD2)
- $I_o = 200$ mA guaranteed despite the size.
- Low V_F . ($V_F = 0.40$ V Typ. At 200 mA)

■ Absolute Maximum Ratings $T_a = 25^\circ\text{C}$

Parameter	Symbol	Limits	Unit
DC reverse voltage	V_R	30	V
Mean rectifying current	I_o	200	mA
Peak forward surge current *	I_{FSM}	1	A
Junction temperature	T_j	150	$^\circ\text{C}$
Storage temperature	T_{stg}	-40 to +125	$^\circ\text{C}$

* 60 Hz for 1

■ Electrical Characteristics $T_a = 25^\circ\text{C}$

Parameter	Symbol	Conditions	Min	Typ	Max	Unit
Forward voltage	V_F	$I_F = 200$ mA			0.6	V
Reverse current	I_R	$V_R = 10$ V			1	μA

■ Marking

Marking	B
---------	---