

RoHS Compliant Product

A suffix of "-C" specifies halogen & lead-free

TO-92

FEATURES

Power Dissipation

$$P_{CM} : 0.625 \text{ W (Tamb=25}^\circ\text{C)}$$

Collector current

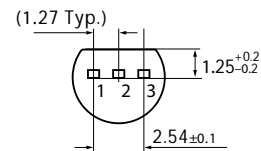
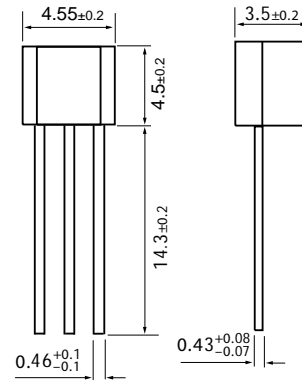
$$I_{CM} : -0.6 \text{ A}$$

Collector-base voltage

$$V_{(BR)CBO} : -160 \text{ V}$$

Operating and storage junction temperature range

$$T_J, T_{stg} : -55^\circ\text{C to } +150^\circ\text{C}$$



- 1: Emitter
- 2: Base
- 3: Collector

ELECTRICAL CHARACTERISTICS (Tamb=25°C unless otherwise specified)

Parameter	Symbol	Test conditions	MIN	TYP	MAX	UNIT
Collector-base breakdown voltage	$V_{(BR)CBO}$	$I_C = -100 \mu\text{A}, I_E = 0$	-160			V
Collector-emitter breakdown voltage	$V_{(BR)CEO}$	$I_C = -1 \text{ mA}, I_B = 0$	-150			V
Emitter-base breakdown voltage	$V_{(BR)EBO}$	$I_E = -10 \mu\text{A}, I_C = 0$	-5			V
Collector cut-off current	I_{CBO}	$V_{CB} = -120 \text{ V}, I_E = 0$			-0.1	μA
Emitter cut-off current	I_{EBO}	$V_{EB} = -4 \text{ V}, I_C = 0$			-0.1	μA
DC current gain	$h_{FE(1)}$	$V_{CE} = -5 \text{ V}, I_C = -1 \text{ mA}$	80			
	$h_{FE(2)}$	$V_{CE} = -5 \text{ V}, I_C = -10 \text{ mA}$	80		250	
	$h_{FE(3)}$	$V_{CE} = -5 \text{ V}, I_C = -50 \text{ mA}$	50			
Collector-emitter saturation voltage	$V_{CE(sat)}$	$I_C = -50 \text{ mA}, I_B = -5 \text{ mA}$			-0.5	V
Base-emitter saturation voltage	$V_{BE(sat)}$	$I_C = -50 \text{ mA}, I_B = -5 \text{ mA}$			-1	V
Transition frequency	f_T	$V_{CE} = -5 \text{ V}, I_C = -10 \text{ mA}$ $f = 30 \text{ MHz}$	100			MHz

CLASSIFICATION OF $h_{FE(2)}$

Rank	A	B	C
Range	80~160	120~180	150~250