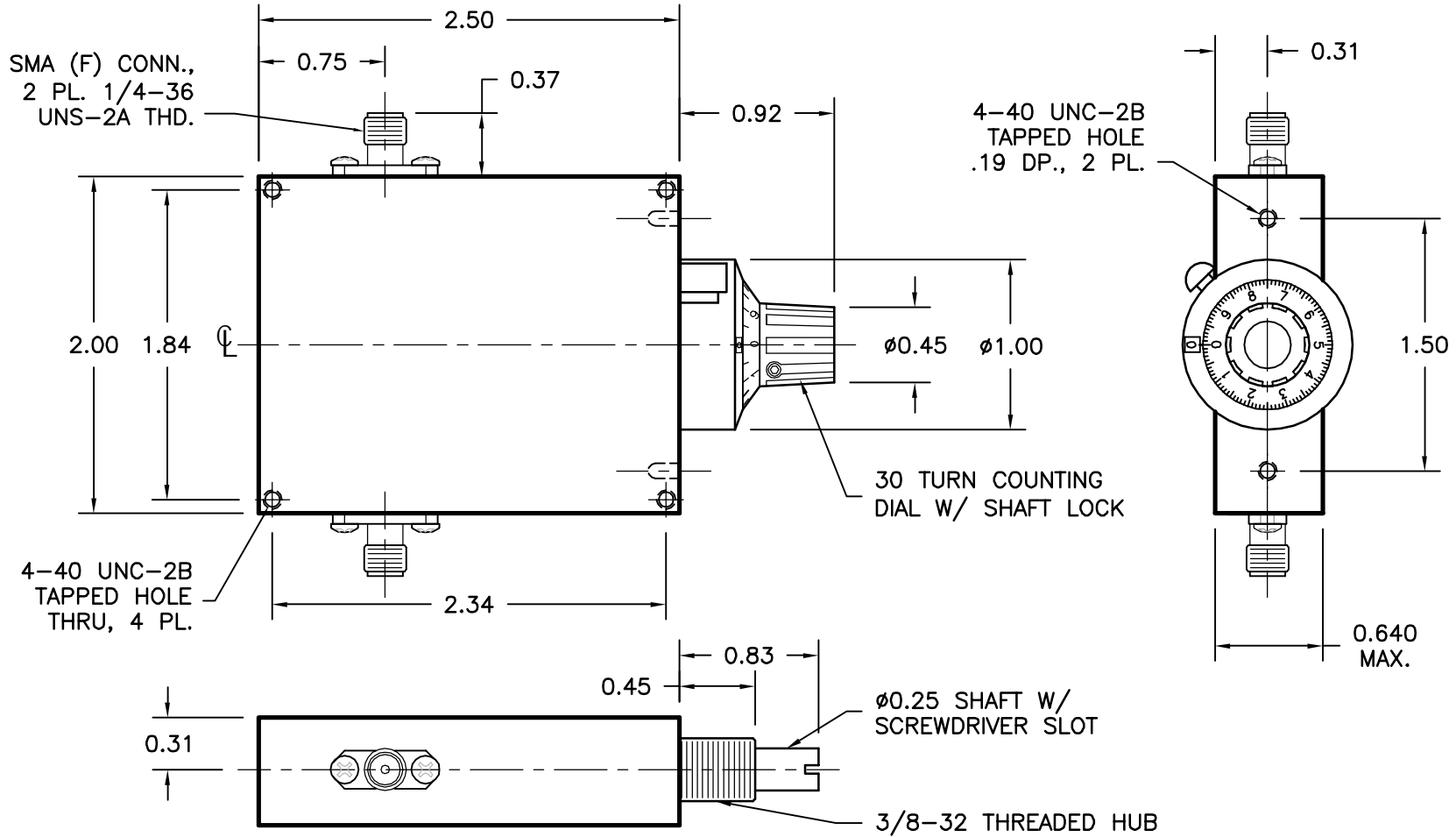


REV. -	AUTH. R.T.K.	DATE 4/5/01	INITIAL RELEASE	APPROVED
REV. A	AUTH. R.L.	DATE 7/28/04	DWG.# 2851W WAS: 4218, UPDATED TITLE BLOCK, DIMS.	APPROVED



VIEW WITHOUT DIAL

MATERIAL _	TREATMENT _	DRAWN R. LYNCH	DATE 4/5/01	
FINISH ATM STD. GREY	MOD NO. AV/AF88-XX	CHECKED	DATE	
OUTLINE, AV/AF88 ATTENUATOR, SMA, TURNS COUNTING DIAL		APPROVED	DATE	
		CAGE CODE: OR8N4	DO NOT SCALE DWG	
ADVANCED TECHNICAL MATERIALS, INC. 49 RIDER AVE., PATCHOGUE N.Y. 11772 TEL: (631) 289-0363 FAX: (631) 289-0358 http://www.atmmicrowave.com		UNLESS OTHERWISE NOTED DIMENSIONS ARE IN INCHES TOLERANCES ARE:	FRACTIONS ±1/64 DECIMALS ±.01 ANGLES ±1/2°	SHEET. 1/1
PROPRIETARY NOTICE: THE INFORMATION IN THIS DRAWING IS PROPRIETARY AND SHALL NOT BE USED OR DISCLOSED WITHOUT THE PRIOR WRITTEN CONSENT OF ATM, INC.		SCALE 1 : 1	DWG. NO. 2851W	REV. A