

P-tec Corp. Tel:(800)688-0613
 2405 Commerce Circle Tel:(719) 589 3122
 Alamosa Co. 81101 Fax:(719) 589 3592
 www.p-tec.net sales@p-tec.net



PD46 Four Digit 7 Segment 0.56" Display

Features

- *4 Digit .56" (14.22mm) Green Display
- *Multiplex Drive with 12 Pins
- *Low Current Requirements
- *High Light Output
- *IC Compatible
- *High Reliability
- *Gray Face, White Segments
- *RoHS Compliant

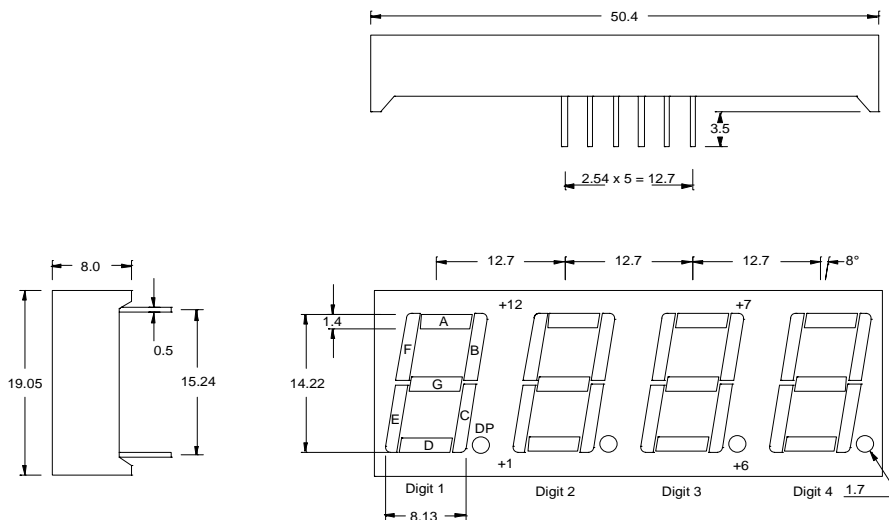
Absolute Maximum Ratings at T_A = 25 °C

Power Dissipation.....	78mW
Reverse Voltage (<100 μA).....	5.0V
Max Forward Current.....	30mA
Peak Forward Current (1/10 Duty Cycle, 0.1ms Pulse Width).....	100mA
Operating Temperature Range.....	-25°C to +85°C
Storage Temperature Range.....	-40°C to +100°C
Soldering Temperature (1.6mm below body).....	260° for 5 seconds

Electrical & Optical Characteristics at T_A = 25 °C

Part Number		Emitting Color	Chip Material	Dominant Wave Length	Peak Wave Length	Forward Voltage @20mA (V)		Luminous Intensity @10mA (mcd)	
						Typ	Max	Min	Typ
Common Anode	Common Cathode			nm	nm				
PD46-CAMG13	PD46-CCMG13	Green	GaP	572	567	2.1	2.6	3.0	6.0

All Dimensions are in **Millimeters**. Tolerance is ± 0.25mm unless otherwise specified. The Slope Angle of any Pin maybe ± 5° max.



Function of Pin #	
Com Anode Pin #	Com Cathode Pin #
1 Cathode E	1 Anode E
2 Cathode D	2 Anode D
3 Cathode DP	3 Anode DP
4 Cathode C	4 Anode C
5 Cathode G	5 Anode G
6 Digit 4	6 Digit 4
Common Anode	Common Cathode
7 Cathode B	7 Anode B
8 Digit 3	8 Digit 3
Common Anode	Common Cathode
9 Digit 2	9 Digit 2
Common Anode	Common Cathode
10 Cathode F	10 Anode F
11 Cathode A	11 Anode A
12 Digit 1	12 Digit 1
Common Anode	Common Cathode