



PM033-115-8025B-4 PM033-230-8025B-4

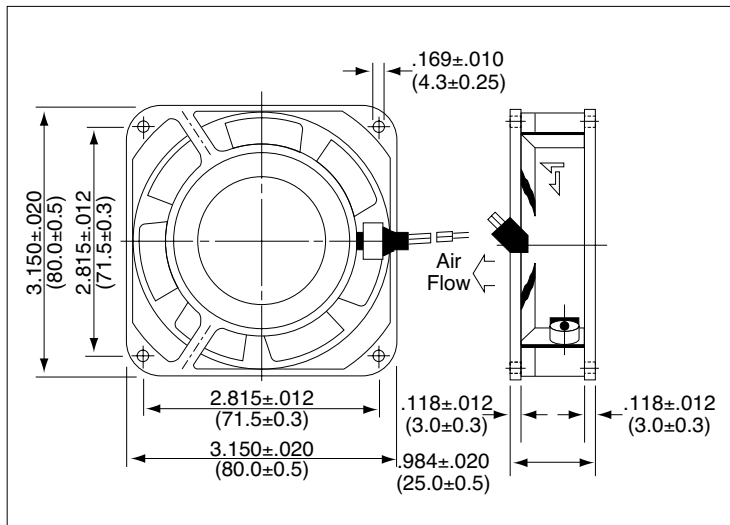
Features

Size:	80 x 80 x 25 mm (3.2" x 3.2" x 1.0")
Airflow:	33 CFM
Weight:	227 grams (8 oz)
Noise:	33 dBA
Lead Wire:	AWG22
Impeller:	Reinforced Plastic (94V-0)
Frame:	Aluminum Alloy
Bearings:	Sealed Ball

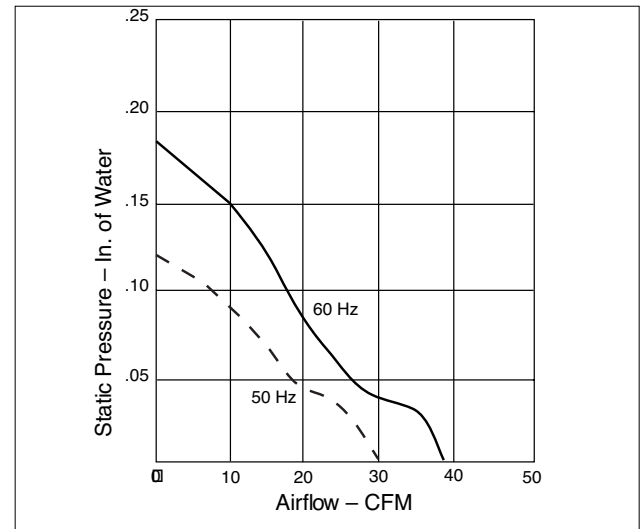
 UL E101153
  CUL E10115

• RoHS Compliant

Dimensions – inches mm



Air Flow vs Air Pressure



Performance

Type	Rated Voltage (V)	Operating Frequency (Hz)	Input Power (W) (@ 60 Hz)	Max Air Flow (CFM)	Max Air Pressure (In H ₂ O)	Noise* (dBA)	Operating Temperature (°C)	Life Expectancy (Hr) (@ 20 ±15°C)
PM033-115-8025B-4	115	50/60	10	33	0.18	33	-20~ +85	60,000
PM033-230-8025B-4	230	50/60	10	33	0.18	33	-20~ +85	60,000

*Measured 1 m from intake

Product specifications contained herein may be changed without prior notice.

It is therefore advisable to contact Purdy Electronics before proceeding with the design of equipment incorporating this product.